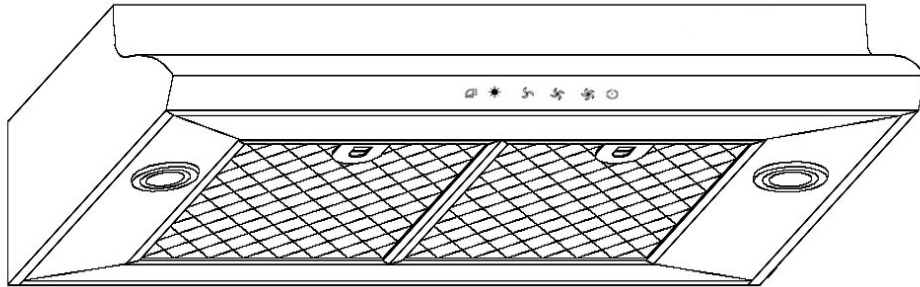


Brillia™ By KOBE Range Hoods

INSTALLATION AND OPERATION MANUAL

For Residential Use Only

Model No.UB4130W



CAUTION:
Read and follow all safety rules and operating instructions before first use of this product.

- Safety Precautions
- Installation
- Operation
- Maintenance
- Troubleshooting
- Parts List



◀ READ AND SAVE THESE INSTRUCTIONS ▶

Please read these instructions carefully before attempting to install, operate or service the product described. Failure to comply with instructions could result in personal injury and/or property damage. Please retain this booklet for future reference.

Table of Contents

General Safety Information	2
Installation	5
Measurement Diagram	8
Operation	8
Maintenance	9
Specification	10
Circuit Diagram	10
Troubleshooting	10
Parts List	11
Disclaimer	12
Warranty	13

INSTALLATION INSTRUCTIONS CAUTION: Before starting, turn off the circuit breaker or remove the appropriate fuse to disconnect power source before installing fixture.

THIS PRODUCT MUST BE INSTALLED IN ACCORDANCE WITH THE APPLICABLE INSTALLATION CODE BY A PROFESSIONAL WHO IS FAMILIAR WITH THE CONSTRUCTION AND OPERATION OF THE PRODUCT AND THE HAZARDS INVOLVED.

GENERAL SAFETY INFORMATION

Read the entire instruction booklet before operating the range hood.

WARNING

TO REDUCE THE RISK OF FIRE, ELECTRIC SHOCK, OR INJURY, OBSERVE THE FOLLOWING:

- Make certain that the electric service supply voltage is 120V, 60Hz.
- Installation and electrical wiring must be done by qualified professionals and in accordance with all applicable codes and standards, including fire-rated construction, National Electrical Code (NEC) and the Occupation Safety and Health Act (OSHA).
- Always disconnect the power source before working on or near the fan, motor or electrical box.
- Use this unit only in the manner intended by the manufacturer. If you have questions, contact the manufacturer at the address or telephone number listed in the warranty.
- Always check that all the electrical parts (lights, exhaust device), are off when the appliance is not being used.
- To reduce the risk of fire, use only metal ductwork.
- This unit must be grounded.
- When cutting or drilling into wall or ceiling, do not damage electrical wiring and other hidden utilities.
- Ducted fans must always be vented to the outdoors.

CAUTION: For general ventilating use only. Do not use to exhaust hazardous or explosive materials and vapors.

CAUTION: To reduce risk of fire and to properly vent air, be sure to duct air outside – do not vent exhaust air into spaces within walls ceilings, attics, crawl spaces, or garages.

- Sufficient air is needed for proper ventilation to prevent back drafting. Follow the heating equipment manufacturer's guideline and safety standards such as those published by the National Fire Protection Association (NFPA), and the American Society for Heating, Refrigeration and Air Conditioning Engineers (ASHRAE), and local code authorities.

WARNING

TO REDUCE THE RISK OF A RANGE TOP GREASE FIRE:

- Keep fan, filters and grease laden surface clean.
- Always turn hood ON when cooking.
- Use high range setting on range only when necessary. Heat oil slowly on low to medium setting.
- Don't leave range unattended when cooking.
- Always use cookware and utensils appropriate for the type and amount of food being prepared.
- Clean ventilating fans frequently. Grease should not be allowed to accumulate on fan or filter.
- Always use cookware appropriate for the size of the surface element.

WARNING

WHAT TO DO IN THE EVENT OF A RANGE TOP GREASE FIRE:*

- **SMOTHER FLAMES** with a tight fitting lid, cookie sheet, or other metal tray, then turn off the gas burner or electric element. **BE CAREFUL TO PREVENT BURNS.** If the flames do not go out immediately, **EVACUATE AND CALL THE FIRE DEPARTMENT.**
- **NEVER PICK UP A FLAMING PAN** – you may be burned.
- **DO NOT USE WATER**, including wet dishcloths or towels – violent steam explosion will result.
- Use an extinguisher **ONLY** if:
 1. You know you have a Class ABC extinguisher and you already know how to operate it.
 2. The fire is small and contained in the area where it started.
 3. The fire department is being called.
 4. You can fight the fire with your back to an exit.

*Based on "Kitchen Fire Safety Tips" published by NFPA.

CAUTION

- For general ventilating use only. Do not use to exhaust hazardous or explosive materials and vapors.
- To avoid motor bearing damage and noisy and/or unbalanced fans, keep drywall spray, construction dust, etc. off power unit.
- For best capture of cooking impurities, your range hood should be mounted so that the bottom of the hood is 27"-30" above the cooking surface.
- Please read specification label on product for further information and requirements.

The range hood must only be used for the exhaust of cooking fumes in home kitchens. The manufacturer disclaims all liability for any other use of the appliance.

INSTALLATION



SAFETY WARNING

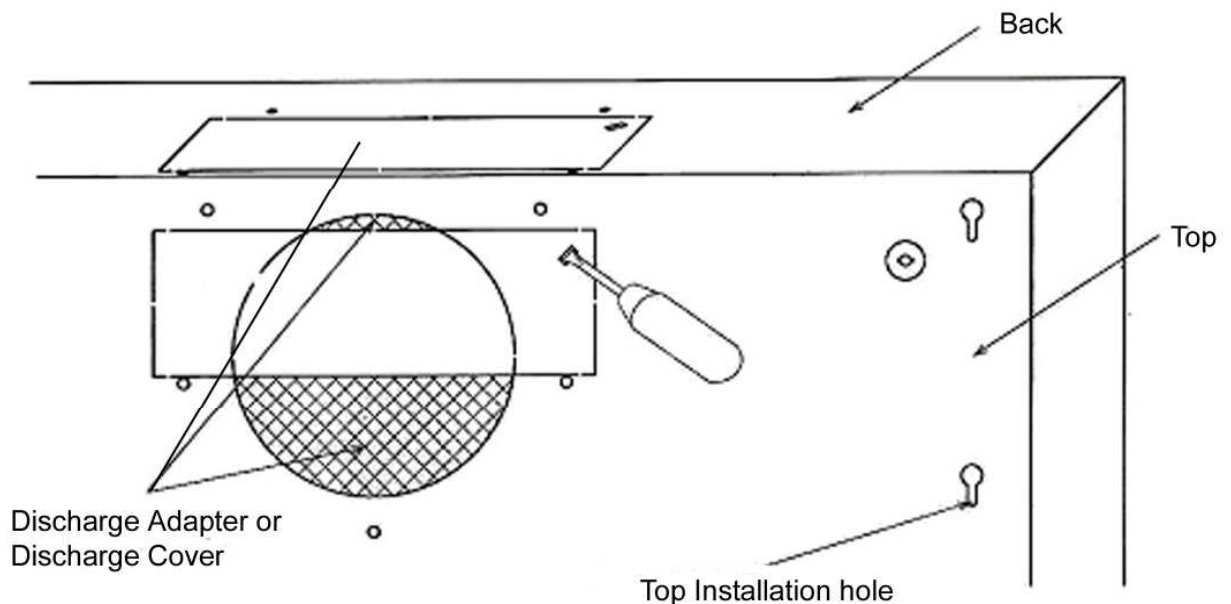
HOOD MAY HAVE VERY SHARP EDGES; PLEASE WEAR PROTECTIVE GLOVES IF IT IS NECESSARY TO REMOVE ANY PARTS FOR INSTALLING, CLEANING, OR SERVICING.

Please read entire instruction before proceeding.

Preparation before Installation

NOTE: TO AVOID DAMAGE TO YOUR HOOD, PREVENT DEBRIS FROM ENTERING THE VENT OPENING.

- Determine which venting method is best for your application (Fig.1).
- Decide the location of the venting pipe from the hood to the outside.
- A straight, short venting run will allow the hood to perform more efficiently.
- Try to avoid as many transitions, elbows, and long run as possible. This may reduce the performance of the hood.
- A rigid metal ductwork is recommended. Do not use plastic or metal foil ductwork.
- The size of the ductwork should be uniform.
- Peel protective film off the hood (if any).
- For installing under the cabinets with recessed bottom, attach 4-inch wide wood filler strips (not included) on each side.
- Measure and create access opening for electrical wires under the cabinet.
- Use duct tape to seal the joints between pipe sections
- Temporarily wire the hood to test for proper operation before installation.



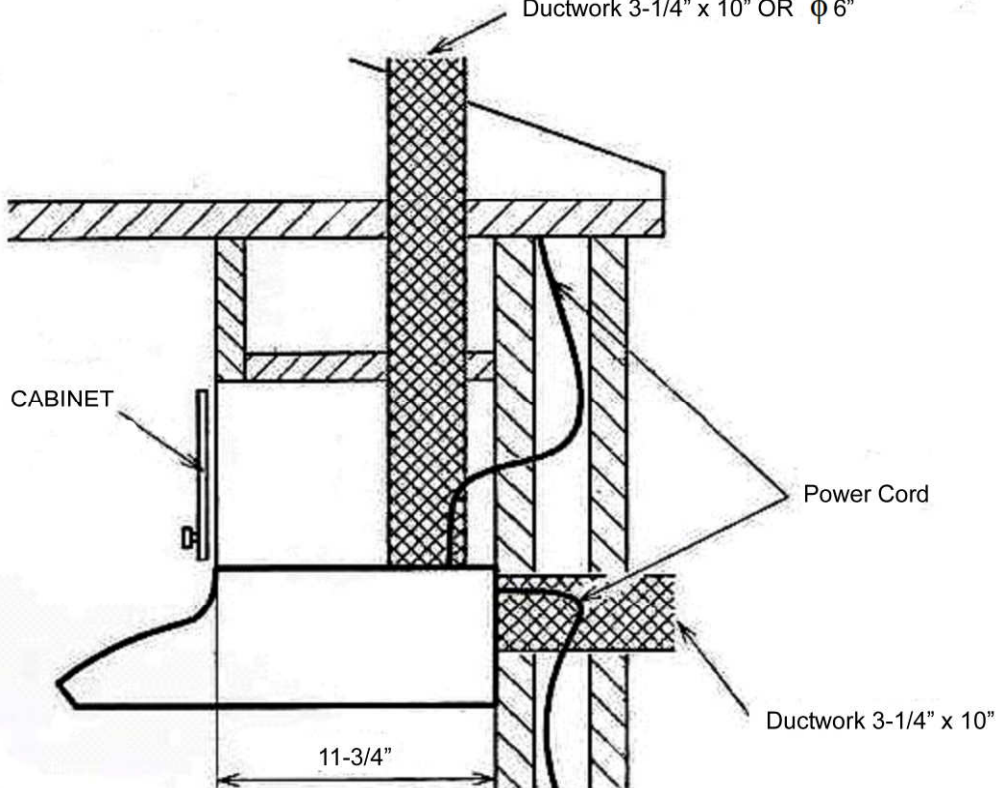
(Fig. 1)

Venting Methods

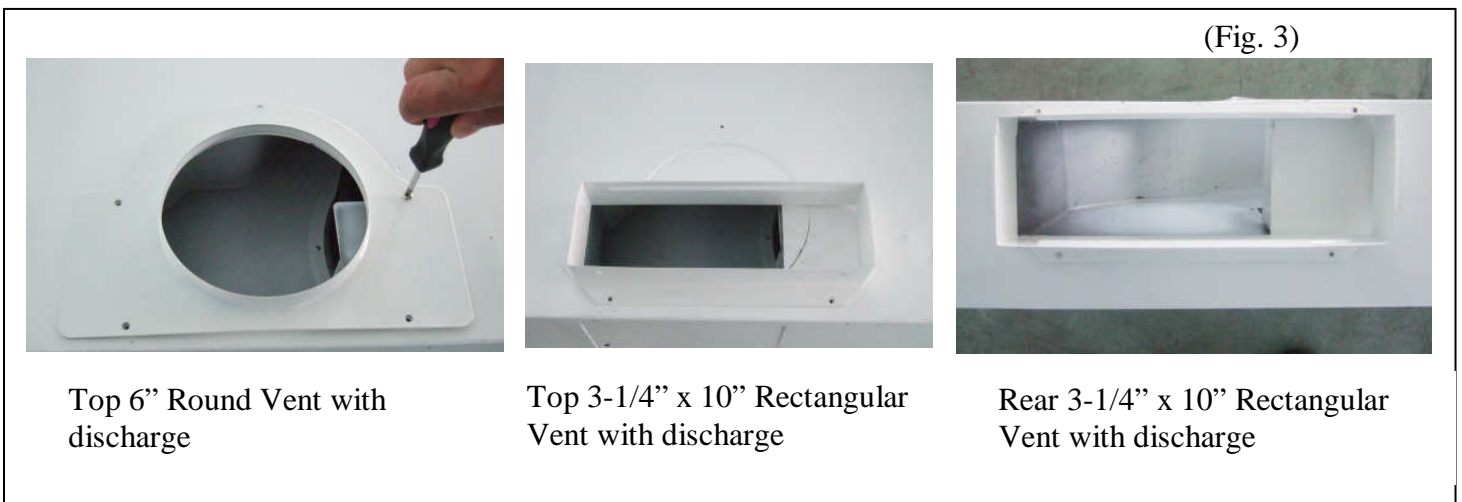
The ductwork system needed for installation is not included.

Determine whether the hood will discharge horizontally or vertically. The hood is shipped to discharge vertically but is easily converted to horizontal discharge by swapping the discharge adapter on top of the hood with the discharge cover on the back of the hood. Use duct tape to attach the discharge adapter and discharge cover to the hood (Fig.2). Knock out the exhaust hole on top of the range hood according to the size of the venting pipe, and attached the corresponding discharge (Included) to the opening as shown on Fig. 3.

Note: The use of a damper (not included) is solely up to the installer.
Ductwork 3-1/4" x 10" OR ϕ 6"



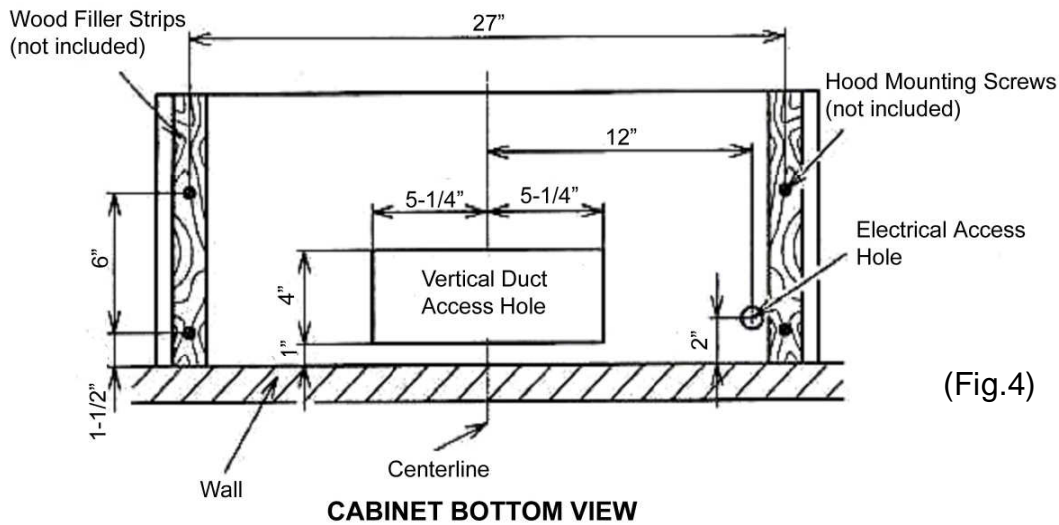
(Fig. 2)



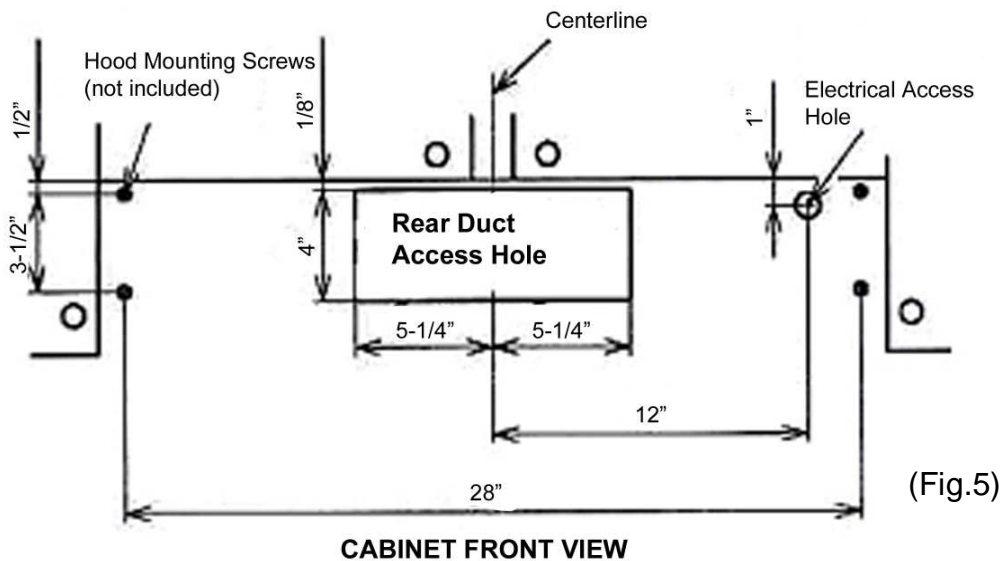
CAUTION:

- If required to move the cooking range to install the hood, turn off the power on an electric range at the main electrical box. SHUT OFF THE GAS BEFORE MOVING A GAS RANGE.
- It is recommended that the vent system be installed before hood is installed.
- Do not cut joist or stud unless absolutely necessary. If a joist or stud must be cut, then a supporting frame must be constructed.
- Use two or more people to move and install range. Failure to do so can result in back or other injury.

1. Recommended distance from cooking surface to the range hood bottom is 27"—30".
2. Determine and clearly mark a centerline on the bottom of the cabinet (Fig. 4 & 5). Please refer to Measurement Diagram on Page 8.



(Fig.4)

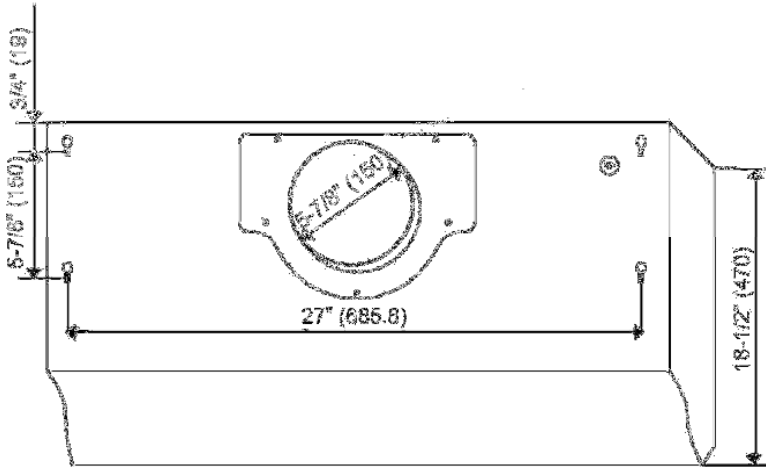


(Fig.5)

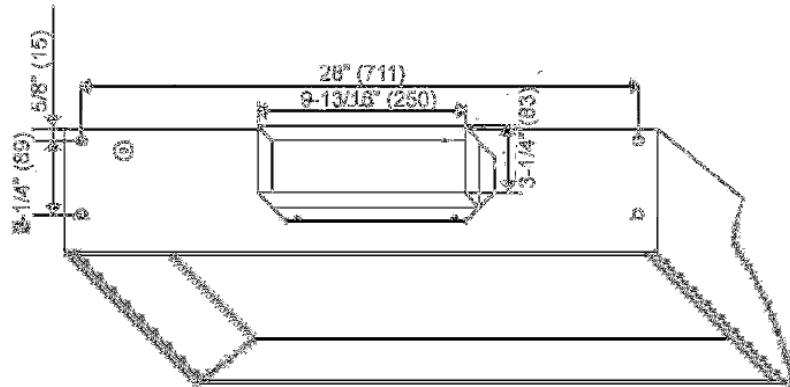
3. Measure and create access opening for electrical access and ductwork.
4. If the cabinet bottom is recessed above a support frame, wood filler strips (not included) need to be installed on the right and left sides of the cutout.

Measurement Diagram

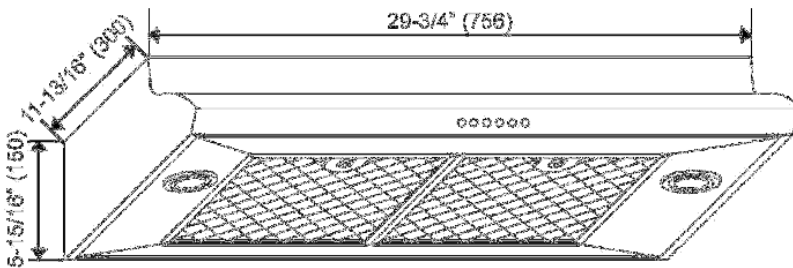
Top View



Back View



Front View




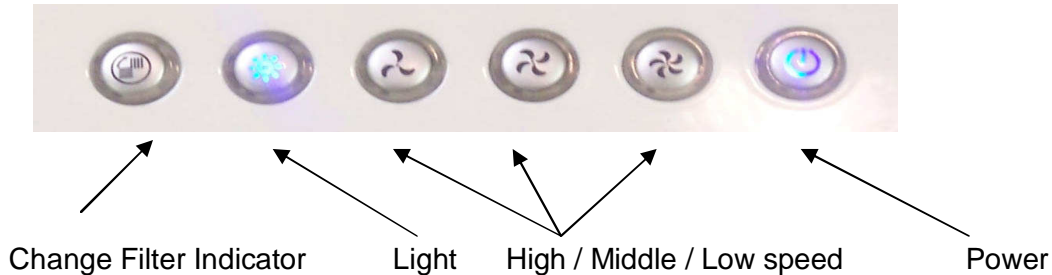
Operation

It is recommended to turn on the fan 15 minutes prior to cooking for optimal air-flow.


Fan: 3 push button switches. Push any button to select one of the three fan speeds. Press another button to change fan speed.

Stop: Press  button to turn fan off.

Lights: Press  to turn lights on and press again to turn lights off. Each press of Light Control will cycle the light intensity through high, low, and off.



Maintenance



SAFETY WARNING
TO REDUCE THE RISK OF ELECTRIC SHOCK, DISCONNECT FROM POWER SUPPLY BEFORE CLEANING.


Filters: Clean frequently using hot water and a mild detergent. Filters are top drawer dishwasher safe.

To clean hood: Remove filters. Use a damp cloth and a mild detergent to wipe all grease-laden surfaces. Do not use abrasive cloth, steel wool pads, or scouring powder. Do not use paper towel to clean stainless steel. Be careful when cleaning blower wheel to avoid misalignment or damage to the parts. **DO NOT ALLOW WATER TO ENTER MOTOR.** Make sure all surfaces are completely dry before re-installing filters and restoring power.

CAUTION: LIGHT BULB MAY BE HOT.

To replace light bulb: Make sure all control switches are off, and range hood is unplugged. Use a flat head screwdriver to pop out the protective covering. Gently pull out the defective light bulb and discard. Replace the light bulb (40W Maximum) and protective cover.

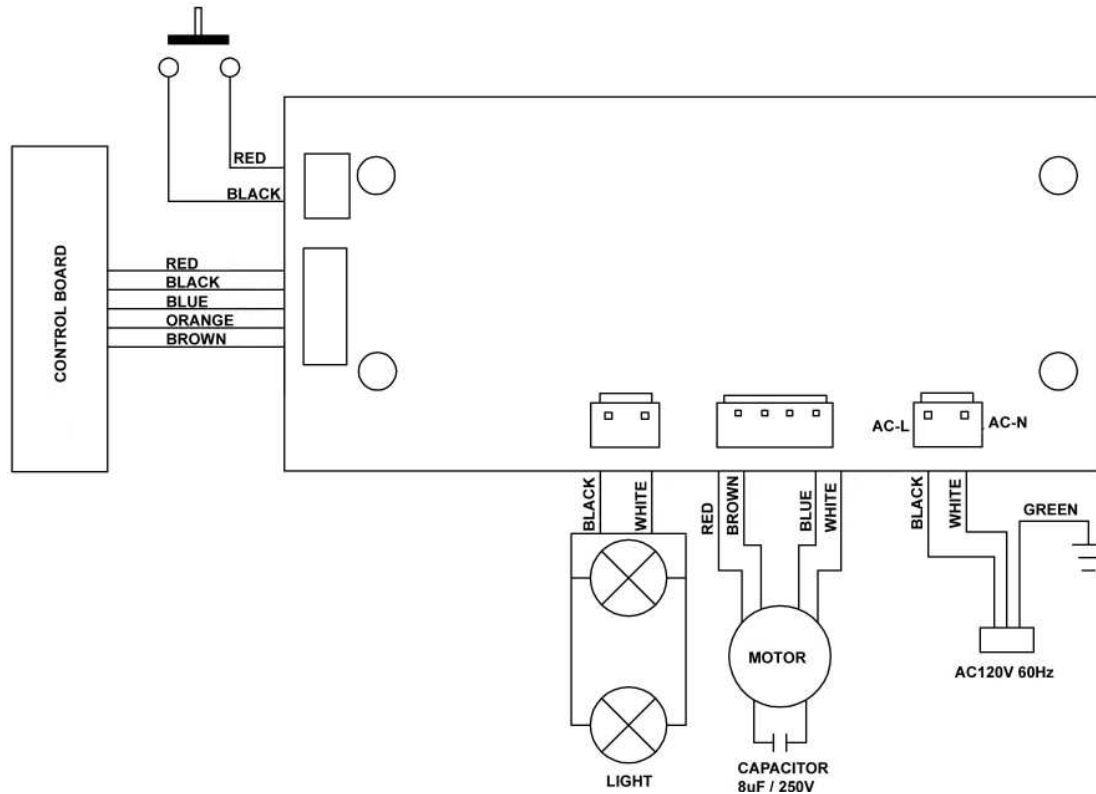
Aluminum Filter Change Indicator

The indication under symbol  will indicate when aluminum filter needs cleaning. Remove to clean the aluminum filter.

SPECIFICATIONS

MODEL NUMBER	UB4130W		
COLOR	White Color (powder coating)		
VOLTAGE	120V 60Hz, 1.5 A		
FAN CONTROLS	3-speed		
LIGHT	40W x 2		
HOOD DIMENSION (W x D x H)(in.)	29-3/4" x 18-1/2" x 5-7/8"		
	Low	Medium	High
AIR CAPACITY (CFM)	230	290	400
SONE (dB)	1.0 (40)	2.8 (55)	4.0 (60)

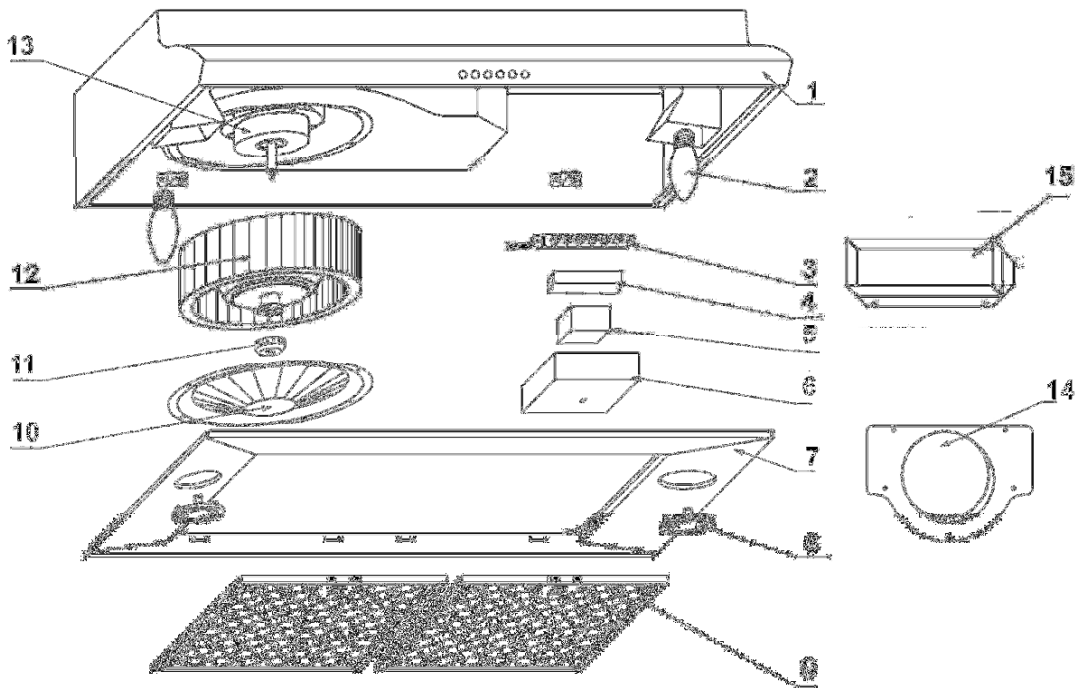
CIRCUIT DIAGRAM



Troubleshooting

Status	Method of fixing
Bulb does not light	<ul style="list-style-type: none"> • Check for blow bulb • Check for power connection
Motor does not work	<ul style="list-style-type: none"> • Check for power connection • Check whether the fan is blocked
Machine vibrates when switch on	<ul style="list-style-type: none"> • Check for damaged fan parts
Weak suction	<ul style="list-style-type: none"> • Check for proper installation. Be sure it is installed at proper height. • Open windows to improving air-flow

PARTS LIST



NO.	DESCRIPTION	PART NO.
1	Hood Casing	SY-30SS-3-001
2	Light Bulb	SY-30SS-5-026
3	Switch (Mechanical Switch)	SY-30SS-5-060
4	Control Board	SY-30SS-5-061
5	Capacitor	SY-30SS-5-022
6	Electrical Box	SY-15
7	Bottom Casing	SY-30SS-3-004
8	Light Cover	SY-30SS-3-011
9	Filter	SY-30SS-3-012
10	Safety Screen	SY-30SS-5-005
11	Locknut	SY-30SS-5-032
12	Squirrel Cage	SY-30SS-3-013
13	Motor	SY-30SS-5-031
14	6" round exhaust adapter	
15	3-1/4" x 10" exhaust adapter	

DISCLAIMER

1. **CAREFULLY INSPECT ALL ITEMS FOR DAMAGES BEFORE ACCEPTING DELIVERY. NOTE ANY DAMAGES ON THE FREIGHT BILL OR EXPRESS RECEIPT. REQUEST NAME AND SIGNATURE OF THE CARRIER'S AGENT AND KEEP COPY TO SUPPORT YOUR CLAIM.**

Upon acceptance of items, owner assumes responsibility for its safe arrival. Report damages to the carrier and file a claim immediately. Failure to do so may result in the denial of your claim. The carrier will furnish you with necessary forms for filing a claim.

DAMAGES CAUSED DURING TRANSIT ARE NOT COVERED UNDER OUR WARRANTY.

2. **PLEASE INSPECT CONTENTS OF PACKAGE(S) CAREFULLY UPON RECEIVING!**

We must be notified in writing of any damages and/or missing parts within the allocated days upon your receipt of package(s).

CLAIMS WILL NOT BE ACCEPTED AFTER THE ALLOCATED DAYS.

NOTE: ITEMS WERE THOROUGHLY TESTED AND CAREFULLY PACKED IN OUR FACTORY BEFORE SHIPPING.

3. Products must be returned in good working condition with ALL original parts and documentation packed in ALL original cartons, fillers and shipping cartons.

EXCHANGES OR RETURNS MAY NOT BE ACCEPTED IF ANY PACKAGING IS MISSING.

4. **MAKE SURE TO INSPECT THE HOOD FOR DAMAGES AND DEFECTS BEFORE INSTALLATION.** Appearance flaws of the hood found after installation and not affecting hood performance is not covered under our warranty for returns or exchanges. Service visits not covered under warranty will carry a service charge.

A) Before Installation: Return for exchange or refund (please see above for acceptable returns).

B) After Installation: **NO** exchange or refund.

WARRANTY

WARRANTY CERTIFICATE

KOBE Range Hoods warrants all products manufactured or supplied by it to be free from defects in workmanship and materials. Its obligations pursuant to this warranty are limited to a period of two years from the date of purchase and to the repair or replacement at its option and subject to the terms and conditions stated below, of any component part, which its examination shall disclose to be so defective.

TWO-YEAR WARRANTY SERVICE PERIOD

Any covered failure occurring within two years of original purchase arising from defective workmanship or material in manufacture will be repaired (or at our discretion, replaced) free of charge by an authorized KOBE Range Hoods Agent or KOBE Range Hoods as applicable. Keep proof of purchase (or original invoice) handy for inspection.

If the range hood is sold by the original purchaser during the warranty period the new owner is protected until expiration of the original purchaser's warranty.

CONDITIONS

The following conditions apply only in relation to the warranty expressly given in this certificate.

- 1) This warranty applies only:
 - a) within U.S.A. and Canada.
 - b) to range hoods used for PRIVATE SINGLE FAMILY USE (if used for COMMERCIAL or MULTIPLE FAMILY USE or other purposes, warranty will be voided).
- 2) Repair of any fault to be provided under this warranty shall not be provided:
 - a) if the identification number attached to the range hood has been altered, rendered illegible or removed;
 - b) if notice of the defect has not been given within the period applicable;
 - c) for failure of light bulbs or heat lamps;
 - d) for physical damage;
 - e) for surfaces damaged by use of improper chemical cleaning agents;
 - f) if the appliance has been:
 - i) subject to misuse, abuse, negligence, accident, incorrect installation or failure to follow the operating instructions;

- ii) connected to improper, inadequate or faulty electricity service or exhaust ducts, flues or duct cover, or operated using incorrect or contaminated lubricants;
 - iii) installed, maintained or operated otherwise than in accordance with the instructions furnished by KOBE Range Hoods including the improper use of detergents, bleaches, or cleaners.
 - g) for damage to range hood during transit, delivery, installation or removal;
 - h) for damage by or resulting from attempted repairs conducted by anyone other than our Authorized Service Agent.
 - i) noise or vibration caused by improper installation of range hood and/or damper.
- 3) The purchaser shall be responsible for any expenses involved in making the range hood readily accessible for servicing and where the range hood is installed outside the main sales territory of the retailer or service territory of the nearest approved KOBE Range Hoods Agent as applicable, for any traveling expenses and any costs of transporting the range hood or parts thereof to and from the dealer or Service Agent
- 4) The purchaser must produce proof of purchase together with this warranty certificate when making the claim.
- 5) Damages caused during shipment are not covered under our warranty.

CONSEQUENTIAL DAMAGE

The warrantor is not responsible for any consequential damage. SOME STATES DO NOT ALLOW THE EXCLUSION OF CONSEQUENTIAL DAMAGE SO THE ABOVE EXCLUSION MAY NOT APPLY TO YOU.

IMPLIED WARRANTIES/STATE LAW

Any implied warranties, including the implied warranty of merchantability and fitness for purpose, imposed on the sale by the laws of the state of sale are limited to two year from the date of original purchase. Some states do not allow limitations on the duration of implied warranties. This warranty gives you specific legal rights, and may also have rights, which vary from state to state.

SERVICE

For service contact:

KOBE Range Hoods
11775 Clark Street
Arcadia, CA 91006 U.S.A.
Tel: (626) 775-8880
Email: customer.service@KOBERangeHoods.com

PRODUCT REGISTRATION

Register Your Product!

Any covered failure occurring within two years of original purchase arising from defective workmanship or material in manufacture will be repaired or at our option the unit will be replaced free of charge by an authorized KOBE Range Hoods Agent or KOBE Range Hoods as applicable. Keep proof of purchase (original invoice) handy for inspection.

If the range hood is sold by the original purchaser during the warranty period the new owner is protected until expiration of the original purchaser's warranty. See warranty section for complete warranty coverage information.

This appliance has been manufactured, tested, and inspected to the standards required by KOBE Range Hoods.

PLEASE MAIL IN YOUR WARRANTY REGISTRATION CARD AND PROOF OF PURCHASE TO:

KOBE Range Hoods
Brillia Warranty Registration
11775 Clark Street
Arcadia, CA 91006
U.S.A.

RECORD THE FOLLOWING INFORMATION FOR YOUR RECORD:

Model No. _____

Serial No. _____

Purchased Date ____ / ____ / ____

Purchased From:

IMPORTANT: PLEASE KEEP A COPY OF YOUR SALE RECEIPT OR INVOICE HANDY WHEN REQUESTING SERVICE.

Brillia[™]

by KOBE Range Hoods
11775 Clark Street
Arcadia, CA 91006, U.S.A.

This Brillia hood is made for use in the USA and CANADA only. We do not recommend using this hood overseas as the power supply may not be compatible and may violate the electrical code of that country. **Using a Brillia hood overseas is at your own risk and will void your warranty.**