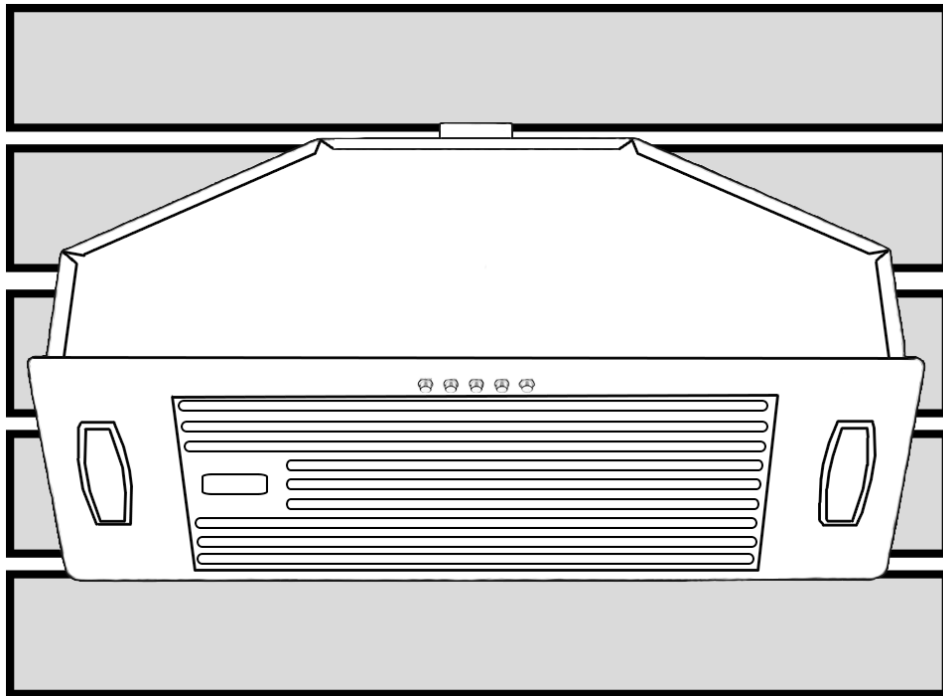


KOBE® KOBE Range Hoods

Premium Series

IN28 SQB-XX Series

Model No.: IN2830SQB-XX (30")



INSTALLATION INSTRUCTIONS
AND OPERATION MANUAL

IMPORTANT READ THIS FIRST

READ BEFORE INSTALLATION

1. Carefully check all contents of packages.
2. Thoroughly inspect the unit for any shipping damages, cosmetic damages or defects.
3. Have a certified contractor/electrician test the unit before installation.

IF THERE ARE ANY PROBLEMS:

1. **DO NOT INSTALL THE UNIT AND KEEP ALL ORIGINAL PACKAGING MATERIAL.**
2. Have your original invoice as proof of purchase and product serial number ready.
3. Contact your merchant for product replacement due to shipping damages, cosmetic damages or defects.
4. For all other issues, e-mail to customer.service@koberangehoods.com.

NO RETURN, NO REFUND, NO EXCHANGE IF:

1. PRODUCT HAS BEEN INSTALLED
2. KNOCK-OUT HOLES HAVE BEEN PUNCTURED
3. MISSING ORIGINAL PACKAGING MATERIAL AND/OR PARTS

[ENGLISH]

- READ AND SAVE THESE INSTRUCTIONS –

CONTENTS

IMPORTANT SAFETY INSTRUCTIONS	1
COMPONENTS OF PACKAGE	3
INSTALLATION.....	4
OPERATING INSTRUCTIONS	8
MAINTENANCE	9
SPECIFICATIONS	10
MEASUREMENTS & DIAGRAMS.....	11
PARTS LIST.....	13
CIRCUIT DIAGRAM.....	15
TROUBLESHOOTING	16
WARRANTY.....	17
WARRANTY INFORMATION FORM	19

- READ ALL INSTRUCTIONS CAREFULLY BEFORE STARTING -

ALL WIRING MUST BE DONE BY A PROFESSIONAL AND IN
ACCORDANCE WITH NATIONAL AND LOCAL ELECTRICAL CODES



IMPORTANT SAFETY INSTRUCTIONS

- PLEASE READ THIS SECTION CAREFULLY BEFORE INSTALLATION -

⚠ WARNING: TO REDUCE THE RISK OF FIRE, ELECTRIC SHOCK OR PERSONAL INJURY, OBSERVE THE FOLLOWING:

- 1) Installation and electrical wiring must be done by qualified professionals and in accordance with all applicable codes and standards, including fire-rated constructions.
- 2) When cutting or drilling into wall or ceiling, be careful not to damage electrical wiring or other hidden utilities.
- 3) Ducted fans must be vented to the outside.
 - a) Before servicing or cleaning unit, open the light panel and SWITCH POWER OFF AT SERVICE PANEL.
 - b) Clean all grease laden surfaces frequently. To reduce the risk of fire and to disperse air properly, make sure to vent air outside. DO NOT vent exhaust air into wall spaces, attics, crawl spaces or garages.

NOTE - This warranty is invalid without an authorized agent's receipt or if unit is damaged due to misuse, poor installation, improper use, mistreatment, negligence or any other circumstances beyond the control of KOBE RANGE HOODS authorized agents. Any repair carried out without the supervision of KOBE RANGE HOODS authorized agents will automatically void the warranty.

- KOBE RANGE HOODS will not be held responsible for any damages to personal property or real estate or any bodily injuries whether caused directly or indirectly by the hood.

⚠ WARNING: TO REDUCE THE RISK OF PERSONAL INJURY IN THE EVENT OF A RANGE TOP GREASE FIRE:

- 1) Keep all fan, baffle/spacer/filter/oil tunnel/oil container and grease-laden surfaces clean. Grease should not be allowed to accumulate on fan, baffle/spacer/filter/oil tunnel/oil container.
- 2) Always turn hood ON when cooking.
- 3) Use high settings on cooking range ONLY when necessary.
- 4) Do not leave cooking range unattended when cooking.
- 5) Always use cookware and utensils appropriate for the type and amount of food prepared.
- 6) Use this unit only in the manner intended by the manufacturer.
- 7) Before servicing, switch power off at service panel and lock service panel (if possible) to prevent power from switching on accidentally.
- 8) Clean ventilating fan frequently.

What to Do In the Event Of a Range Top Grease Fire

- SMOTHER FLAMES with a tight fitting lid, cookie sheet, or metal tray, and then turn off the burner. KEEP FLAMMABLE OR COMBUSTIBLE MATERIAL AWAY FROM FLAMES. If the flames do not go out immediately, EVACUATE THE AREA AND CALL THE FIRE DEPARTMENT or 911.
- NEVER PICK UP A BURNING PAN – You May Get Burned.
- DO NOT USE WATER, including wet dishcloths or towels – a violent steam blast will result.
- Use an extinguisher ONLY if:
 - a) You have a Class A, B, C extinguisher and know how to operate it.
 - b) The fire is small and contained in the area where it started.
 - c) The fire department has been called.
 - d) You can fight the fire with your back to an exit.

What to Do If You Smell Gas

- Extinguish any open flame.
- Do not try to turn on the lights or any type of appliance.
- Open all doors and windows to disperse the gas. If you still smell gas, call the Gas Company and Fire Department right away.

CAUTION

- 1) For general ventilation use only. Do not use to exhaust hazardous or explosive materials and vapors.
- 2) To reduce the risk of fire, use only metal ductwork. Sufficient air is needed for proper combustion and exhausting of gases through the flue (chimney) to prevent back drafting.
- 3) Follow the heating equipment manufacturer's guideline and safety standards such as those published by the National Fire Protection Association (NFPA), and the American Society for Heating, Refrigeration and Air Conditioning Engineers (ASHRAE), and code authorities.
- 4) Activating any switch on may cause ignition or an explosion.
- 5) Due to the size and weight of this hood, two people installation is recommended.

WARNING



ELECTRICAL SHOCK HAZARD – Can result in serious injury or death. Disconnect appliance from electric power before servicing. If equipped, the fluorescent light bulb contains small amounts of mercury, which must be recycled or disposed of according to Local, State, and Federal Codes.

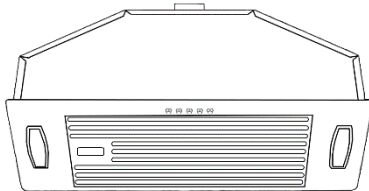
COMPONENTS OF PACKAGE

(Must keep all material for returns or refunds)

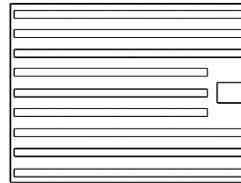
Range Hood Box

- {A} KOBE Range Hood
- {B} Warranty Registration Card x 1
- {C} Quick Reference Guide x 1
- {D} Baffle Filter x 1
- {E} 6" Round Plastic Collar x 1
- {F} Wire Cap x 3
- {G} Screw Package

{A}



{D}



{E}



{F}



{G}



M4 x 1/2" (4)

{B}



{C}



- FOR MORE INFORMATION, PLEASE VISIT OUR WEBSITE www.koberangehoods.com OR CONTACT KOBE RANGE HOODS customer.service@koberangehoods.com.

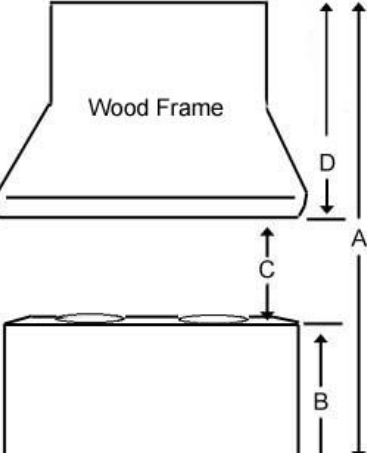
INSTALLATION

PLEASE READ ENTIRE INSTRUCTIONS BEFORE PROCEEDING

Calculation before Installation

To calculate installation, please refer to TABLE 1. (All calculation in inches)

- FOR UNDER THE CABINET -

TABLE 1 A = Height of Floor to Ceiling B = Height of Floor to Counter Top (Standard: 36") C = Height of Counter Top to Wood Frame Bottom (Recommended 26" to 30") D = Height of Wood Frame	
---	--

⚠ SAFETY WARNING

HOOD MAY HAVE VERY SHARP EDGES; PLEASE WEAR PROTECTIVE GLOVES IF REMOVING ANY PARTS FOR INSTALLING, CLEANING OR SERVICING.

NOTE: BE CAREFUL WHEN USING ELECTRICAL SCREWDRIVER, DAMAGE TO THE HOOD MAY OCCUR.

Preparation Before Installation

NOTE: TO AVOID DAMAGE TO YOUR HOOD, PREVENT DEBRIS FROM ENTERING THE VENT OPENING.

- Decide the location of the venting pipe from the hood to the outside. Refer to Figure 1.
- A straight, short vent run will allow the hood to perform more efficiently.
- Try to avoid as many transitions, elbows, and long run as possible. This may reduce the performance of the hood.
- Temporarily wire the hood to test for proper operation before installing.
- **Important: Peel protective film off the hood, if any.**
- Use duct tape to seal joints between pipe sections.

⚠ CAUTION: If moving the cooking range is necessary to install the hood, turn off the power in an electric range at the main electrical box. **SHUT OFF THE GAS BEFORE MOVING A GAS RANGE.** And use a protective covering to protect cooktop and/or countertop from damage.

Custom Hood Preparation

1. The custom hood frame must be sized to the shape and the weight of the insert. Refer to Measurements and Diagram on Page 11.
2. Install 6" Round Plastic Collar using 2 attached screws. Refer to Figure 2.
3. It must have a sturdy base (1/2 inch thick plywood recommended) to sustain the weight of the insert.
4. If an optional liner will be installed, the side of the wood cabinet must be sturdy (1/2 inch thick plywood recommended).
5. It is recommended to install a rear and front stud support. Refer to Figure 3. The stud supports are located 1-1/2" up from the base of the wood frame.

Liner Installation

6. The custom/wood hood must have a sturdy base to accommodate the cut-out for the insert. The base must be recessed to accommodate the height of the liner (See liner dimension on Page 12).
7. Secure the liner to the bottom of the base using screws (not included) appropriate for the size and material of your wood frame.
8. Position the liner so that it aligns with the back edge of the custom wood frame. Use a pen to trace the outline of the pre-cut area. Remove the liner and proceed to Hood Preparation before Installation on Page 6.
9. Install the liner with 5 screws (not provided).

Figure 1

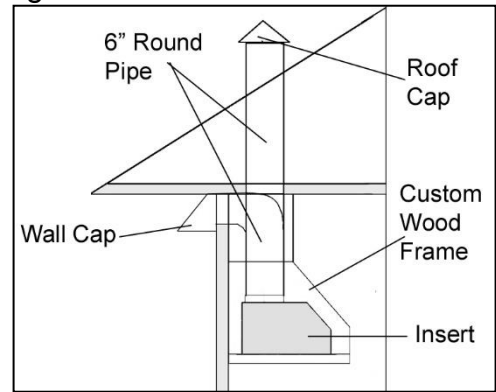
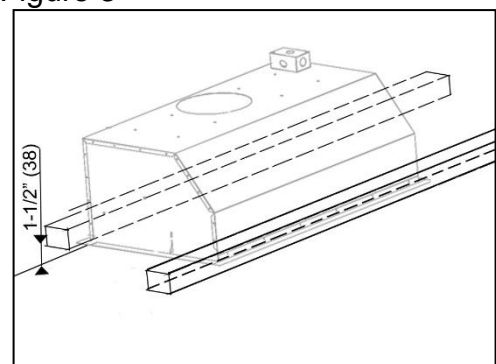


Figure 2



Figure 3



Wiring to Power Supply

⚠ SAFETY WARNING

RISK OF ELECTRICAL SHOCK. THIS RANGE HOOD MUST BE PROPERLY GROUNDED. MAKE SURE THIS IS DONE BY QUALIFIED ELECTRICIAN IN ACCORDANCE WITH ALL APPLICABLE NATIONAL AND LOCAL ELECTRICAL CODES. BEFORE CONNECTING WIRES, SWITCH POWER OFF AT SERVICE PANEL AND LOCK SERVICE PANEL TO PREVENT POWER FROM BEING SWITCHED ON ACCIDENTALLY.

10. Temporarily wire the hood to test for proper operation before installing. If the insert does not operate, check the circuit breaker or house fuse. If the insert is still not working, disconnect the power supply and check the continuity of all wiring connections.
11. Connect electrical wires.
12. Connect three wires (black, white and green) to house wires and cap with wire connectors. Connect wires according to their colors (i.e. black to black, white to white, and green to green). See Figure 4.
13. Store wires in the wiring box.

NOTE: Connect all electrical wires before installing insert. DO NOT turn on the power until installation is complete.

Ductwork Installation

14. Use 6" steel pipe (follow building codes in your area) to connect the ducting on the hood to the ductwork above. Use duct tape to seal and secure joints as shown in Figure 5.
15. Please refer to local codes for the usage of a damper.

Hood Preparation Before Installation

⚠ CAUTION: If moving the cooking range is necessary to install the hood, turn off the power in an electric range at the main electrical box. **SHUT OFF THE GAS BEFORE MOVING A GAS RANGE.**

16. Determine and mark the centerlines on the base of the wood frame where the insert will be installed.
17. Determine and make all necessary cuts in the wall or ceiling for the ductwork. Note: Install the duct work before installing the insert.
18. Cut out the opening where the insert will be installed. Figure 6.

Figure 4

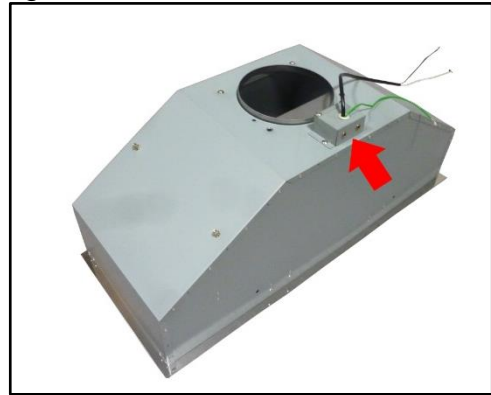


Figure 5

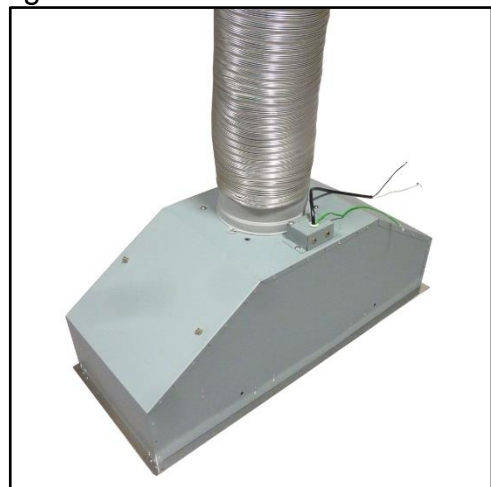
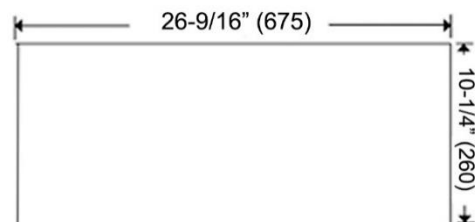


Figure 6



Hood Installation

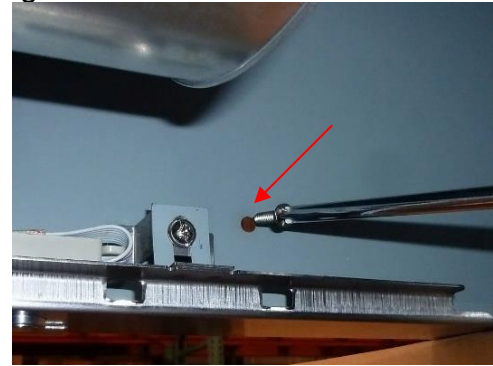
19. Slide the hood into the opening where it will be installed.
20. Locate the screw holes (4) on each side of the insert. Adjust the level of the hood casing support according to the thickness of the base (1/2 thickness plywood recommended – Refer to Figure 3).
21. Secure the hood using screw holes that are located in front and back of unit (screws provided). Refer to Figure 7.
22. Make sure the hood casing support is secure before releasing.

⚠ CAUTION: MAKE SURE HOOD IS SECURE BEFORE RELEASING.

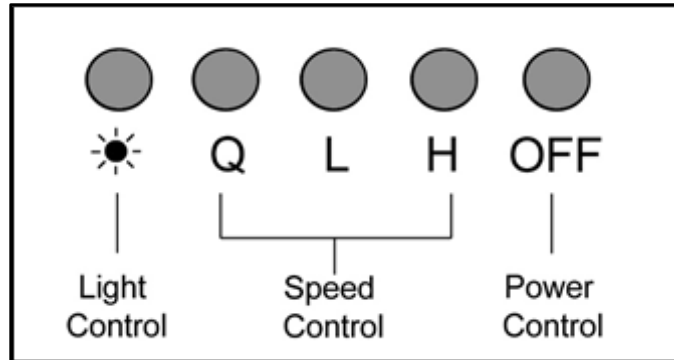
Final Assembly

23. Install Baffle Filters. Insert the filters towards the back of the unit and push up.
24. Make sure the Baffle Filters are secure before releasing.

Figure 7



OPERATING INSTRUCTIONS



Note: For best results, turn fan on prior to any preparation or cooking and keep fans running while cooking. Adjust speed as needed.

To operate the fan function

- Press button to choose the speed
 - Q = QuietMode™ speed
 - L = Low speed
 - H = High speed
- Press “OFF” to turn fan off

To operate the light function

- Press the Light Control to turn lights on and off

MAINTENANCE

For optimal appearance, clean the range hood surface and filters regularly.

To Clean Hood Surface

CAUTION: NEVER USE ABRASIVE CLEANERS, PADS, OR CLOTHS.

***Regular care will help preserve its fine appearance.

1. Use only mild soap or detergent solutions. Dry surfaces using soft cloth.
2. If hood looks smudged (stainless steel hood), use a stainless steel cleaner to clean the surface of the hood. Avoid getting cleaning solution onto or into the control panel. Follow directions of the stainless steel cleaner. **Caution: Do not leave on too long as this may cause damage to hood finish.** Use a soft towel to wipe off the cleaning solution, gently rub off any stubborn spots. Use a dry soft towel to dry the hood.
3. DO NOT allow deposits to accumulate or remain on the hood.
4. DO NOT use ordinary steel wool or steel brushes. Small bits of steel may adhere to the surface and cause rusting.
5. DO NOT allow salt solutions, disinfectants, bleaches, or cleaning compounds to remain in contact with stainless steel for extended periods. Many of these compounds contain chemicals, which may be harmful to the hood. Wipe down hood with a water-moistened cloth, then wipe dry with a clean lint-free cloth.

For Baffle Filter models only: to Clean Baffle Filter/Oil Tunnel

CAUTION: DRAIN OIL FROM BAFFLE FILTER REGULARLY TO PREVENT OVERFLOW.

1. Remove all the baffle filters and the oil tunnel. Note: Not all models have an oil tunnel.
2. Using a sponge, wash them with warm soapy water. Dry them completely before putting them back into place.

CAUTION: SHARP EDGES

(Note: Baffle Filters are top rack dishwasher safe)

SPECIFICATIONS

MODEL / SIZE	IN2830SQB-XX / 30"		
COLOR	18-gauge commercial grade stainless steel		
CONSUMPTION / AMPERE	300W / 2.5A		
VOLTAGE	120V 60Hz		
NUMBER OF BLOWER	1		
FAN TYPE: CENTRIFUGAL	Single Horizontal Squirrel Cage		
EXHAUST	Top 6" Round		
CONTROL	Mechanical Push Button		
LIGHTS	LED Lights (3W) x 2		
HOOD DIMENSION (W x D x H)	IN2830SQB-XX	27-9/16" x 11-1/4" x 10-1/4"	
OPTIONAL ACCESSORIES (W x D x H)	1) Liner Model No.: INL36211A (35-1/8" x 21-7/8" x 2") 2) 30" Stainless Steel Back Panel 3) Model No.: SSP30 (30" x 1/10" x 32") 4) 36" Stainless Steel Back Panel Model No.: SSP36 (36" x 1/10" x 32")		
HOOD WEIGHT		<u>Net</u>	<u>Gross</u>
	IN2830SQB-XX	20.9 lbs	27.2 lbs
Speed	<u>QuietMode™</u>	<u>Low</u>	<u>High</u>
Air Capacity (CFM)	300	440	750
Sone	1.0	2.2	5.6

*One Sone is equivalent to 40 decibels.

**Specifications subject to change without notice.

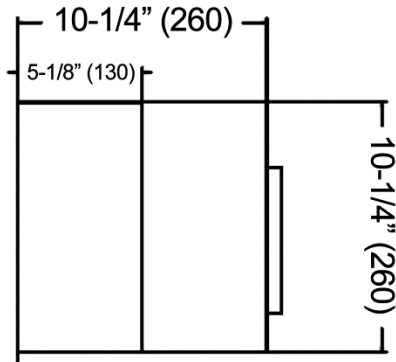
MEASUREMENTS & DIAGRAMS

***All () are in millimeter.

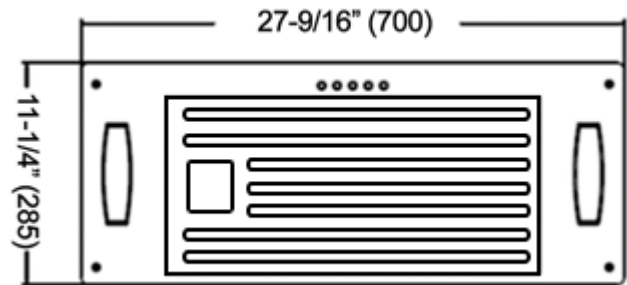
***All inch measurements are converted from millimeters. Inch measurements are estimated.

MODEL NO.: IN2830SQB-XX (30")

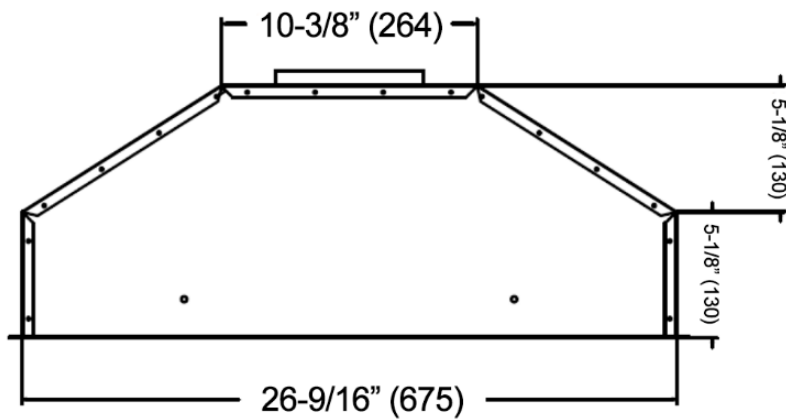
Side View



Bottom View

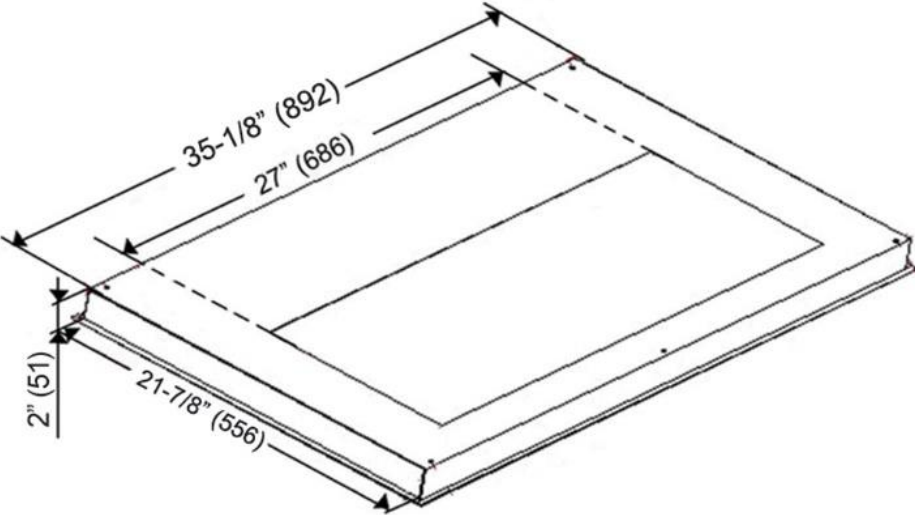


Front View



Stainless Steel Liner (Sold Separately)

Model No.: INL36211A



PARTS LIST

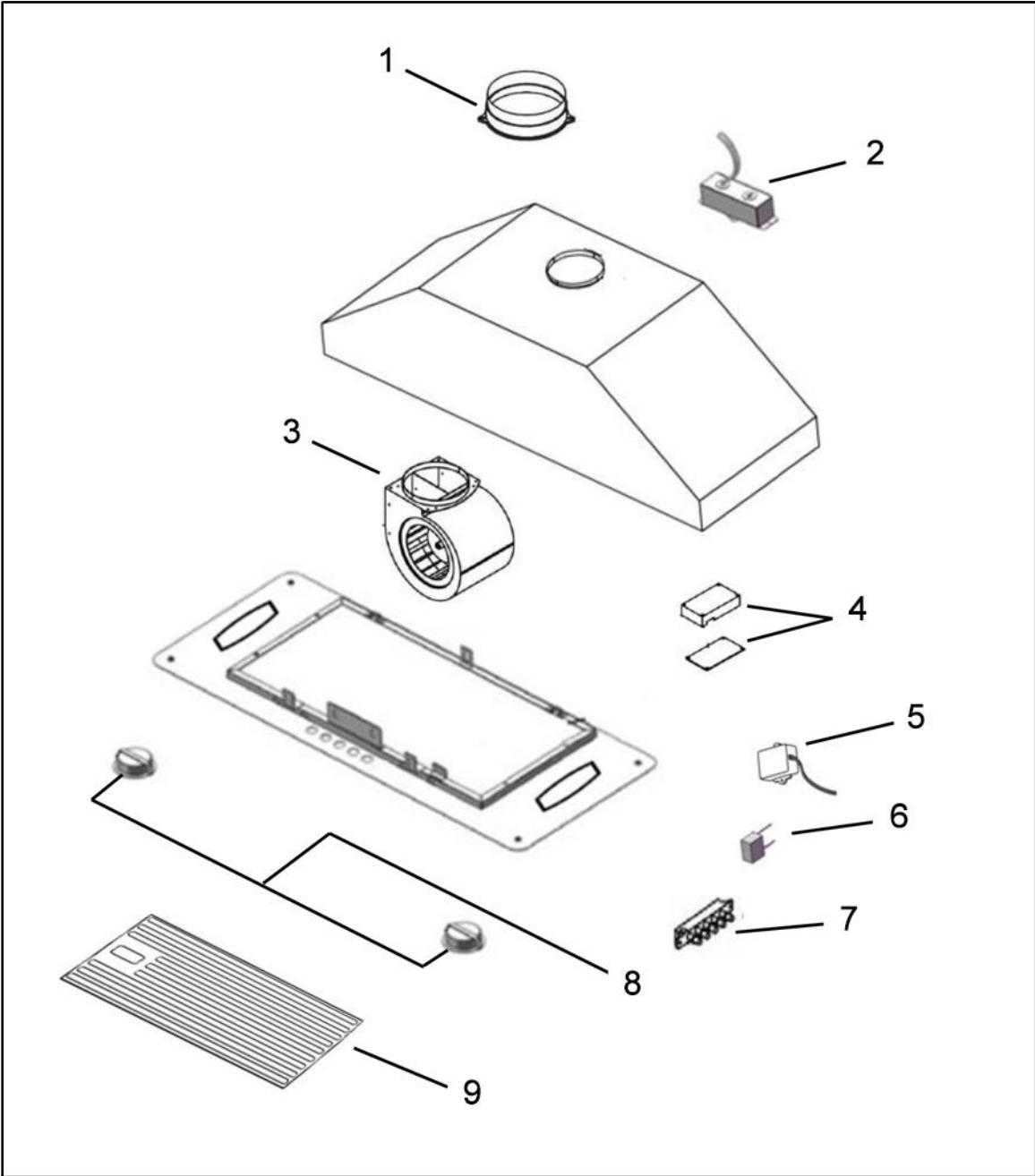
MODEL NO.: IN2830SQB-XX (30")

NO.	DESCRIPTION	MODEL / SIZE	PART NO.
1	6" Round Plastic Exhaust		L1-0505-0007
2	Wiring Box		L1-0231-2730
3	Blower System		L1-0302-0120-802RO
4	Electronic Component Box		L1-0524-0003
5	LED Light Driver		L1-0402-0303
6	Capacitor x 1pcs		L1-0401-0120-24
7	Control Switch		L1-0405-0301
8	LED Lights (3W) x 2		L1-0403-0601
9	Baffle Filter x 1pcs		L1-0214-2830

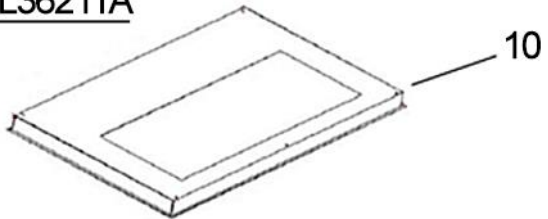
Optional Liner

NO.	DESCRIPTION	MODEL / SIZE	PART NO.
10	Liner	INL36211A	IN2730-11-01

MODEL NO.: IN2830SQB-XX (30")

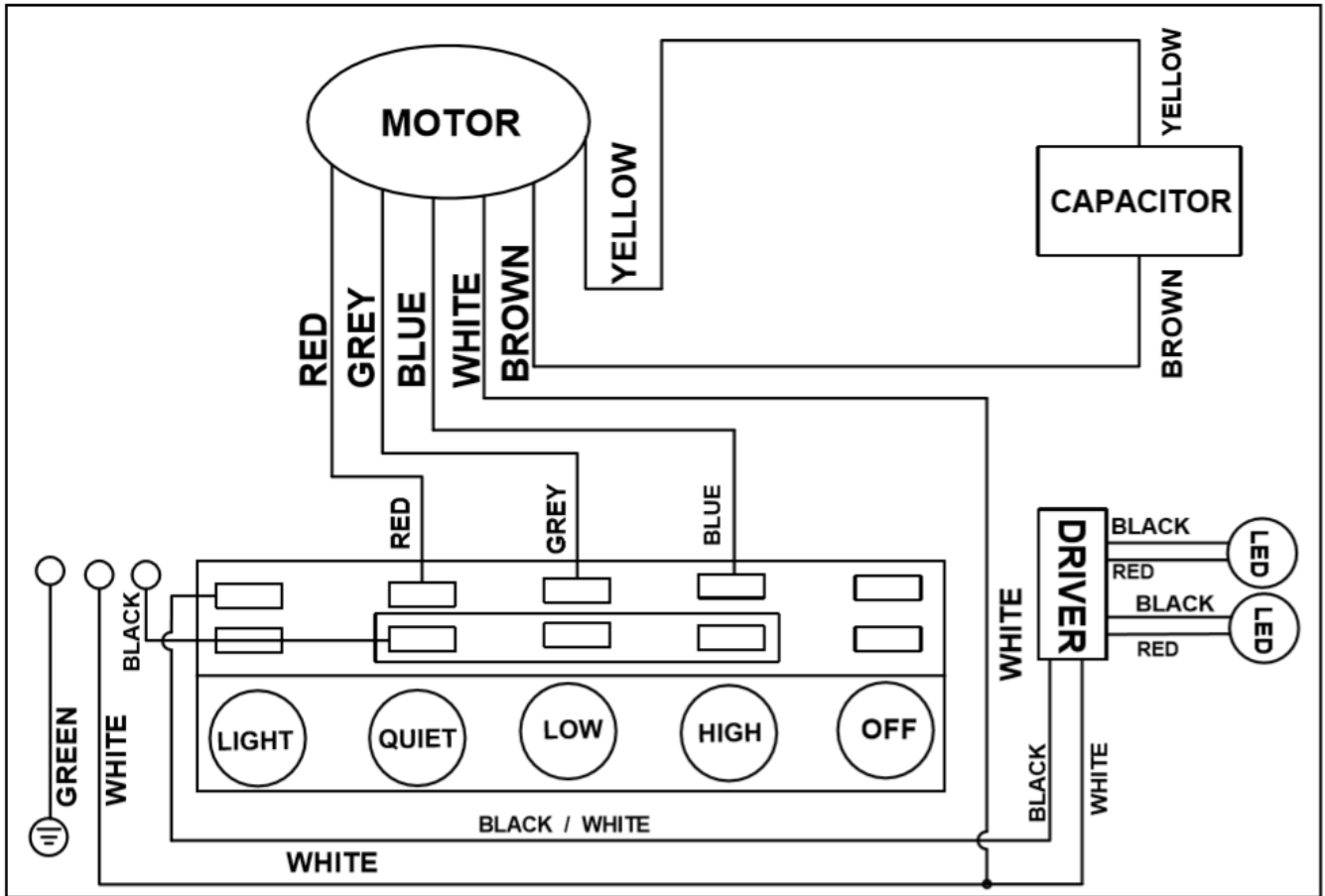


Optional Liner Model No.: INL36211A
(Sold Separately)



CIRCUIT DIAGRAM

MODEL NO.: IN2830SQB-XX (30")



TROUBLE SHOOTING

Issue	Possible Cause	Solution
After installation, both motors and lights are not working.	The power is not on.	Make sure the circuit breaker and the unit's power is ON. Use a voltage meter to check the power supply.
	The wire connection is not secure.	Check and tighten wire connection.
	The control panel and processor board wiring are disconnected.	Check wire continuity from control panel to processor board.
	The control panel or processor board is defective.	Replace the control panel or processor board.
Lights are working, but motor(s) is not.	The motor(s) is defective.	Replace the motor(s).
	The capacitor(s) is defective.	Replace the capacitor(s).
	The control panel or processor board is defective.	Replace the control panel or processor board.
The range hood is vibrating.	The blower system is not secure.	Tighten the turbine impeller/squirrel cage and air chamber.
	The turbine impeller/squirrel cage is not balanced.	Replace the turbine impeller/squirrel cage.
	Hood is not secured in place.	Check the installation of hood, tighten the mounting bracket.
The motor is working, but the lights are not working.	LED driver is defective.	Replace LED driver.
	LED light fixture(s) is defective.	Replace LED light fixture(s).
	The light wiring(s) is loose.	Check wire continuity from processor board to light transformer to LED light fixture(s).
	The control panel or processor board is defective.	Replace the control panel or processor board.
The range hood is not venting out correctly.	The range hood is installed outside of the manufacture recommended clearance.	Adjust the clearance between the range hood and cook top to 26" to 30". For island hood, the clearance between the range hood and cook top is 30" to 36".
	There is no make-up air inside the house.	Open the window to enhance the performance of the range hood by creating a sufficient make-up air.
	Obstacle blocking the pipe work.	Remove all obstacles from the duct work.
	The pipe size is smaller than the suggested pipe size.	Change the ducting according to the manufacture suggestion.
Cold air is coming into the home.	The pipe connection is not properly sealed.	Check the pipe installation.
	The damper is not properly installed or is missing from the installation.	Check the damper installation.
	The damper is not installed.	Installing the damper will help eliminate air backflow.

WARRANTY

WARRANTY CERTIFICATE

In order to obtain warranty service, you must provide proof of original purchase from a KOBE authorized dealer. Please keep a copy of your original invoice as proof of purchase.

ONE-YEAR LIMITED LABOR WARRANTY ON KOBE PREMIUM SERIES:

For one year from the date of your original invoice from a KOBE authorized dealer, we will repair any parts or components free of charge that failed due to manufacturing defects. KOBE reserves the right to replace, rather than repair the product free of charge at our sole discretion.

It is your sole responsibility to ensure the product is readily accessible for the service technician to perform repairs. The service technician will not, under any circumstance, remove, alter or modify any fixture built around and/or connected to the product to gain access to perform repairs.

TWO-YEAR LIMITED PARTS WARRANTY ON KOBE PREMIUM SERIES:

For two years from the date of your original invoice from a KOBE authorized dealer, we will provide non-consumable replacement parts or components free of charge that failed due to manufacturing defects. Consumable parts such as light bulbs, filters, fuses, and oil cups are not covered by this warranty. KOBE reserves the right to replace, rather than send out replacement parts of the product free of charge at our sole discretion.

WHAT IS COVERED:

This warranty is valid in the United States and Canada. It is non-transferable and applies only to the original purchaser and does not extend to any subsequent owners of this product. In Hawaii, Alaska, and Canada, this warranty is limited. There may be additional shipping charges for parts and service technician travel costs in remote areas for location 30 miles outside of KOBE authorized service area.

WHAT IS NOT COVERED:

1. Normal wear and tear, regular service and maintenance required for the product.
2. Consumable parts such as light bulbs, filters, fuses, and oil cups.
3. Chips, scratches, or dents due to abuse or misuse of the product, use of corrosive and abrasive cleaning products.
4. Damages caused by accident, fire, flood and other Acts of God.
5. Services in remote areas or locations 30 miles outside of KOBE authorized service areas.
6. Labor cost incurred in connection with the removal of range hood, and installation of replacement range hood, nor does it cover any other contingent expenses.
7. Scratches inside the hood, back of the baffle filter, and inside the duct cover.

THIS WARRANTY WILL BE VOIDED BY:

1. Improper installation and failure to follow installation instructions.
2. Any repair, alteration, modification not authorized by KOBE.
3. Duct alteration, modification and connection.
4. Incorrect electric current, voltage or wiring.
5. Improper usage of the product such as commercial, outdoor or other use besides residential indoor usage.
6. Purchasing this product from an unauthorized KOBE dealer.
7. Damaging the product due to negligence, misuse, abuse, or accident.

If we determine that the warranty exclusions listed above applies or if you fail to provide all necessary documentation for warranty service, you will be responsible for all expense associated with the requested service, including parts, labor, shipping, traveling, and any other expense related to the service request.

TO REQUEST WARRANTY SERVICE, PLEASE CONTACT KOBE RANGE HOODS SERVICE CENTER:

For the 48 contiguous states:

Email (best): customer.service@koberangehoods.com

From Alaska, Hawaii, and Canada:

Email (best): customer.service@koberangehoods.com

WARRANTY INFORMATION FORM

Fill in the blanks and keep this paper with the **original invoice** in a safe place for future service purpose.

1. Date of purchase : _____

2. Model No. : _____

3. Serial No. : _____

For warranty service or spare parts purchase in US, contact:

KOBE Service Center

Email (best): customer.service@koberangehoods.com

For warranty service or spare parts purchase in Canada, contact:

Email (best): customer.service@koberangehoods.com

Your Notes:



KOBE Range Hoods
11775 Clark Street
Arcadia, CA 91006 USA

www.koberangehoods.com

This KOBE hood is made for use in the USA and CANADA only. We do not recommend using this hood overseas as the power supply may not be compatible and may violate the electrical code of that country. **Using a KOBE hood overseas is at your own risk and will void your warranty.**

Cette hotte KOBE est fabriquée pour usage aux États-Unis et au Canada seulement. Il n'est pas recommandé d'utiliser cette hotte à l'étranger puisque l'alimentation électrique pourrait ne pas être compatible et enfreindre le code de l'électricité de ce pays. **L'usage de la hotte KOBE à l'étranger est à votre propre risque et la garantie sera annulée.**

Esta campana de extracción KOBE ha sido fabricada para ser utilizada únicamente en EE.UU. y CANADÁ. No recomendamos la utilización de esta campana en el extranjero debido a que la fuente de energía podría no ser compatible y podría violar el código eléctrico de dicho país. **Utilizar una campana KOBE en el extranjero será a su propio riesgo y anulará la garantía.**

VER. 250318

Information subject to change without notice.