

KOBE® **KOBE Brand Range Hood**

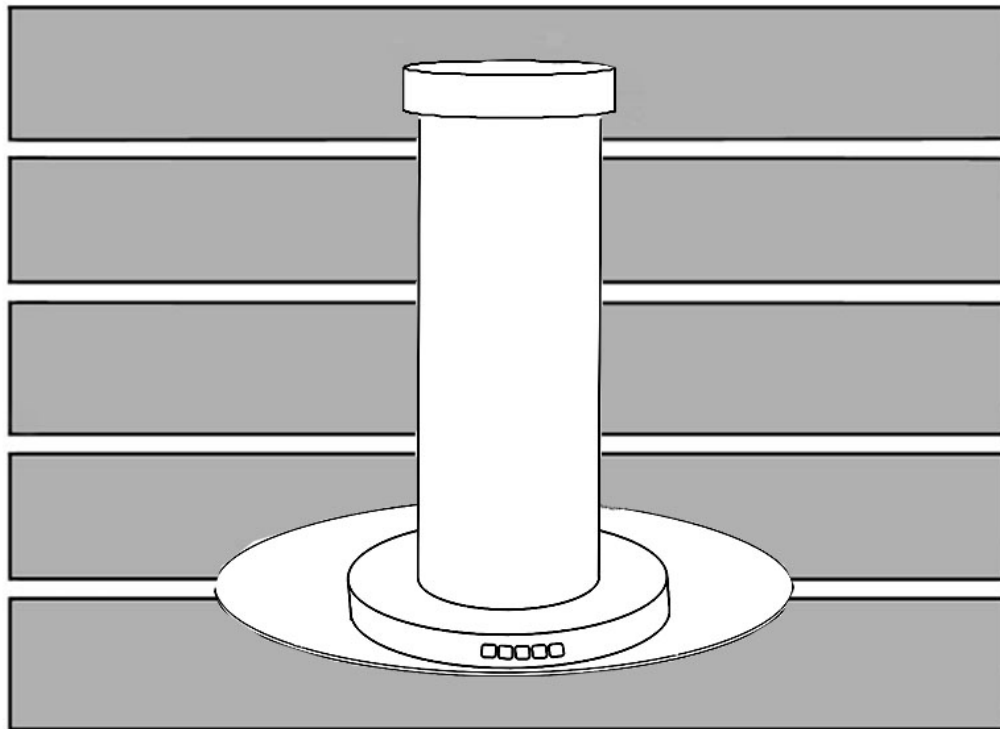
Model No. / N^{os} de modèles / Modelo No.

ISX2036GS-28

ISX2036GS-40

ISX2042GS-28

ISX2042GS-40



**INSTALLATION INSTRUCTIONS
AND OPERATION MANUAL**

**MANUEL D'INSTALLATION
ET MODE D'EMPLOI**

**INSTRUCCIONES DE INSTALACIÓN
Y MANUAL DE OPERACIÓN**

[ENGLISH].....1

[FRENCH].....22

[SPANISH].....43

[ENGLISH]

- READ AND SAVE THESE INSTRUCTIONS -

CONTENTS

IMPORTANT SAFETY INSTRUCTIONS.....	2
COMPONENTS OF PACKAGE.....	4
INSTALLATION	5
OPERATION INSTRUCTIONS.....	9
MAINTENANCE	10
SPECIFICATIONS.....	12
MEASUREMENTS & DIAGRAMS.....	13
PARTS LIST	14
CIRCUIT DIAGRAM.....	16
TROUBLE SHOOTING	17
DISCLAIMER	18
WARRANTY	19
PRODUCT REGISTRATION.....	21

- READ ALL INSTRUCTIONS CAREFULLY BEFORE INSTALLATION -

ALL WIRING MUST BE DONE BY A PROFESSIONAL AND IN ACCORDANCE WITH NATIONAL AND LOCAL ELECTRICAL CODES



IMPORTANT SAFETY INSTRUCTIONS

- PLEASE READ THIS SECTION CAREFULLY BEFORE INSTALLATION -

⚠ WARNING: TO REDUCE THE RISK OF FIRE, ELECTRIC SHOCK OR PERSONAL INJURY, OBSERVE THE FOLLOWING:

- 1) Installation and electrical wiring must be done by qualified professionals and in accordance with all applicable codes and standards, including fire-rated construction.
- 2) When cutting or drilling into wall or ceiling, be careful not to damage electrical wiring or other hidden utilities.
- 3) Ducted fans must be vented to the outside.
 - a) Before servicing or cleaning unit, open the light panel and **SWITCH POWER OFF AT SERVICE PANEL.**
 - b) Clean all grease laden surfaces frequently. To reduce the risk of fire and to disperse air properly, make sure to vent air outside. **DO NOT** vent exhaust air into wall spaces, attics, crawl spaces or garages.

- NOTE**
- This warranty is invalid without an authorized agent's receipt or if unit is damaged due to misuse, poor installation, improper use, mistreatment, negligence or any other circumstances beyond the control of KOBE RANGE HOODS authorized agents. Any repair carried out without the supervision of KOBE RANGE HOODS authorized agents will automatically void the warranty.
 - KOBE RANGE HOODS will not be held responsible for any damages to personal property or real estate or any bodily injuries whether caused directly or indirectly by the range hood.

⚠ WARNING: TO REDUCE THE RISK OF PERSONAL INJURY IN THE EVENT OF A RANGE TOP GREASE FIRE:

- Keep all fan, baffle/spacer/filter/oil tunnel/oil container and grease-laden surfaces clean. Grease should not be allowed to accumulate on fan, baffle/spacer/filter/oil tunnel/oil container.
- Always turn hood ON when cooking.
- Use high settings on cooking range ONLY when necessary.
- Do not leave cooking range unattended when cooking.
- Always use cookware and utensils appropriate for the type and amount of food prepared.
- Use this unit only in the manner intended by the manufacturer.
- Before servicing, switch power off at service panel and lock service panel (if possible) to prevent power from switching on accidentally.
- Clean ventilating fan frequently.

What to Do In The Event Of a Range Top Grease Fire

- SMOTHER FLAMES with a tight fitting lid, cookie sheet, or metal tray, and then turn off the burner. KEEP FLAMMABLE OR COMBUSTIBLE MATERIAL AWAY FROM FLAMES. If the flames do not go out immediately, EVACUATE THE AREA AND CALL THE FIRE DEPARTMENT or 911.
- NEVER PICK UP A BURNING PAN – You May Get Burned.
- DO NOT USE WATER, including wet dishcloths or towels – a violent steam blast will result.
- Use an extinguisher ONLY if:
 - a) You have a Class A, B, C extinguisher and know how to operate it.
 - b) The fire is small and contained in the area where it started.
 - c) The fire department has been called.
 - d) You can fight the fire with your back to an exit.

What to Do If You Smell Gas

- Extinguish any open flame.
- Do not try to turn on the lights or any type of appliance.
- Open all doors and windows to disperse the gas. If you still smell gas, call the Gas Company and Fire Department right away.

⚠ CAUTION

- 1) For general ventilation use only. Do not use to exhaust hazardous or explosive materials and vapors.
- 2) To reduce the risk of fire, use only metal ductwork. Sufficient air is needed for proper combustion and exhausting of gases through the flue (chimney) to prevent back drafting.
- 3) Follow the heating equipment manufacturer's guideline and safety standards such as those published by the National Fire Protection Association (NFPA), and the American Society for Heating, Refrigeration and Air Conditioning Engineers (ASHRAE), and code authorities.
- 4) Activating any switch on may cause ignition or an explosion.
- 5) Due to the size and weight of this hood, two people installation is recommended.

⚠ WARNING



ELECTRICAL SHOCK HAZARD – Can result in serious injury or death. Disconnect appliance from electric power before servicing. If equipped, the fluorescent light bulb contains small amounts of mercury, which must be recycled or disposed of according to Local, State, and Federal Codes.

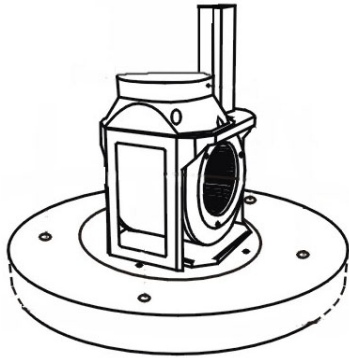
COMPONENTS OF PACKAGE

(Must keep all material for returns or refunds)

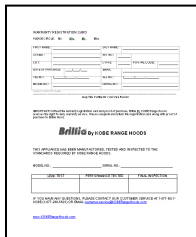
Box 1 of 3

- {A} Brillia Range Hood
- {B} Warranty Registration Card
- {C} Instruction Manual
- {D} Stainless Filter – 1
- {E} Stainless Steel Collar– 1

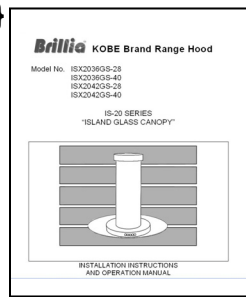
{A}



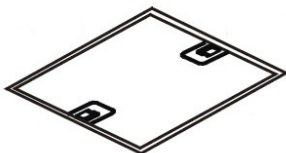
{B}



{C}



{D}

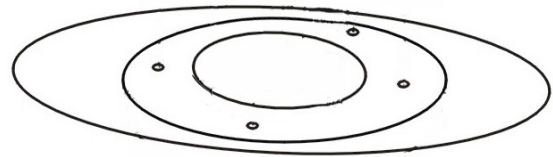


{E}



Box 2 of 3



- {F} Glass Canopy – 1





Box 3 of 3

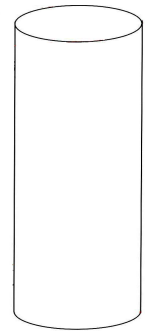
- {G} Screws Package – 1
- {H} One Piece Duct Cover – 1
- {I} Mounting Bracket – 1
- {J} Mounting Template

- {G} All screws attached to units
- {H}

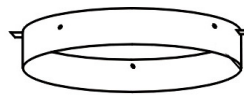
  M5 x 20 (4 pcs) and washers (4 sets)

  M8 (4 pcs) and washers (4 sets)

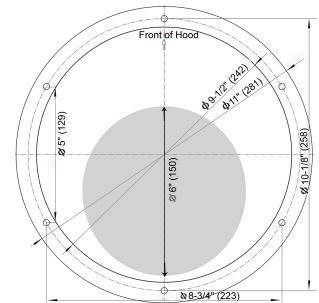
 M5 x 10 (5 pcs)



{I}



{J}



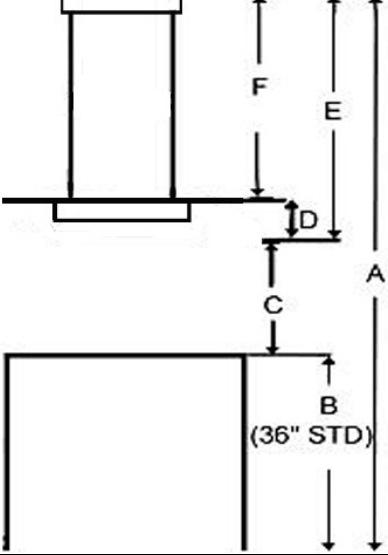
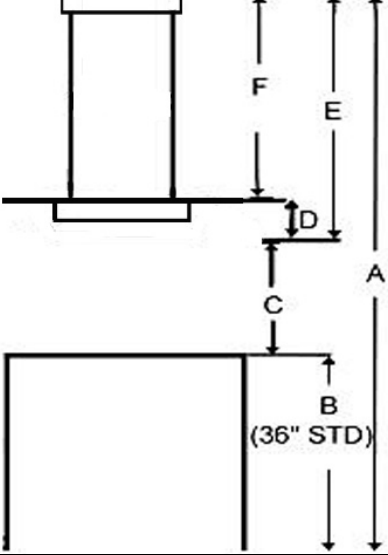
◆ FOR MORE INFORMATION, PLEASE CONTACT KOBE RANGE HOODS AT (626) 775-8880.

INSTALLATION

PLEASE READ ENTIRE INSTRUCTIONS BEFORE PROCEEDING

Calculation before Installation

To calculate installation, please refer to TABLE 1. (All calculation in inches)

TABLE 1	
<p>A = Height of Floor to Ceiling B = Height of Floor to Counter Top (Standard: 36") C = Preferred Height of Counter Top to Hood Bottom (Recommended 30" to 36") D = Height of Hood E = Height of the Hood Installation [A - (B+C)] F = Height of Duct Cover [E - D]</p>	

⚠ SAFETY WARNING

HOOD MAY HAVE VERY SHARP EDGES; PLEASE WEAR PROTECTIVE GLOVES IF REMOVING ANY PARTS FOR INSTALLING, CLEANING OR SERVICING.

NOTE: BE CAREFUL WHEN USING ELECTRICAL SCREWDRIVER, DAMAGE TO THE HOOD MAY OCCUR.

Preparation before Installation

NOTE: TO AVOID DAMAGE TO YOUR HOOD, PREVENT DEBRIS FROM ENTERING THE VENT OPENING.

- Decide the location of the venting pipe from the hood to the outside. (Figure 1)
- A straight, short vent run will allow the hood to perform more efficiently.
- Try to avoid as many transitions, elbows, and long run as possible. This may reduce the performance of the hood.
- Temporarily wire the hood to test for proper operation before installing.
- **Important: Peel protective film off the hood and duct covers, if any.**
- Use duct tape to seal the joints between pipe sections.

Advance Planning

1. Mark centerlines of cook top or range on ceiling. Use centerlines marked on ceiling to position the mounting template as shown in Figure 2 and 3.
2. Remove and save template. Cut and remove ceiling drywall. Install 2" x 4" cross framing lumbers (not provided) between ceiling joists.
3. The framing should be spaced 10-1/8" at the front centerline and 8-3/4" on the sides to accept the mounting screw in mounting bracket. Refer to MEASUREMENTS & DIAGRAMS on page 13.
4. Finish the ceiling surface. Be sure to mark the location of the ceiling joists and cross framing lumber.
5. Align the mounting template to the ceiling marks and tape in place. Cut the 6-1/4" duct open and an approximately 1" wire access hole. Drill holes for the 6 mounting screws as indicated on the template. Shown in Figure 3.
6. Align the mounting bracket to the pre-drilled holes on the ceiling and securely fasten to the joists and cross framing lumber with 6 screws (not provided). Make sure screws are driven into the center of joists and cross framing lumber for maximum support. Shown in Figure 4.

Figure 1

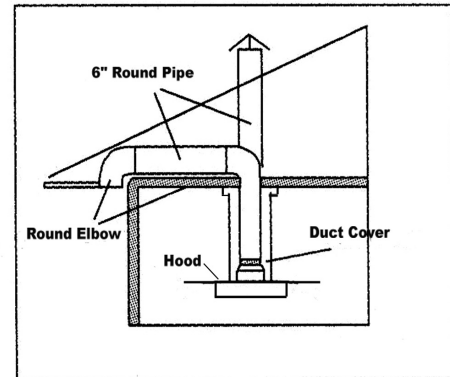


Figure 2

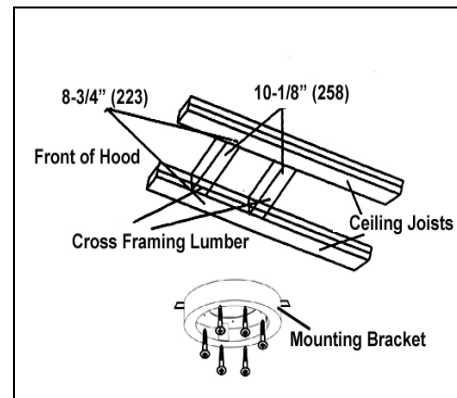
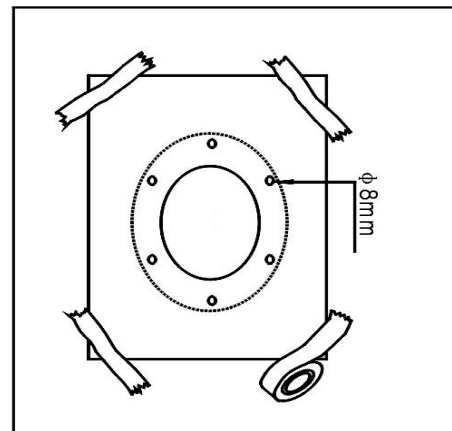


Figure 3



Wiring to Power Supply

SAFETY WARNING

RISK OF ELECTRICAL SHOCK. THIS RANGE HOOD MUST BE PROPERLY GROUNDED. MAKE SURE THIS IS DONE BY QUALIFIED ELECTRICIAN IN ACCORDANCE WITH ALL APPLICABLE NATIONAL AND LOCAL ELECTRICAL CODES. BEFORE CONNECTING WIRES, SWITCH POWER OFF AT SERVICE PANEL AND LOCK SERVICE PANEL TO PREVENT POWER FROM BEING SWITCHED ON ACCIDENTALLY.

7. Route house wiring into the ceiling as close to the installation location as possible. Allow additional length to drop down from the ceiling to the electrical box.
8. Connect the electrical wires according to color (black to black, white to white, and green to green) and cap with wire connectors. Green wire must be grounded to reduce risk of electrical shock.

Ductwork Installation

9. Use 6" round aluminum or steel pipe (not provided) to connect the 6" round damper on the hood to the ductwork above. NOTE: Place 6" round duct pipe over the damper. Seal with duct tape to make all joints secure and tight. NOTE: MAKE SURE FLAPS ON DAMPER CAN OPEN & CLOSE FREELY. (Figure 5)

Duct Cover Installation

10. Slide glass canopy onto the blower system. Secure glass on the top of range hood with 4 (M5 x 20) screws and 4 washers (provided). (Figure 5)
11. Slide duct cover onto the blower unit, secure underneath the blower unit with 4 (M8) nuts and 4 washers (provided). Refer to Figure 6 and 7.

Figure 4

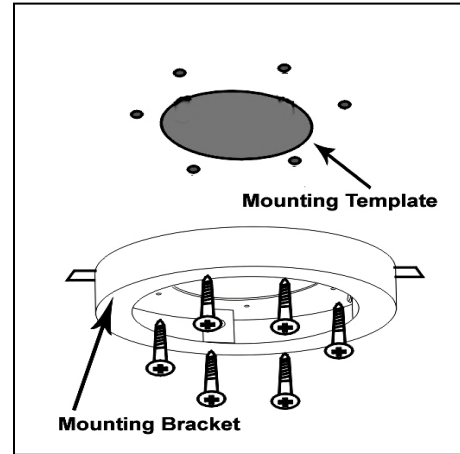


Figure 5

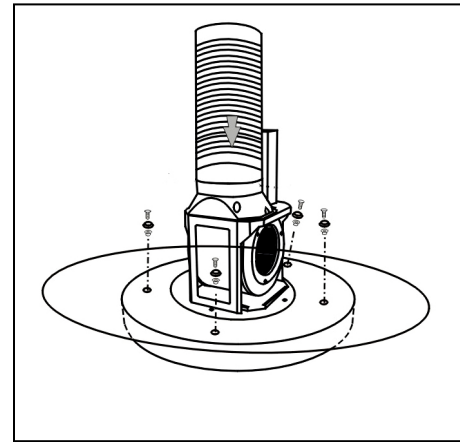
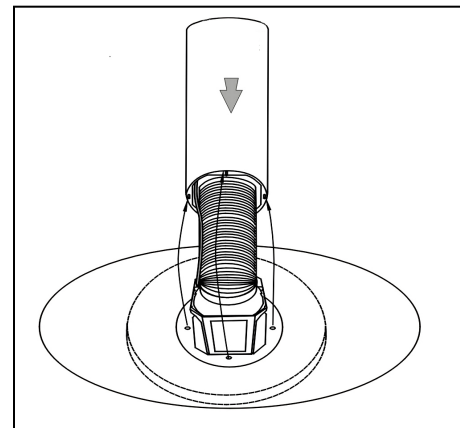


Figure 6



12. Carefully slide stainless steel collar through duct cover to the top of glass carefully. Refer to Figure 8.
13. With assistance, align the duct cover to the mounting bracket and secure with 5 (M5 x 10) screws (provided). Refer to Figure 9. **Important: Make sure the hood orientation is correct before securing the hood.**
14. Slide stainless steel collar towards the top of the duct cover. Refer to Figure 10.
15. Lock stainless steel collar to left or right to secure the stainless steel collar.
16. Peel protective film off the stainless steel collar.
17. Place stainless steel filter in place.

Final Assembly

18. Turn power ON and check all lights and fan operation.
19. Make sure to leave this manual for the homeowner.

Figure 7

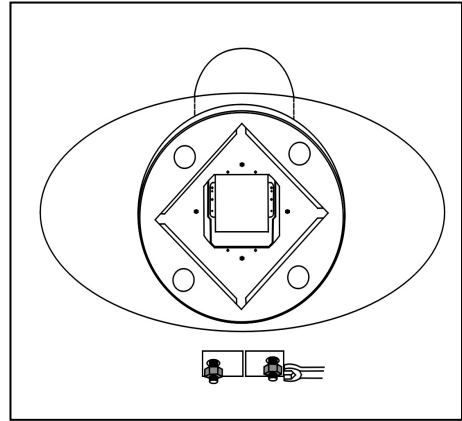


Figure 8

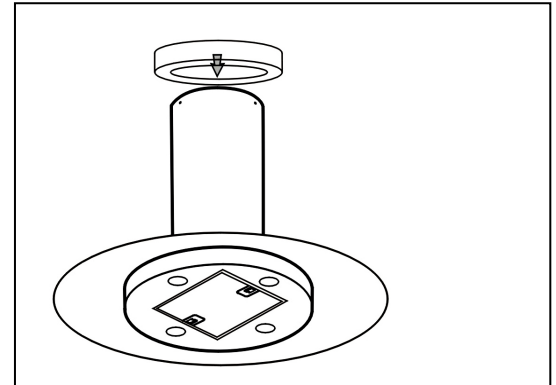


Figure 9

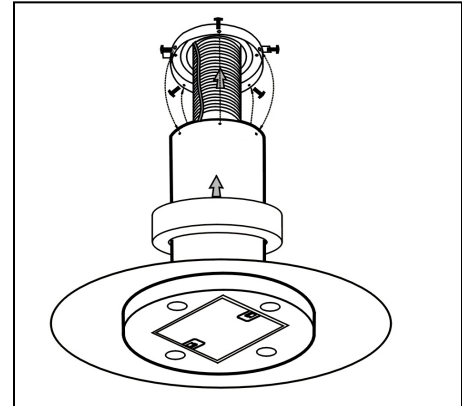
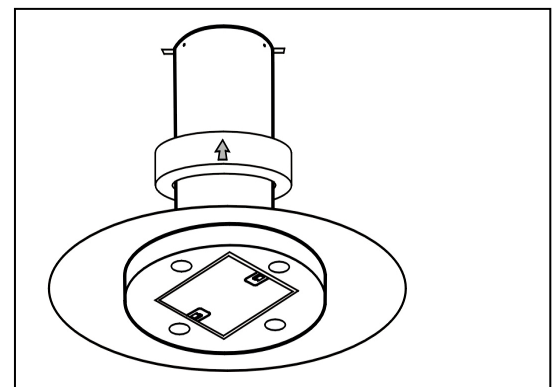


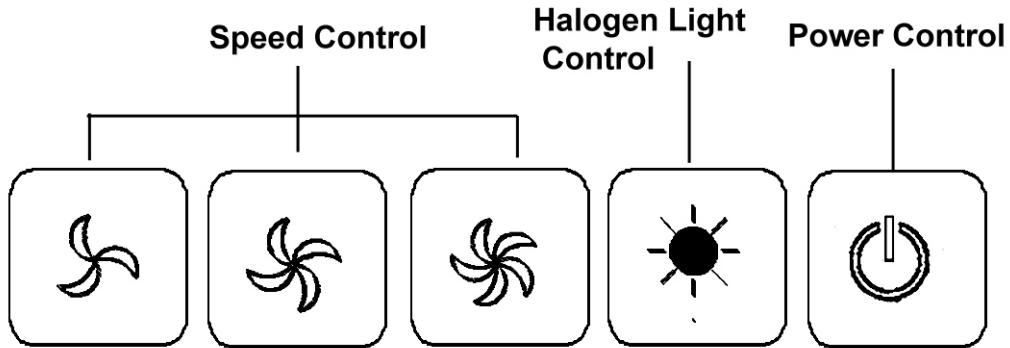
Figure 10



OPERATION INSTRUCTIONS

This Brillia hood is equipped with five touch buttons, single horizontal squirrel cages with stainless steel filter, and four bright 12-volt /20-watt halogen lights.

The five touch buttons are Power Control (On/Off), Speed Control (Low, Medium, & High), and Light Control.



Note: For best results, turn hood to low speed prior to any preparation or cooking. Adjust speed as needed.

Power Control

Press Power Control to turn On/Off the hood.

This unit is equipped with 1-minute delay shutoff. To activate this feature, press Power Control button once, panel lights will flash and power will be completely shut off after 1 minutes.

Press Power Control button twice, the fan will be shut off immediately.

Speed Control

Press Speed Control to activate Low, Medium, or High Speed.

Light Control

(Light control is separate from ON/OFF control. Turning power off will not turn lights off.)

Press Light control to turn lights ON or OFF.

MAINTENANCE

SAFETY WARNING

NEVER PUT YOUR HAND INTO AREA HOUSING THE FAN WHILE THE FAN IS OPERATING.

Cleaning Hood Surface

 **CAUTION:** NEVER USE ABRASIVE CLEANERS, PADS, OR CLOTHS. DO NOT USE PAPER TOWEL ON STAINLESS STEEL.

For optimal operation, clean range hood and all baffle/spacer/filter/oil tunnel/oil container regularly.

*** Regular care will help preserve the appearance of the hood.

1. Use only mild soap or detergent solutions. Dry surfaces using soft cloth.
2. If hood looks splotchy (stainless steel hood), use a stainless steel cleaner to clean the surface of the hood. Avoid getting cleaning solution onto or into the control panel. Follow directions of the stainless steel cleaner. **Caution: Do not leave on too long as this may cause damage to hood finish.** Use soft towel to wipe off the cleaning solution, gently rub off any stubborn spots. Use dry soft towel to dry the hood.
3. DO NOT allow deposits to accumulate or remain on the hood.
4. DO NOT use ordinary steel wool or steel brushes. Small bits of steel may adhere to the surface and cause rusting.
5. DO NOT allow salt solutions, disinfectants, bleaches, or cleaning compounds to remain in contact with stainless steel for extended periods. Many of these compounds contain chemicals, which may be harmful. Rinse with water after exposure and wipe dry with a clean lint free cloth.

To Clean Filter

 **CAUTION:** DRAIN OIL FROM BAFFLES, SPACER(S), FILTERS, OIL TUNNEL(S) AND OIL CONTAINERS BEFORE OIL AND RESIDUE CAN OVERFLOW.

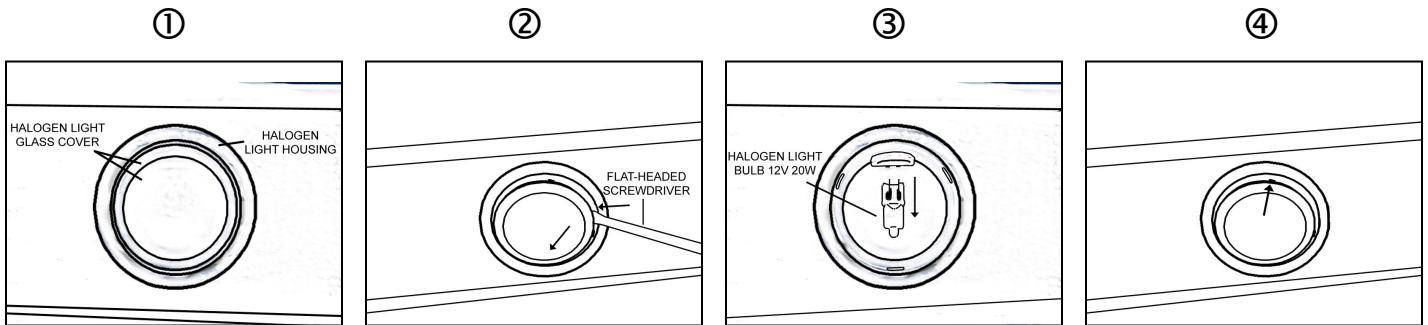
Cleaning Filters

1. Remove perforated filter.
2. Wash with warm soapy water. Dry thoroughly before replacing.
(Note: Stainless Steel Filters are top rack dishwasher safe.)

To Replace Halogen Light Bulbs

⚠ CAUTION: HALOGEN LIGHT UNIT MAY BE HOT! WAIT UNTIL UNIT IS COOL.

NOTE: DO NOT TOUCH HALOGEN LIGHT WITH BARE HANDS, WHICH MIGHT CAUSE OVER HEAT AND SHORTEN THE LIFE OF LIGHT BULBS.



1. Make sure all controls are OFF, and range hood is unplugged.
2. Place the flat-head screwdriver into the groove between the halogen light glass covering and the housing ①.
3. Gently separate glass covering from the housing ②.
4. Gently pull out the defective light bulb ③ and discard. Light bulbs should be 12V 20W maximum.
5. Wear a glove or use a cloth to hold the new light bulb and push securely into light socket. **NOTE: DO NOT PUSH TOO HARD OR YOU MAY BREAK THE BULB CONNECTOR.**
6. Put back halogen light glass cover ④.
7. Plug back power cord and turn on range hood to test for operation.

SPECIFICATIONS

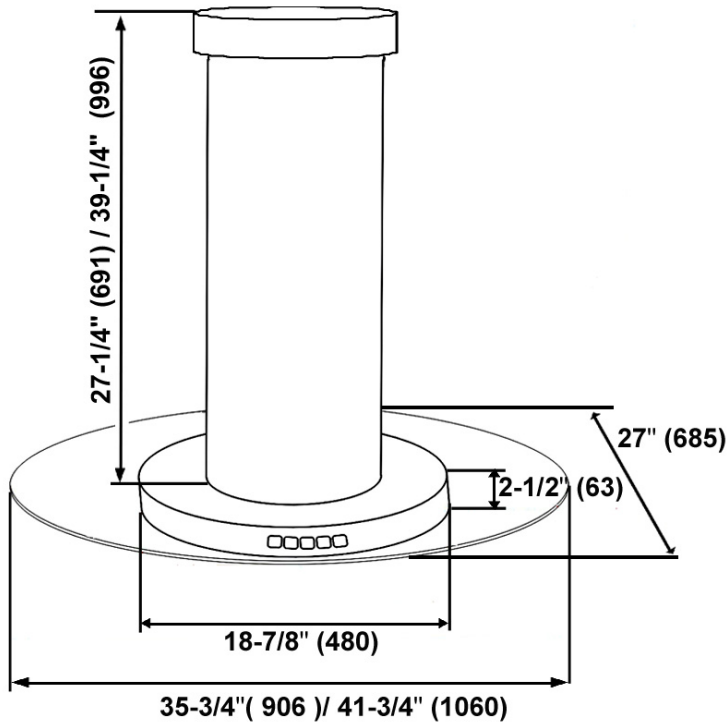
MODEL / SIZE	ISX2036GS-28 / 36" for 8' Ceiling ISX2036GS-40 / 36" for 9' Ceiling ISX2042GS-28 / 42" for 8' Ceiling ISX2042GS-40 / 42" for 9' Ceiling		
BOX 1 OF 3	Blower Unit		
BOX 2 OF 3	Glass Canopy		
BOX 3 OF 3	Duct Cover		
COLOR	Commercial Grade Stainless Steel		
CONSUMPTION / AMPERE	270W / 3.0A		
VOLTAGE	120V 60Hz		
FAN TYPE	Single Horizontal Squirrel Cage		
DESIGN	20-Gauge Seamless / Satin Finish		
EXHAUST	Top 6" Round with Damper		
CONTROLS	5 Touch-Button (1-Minute Delay Shut Off)		
HALOGEN LIGHTS	12V 20W x 4		
HOOD DIMENSION (W x D x H)	18-7/8" x 18-7/8" x 2-1/2"		
HOOD DIMENSION (With Glass and Duct Cover) (W x D x H)	35-3/4" x 27" x (30" or 42")* 41-3/4" x 27" x (30" or 42")*		
WEIGHT (lbs)		<u>Net</u>	<u>Gross</u>
	36" Glass Canopy	18.7	31.0
	42" Glass Canopy	22.0	35.0
	Duct Cover for 8' Ceiling	9.9	18.0
	Duct Cover for 9' Ceiling	13.2	20.0
	Body	13.2	29.0
SPEED	Low	Medium	High
Air Capacity (cfm)**	190	260	400
Sone (dB)	1.4 (45dB)	2.8 (55dB)	5.4 (64dB)

*Dimension of the hood height depends on the choice of the required duct cover.
Specifications subject to change without notice.

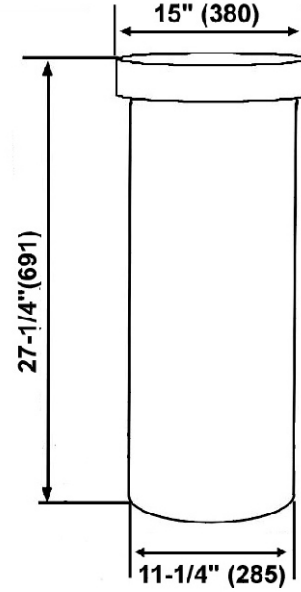
**In House Test Static Pressure "0".

MEASUREMENTS & DIAGRAMS

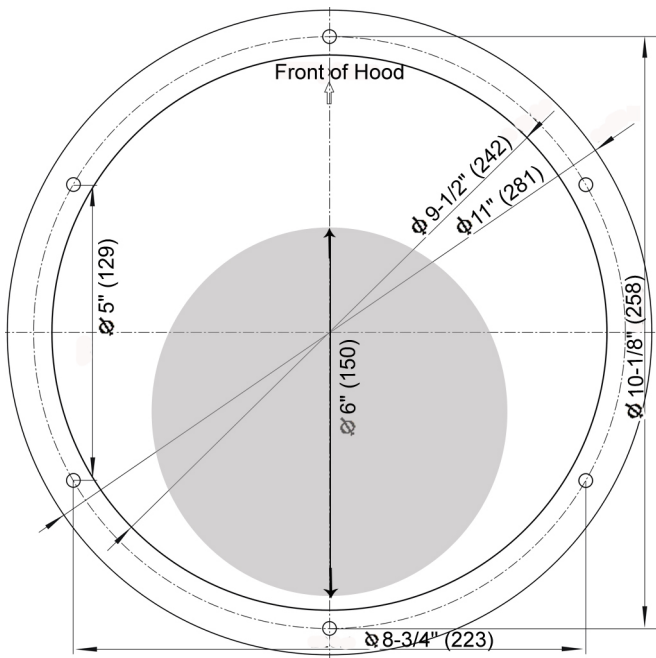
- ◆ All () measurements are in millimeter.
- ◆ All inch measurements are converted from millimeter. Inch measurements are estimated.



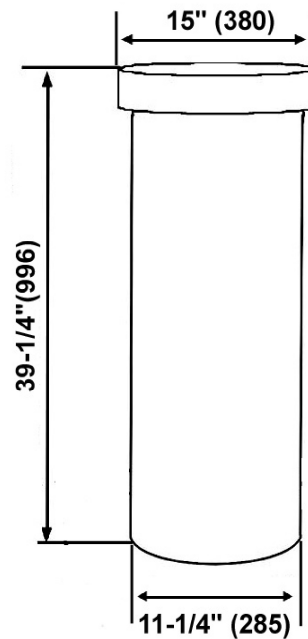
DUCT COVER FOR 8' CEILING



***Mounting Template



DUCT COVER FOR 9' CEILING



PARTS LIST

MODEL NO.: ISX2036GS-28
ISX2036GS-40
ISX2042GS-28
ISX2042GS-40

(Box 1 of 3)

NO.	DESCRIPTION	MODEL	PART NO.
01	Wiring Box		ISL120-1
02	Light Transformer		ISL120-2
03	Capacitor		ISL120-3
04	Processor Board		ISL120-4
05	Electronic Support Panel		ISL120-5
06	Wiring Box Cover		ISL120-6
07	6" Round Damper		ISL120-7
08	Air Chamber Support		ISL120-8
09	Stainless Steel Collar		ISL120-10
10	Motor		BRISL120-12
11	Motor Cover		ISL120-13
12	Air Chamber		ISL120-14
13	Squirrel Cage		ISL120-15
14	Locknut		ISL120-16
15	Blower Cover with Safety Screen		ISL120-17
16	Round Body		ISL120-19
17	Stainless Steel Filter		ISL120-20
18	Halogen Light		ISL120-21
19	Control Unit		ISL120-22
20	Control Unit Cover		ISL120-23

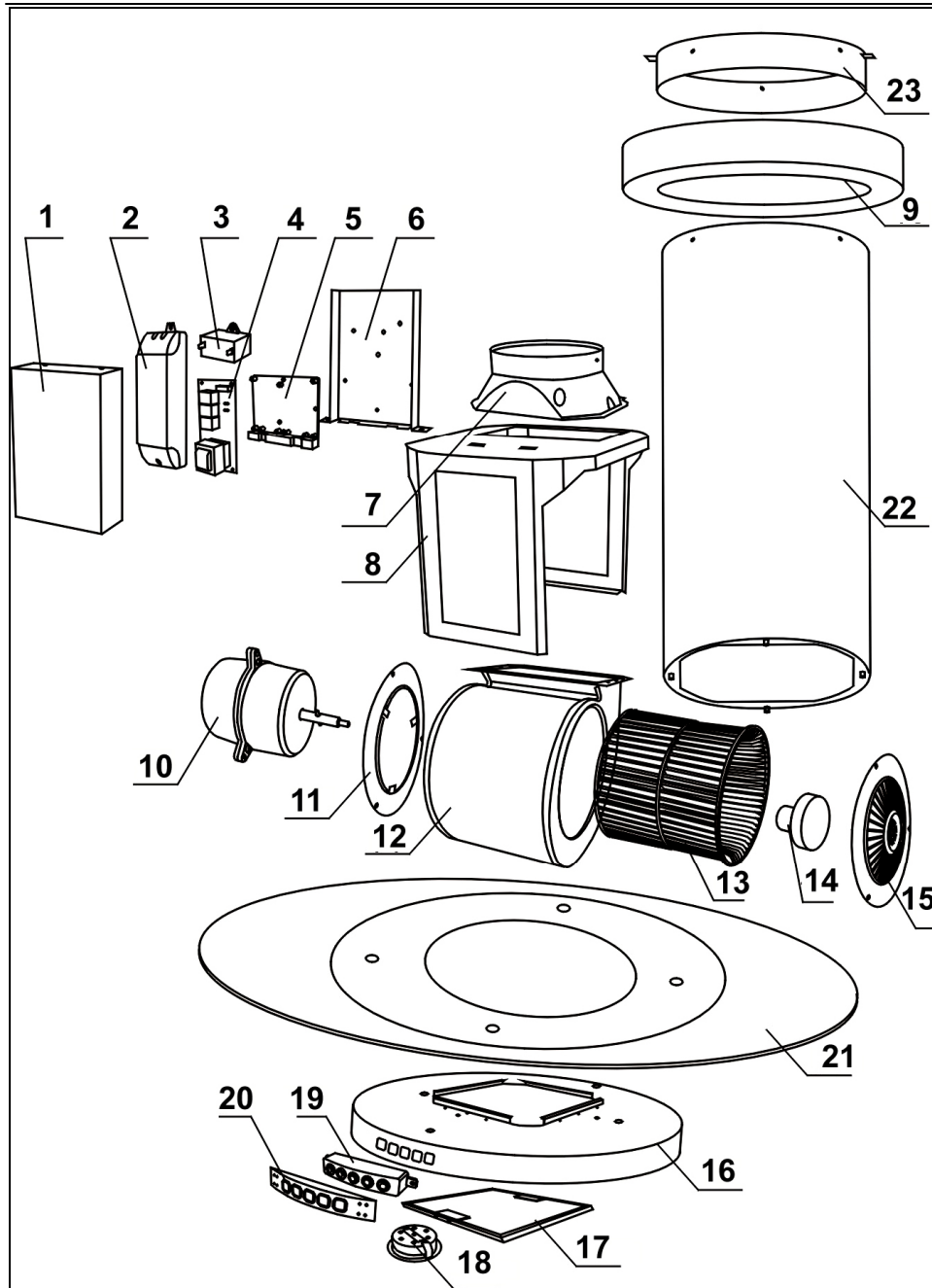
(Box 2 of 3)

NO.	DESCRIPTION	MODEL	PART NO.
21	Glass Canopy	ISX2036GS-28	ISL120-18
		ISX2036GS-40	
		ISX2042GS-28	ISL120-18-1
		ISX2042GS-40	

(Box 3 of 3)

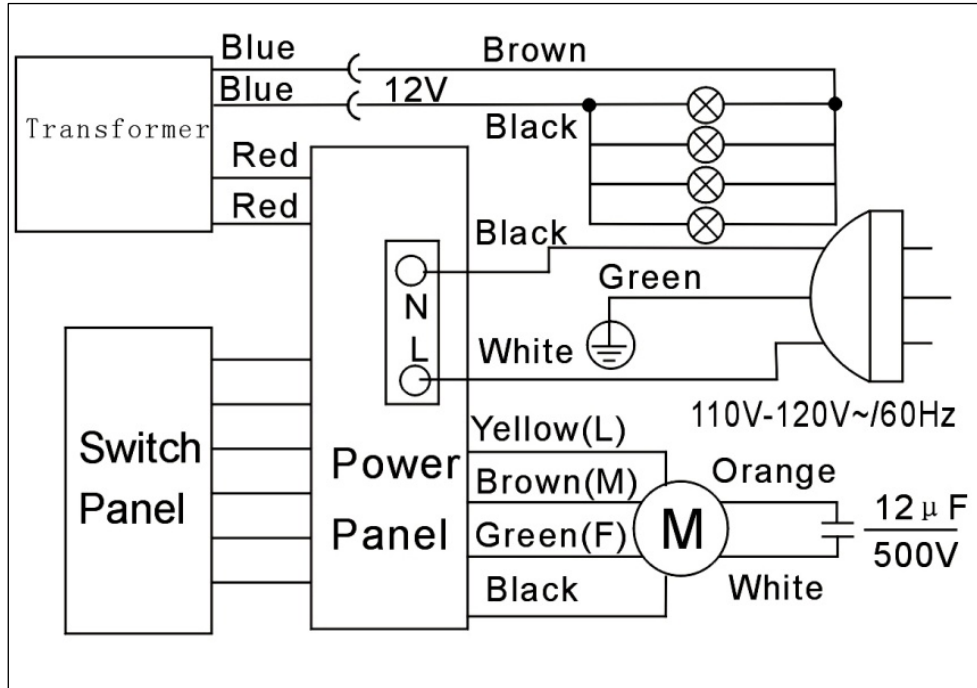
NO.	DESCRIPTION	MODEL	PART NO.
22	Duct Cover	ISX2036GS-28	ISL120-11
		ISX2042GS-28	
		ISX2036GS-40	ISL120-11-1
		ISX2042GS-40	
23	Mounting Bracket		ISL120-9

MODEL NO.: ISX2036GS-28
ISX2036GS-40
ISX2042GS-28
ISX2042GS-40



CIRCUIT DIAGRAM

MODEL NO.: ISX2036GS-28
ISX2036GS-40
ISX2042GS-28
ISX2042GS-40



Trouble Shooting

Issue	Possible Cause	Solution
After Installation, both motors and lights are not working.	The power is not on.	Make sure the circuit breaker and the unit's power is ON. Use a voltage meter to check the power supply.
	The wire connection is not secure.	Check and tighten wire connection.
	The control panel and processor board wiring are disconnected.	Check wire continuity from control panel to processor board.
	The motor transformer is defective.	Check the power input and power output on the motor transformer. If it's needed, replace the motor transformer.
	The control panel and processor board is defective.	Replace the control panel or processor board.
Lights are working, but motor(s) is not.	The motor(s) is defective.	Replace the motor.
	The capacitor(s) is defective.	Replace capacitor(s).
	The control panel or processor board is defective.	Replace the control panel or processing board.
The range hood is vibrating.	The blower system is not secure.	Tighten the turbine impeller/squirrel cage and air chamber.
	The turbine impeller/squirrel cage is not balanced.	Replace the turbine impeller/squirrel cage.
	Hood is not secured in place.	Check the installation of hood, tighten the mounting bracket.
The motor is working, but the lights are not working.	Halogen Light bulb(s) is defective.	Try placing the trouble light bulb(s) to a working socket, if the bulb(s) still doesn't work; replace the halogen light bulb(s).
	The light wiring(s) is loose.	Check wire continuity from processor board to light transformer to halogen light housing(s).
	Light transformer is defective.	Check power input and power output on the light transformer. If it's needed, replace the light transformer.
	The control panel or processor board is defective.	Replace the control panel or processing board.
The range hood is not venting out correctly.	The range hood is installed outside of the manufacture recommended clearance.	Adjust the clearance between the range hoods and cook top to 27" to 30". For Island range hood, the clearance between the range hoods and cook top is 30" to 36".
	There is no make-up air inside the house.	Open the window to enhance the performance of the range hood by creating a sufficient make-up air.
	Obstacle blocking the pipe work.	Remove all obstacles from the duct work.
	The pipe size is smaller than the suggested pipe size.	Change the ducting according to the manufacture suggestion.
Cold air is coming into the home.	The pipe connection is not properly sealed.	Check the pipe installation.
	The damper is not properly installed or is missing from the installation.	Check the damper installation.
	The damper is not installed.	By installing the damper, it will help to eliminate air backflow.

DISCLAIMER

1. **CAREFULLY INSPECT ALL ITEMS FOR DAMAGES BEFORE ACCEPTING DELIVERY. NOTE ANY DAMAGES ON THE FREIGHT BILL OR EXPRESS RECEIPT. REQUEST NAME AND SIGNATURE OF THE CARRIER'S AGENT AND KEEP COPY TO SUPPORT YOUR CLAIM.**

Upon acceptance of items, owner assumes responsibility for its safe arrival. Report damages to the carrier and file a claim immediately. Failure to do so may result in the denial of your claim. The carrier will furnish you with necessary forms for filing a claim.

DAMAGES CAUSED DURING TRANSIT ARE NOT COVERED UNDER OUR WARRANTY.

2. **PLEASE INSPECT CONTENTS OF PACKAGE(S) CAREFULLY UPON RECEIVING!**

We must be notified in writing of any damages and/or missing parts within the allocated days upon your receipt of package(s).

CLAIMS WILL NOT BE ACCEPTED AFTER THE ALLOCATED DAYS.

NOTE: ITEMS WERE THOROUGHLY TESTED AND CAREFULLY PACKED IN OUR FACTORY BEFORE SHIPPING.

3. Products must be returned in good working condition with ALL original parts and documentation packed in ALL original cartons, fillers and shipping cartons.

EXCHANGES OR RETURNS MAY NOT BE ACCEPTED IF ANY PACKAGING IS MISSING.

4. **MAKE SURE TO INSPECT THE HOOD FOR DAMAGES AND DEFECTS BEFORE INSTALLATION.** Appearance flaws of the hood found after installation and not affecting hood performance is not covered under our warranty for returns or exchanges. Service visits not covered under warranty will carry a service charge.

A) Before Installation: Return for exchange or refund (please see above for acceptable returns).

B) After Installation: **NO** exchange or refund.

WARRANTY

WARRANTY CERTIFICATE

KOBE Range Hoods warrants all products manufactured or supplied by it to be free from defects in workmanship and materials. Its obligations pursuant to this warranty are limited to a period of one year from the date of purchase and to the repair or replacement at its option and subject to the terms and conditions stated below, of any component part, which its examination shall disclose to be so defective.

ONE-YEAR PART WARRANTY

Any covered failure occurring within one year of original purchase arising from defective workmanship or material in manufacture will be, at our discretion, replaced free of charge by EPC Trading Inc. as applicable. Keep proof of purchase (or original invoice) handy for inspection.

If the range hood is sold by the original purchaser during the warranty period the new owner is protected until expiration of the original purchaser's warranty.

CONDITIONS

The following conditions apply only in relation to the warranty expressly given in this certificate.

- 1) This warranty applies only:
 - a) within U.S.A. and Canada.
 - b) to range hoods used for PRIVATE SINGLE FAMILY USE (if used for COMMERCIAL or MULTIPLE FAMILY USE or other purposes, warranty will be voided).
- 2) Repair of any fault to be provided under this warranty shall not be provided:
 - a) if the identification number attached to the range hood has been altered, rendered illegible or removed;
 - b) if notice of the defect has not been given within the period applicable;
 - c) for failure of light bulbs or heat lamps;
 - d) for physical damage;
 - e) for surfaces damaged by use of improper chemical cleaning agents;
 - f) if the appliance has been:
 - i) subject to misuse, abuse, negligence, accident, incorrect installation or failure to follow the operating instructions;
 - ii) connected to improper, inadequate or faulty electricity service or exhaust ducts, flues or duct cover, or operated using incorrect or contaminated lubricants;
 - iii) installed, maintained or operated otherwise than in accordance with the instructions furnished by KOBE Range Hoods including the improper use of detergents, bleaches, or cleaners.
 - g) for damage to range hood during transit, delivery, installation or removal;
 - h) for damage by or resulting from attempted repairs conducted by anyone other than our Authorized Service Agent.
 - i) noise or vibration caused by improper installation of range hood and/or damper.
- 3) The purchaser shall be responsible for any expenses involved in making the range hood readily accessible for servicing and where the range hood is installed outside the main sales territory of the retailer or service territory of the nearest approved KOBE Range Hoods Agent as applicable, for any

traveling expenses and any costs of transporting the range hood or parts thereof to and from the dealer or Service Agent

- 4) The purchaser must produce proof of purchase together with this warranty certificate when making the claim.
- 5) Damages caused during shipment are not covered under our warranty.

CONSEQUENTIAL DAMAGE

The warrantor is not responsible for any consequential damage. SOME STATES DO NOT ALLOW THE EXCLUSION OF CONSEQUENTIAL DAMAGE SO THE ABOVE EXCLUSION MAY NOT APPLY TO YOU.

IMPLIED WARRANTIES/STATE LAW

Any implied warranties, including the implied warranty of merchantability and fitness for purpose, imposed on the sale by the laws of the state of sale are limited to one year from the date of original purchase. Some states do not allow limitations on the duration of implied warranties. This warranty gives you specific legal rights, and may also have rights, which vary from state to state.

SERVICE

For service contact:

KOBE Range Hoods
11775 Clark Street
Arcadia, CA 91006
U.S.A.
Tel: (626) 775-8880
Email: Customer.Service@KOBERangeHoods.com
Website: www.KOBERangeHoods.com

PRODUCT REGISTRATION

Register Your Product!

Any covered failure occurring within one year of original purchase arising from defective workmanship or material in manufacture will be repaired or at our option the unit will be replaced free of charge by an authorized KOBE Range Hoods Agent or KOBE Range Hoods as applicable. Keep proof of purchase (original invoice) handy for inspection.

If the range hood is sold by the original purchaser during the warranty period the new owner is protected until expiration of the original purchaser's warranty. See warranty section for complete warranty coverage information.

This appliance has been manufactured, tested, and inspected to the standards required by KOBE Range Hoods.

PLEASE MAIL IN YOUR WARRANTY REGISTRATION CARD AND PROOF OF PURCHASE TO:

KOBE Range Hoods
Warranty Registration
11775 Clark Street
Arcadia, CA 91006
U.S.A.

RECORD THE FOLLOWING INFORMATION FOR YOUR RECORD:

Model No. _____

Serial No. _____

Purchased Date ____ / ____ / ____

Purchased From:

IMPORTANT: PLEASE KEEP A COPY OF YOUR SALE RECEIPT OR INVOICE HANDY WHEN REQUESTING SERVICE.

[FRENCH]

- LIRE ET CONSERVER CES INSTRUCTIONS -

CONTENU

CONSIGNES DE SÉCURITÉ IMPORTANTES	23
COMPOSANTS DE L'EMBALLAGE	25
INSTALLATION.....	26
MODE D'EMPLOI.....	30
ENTRETIEN PRÉVENTIF	31
SPÉCIFICATIONS.....	33
DIMENSIONS ET SCHÉMAS	34
LISTE DE PIÈCES	35
SCHÉMA DE CÂBLAGE	37
TROUBLE SHOOTING	38
AVIS DE NON-RESPONSABILITÉ	39
GARANTIE	40
ENREGISTREMENT DU PRODUIT.....	42

-LIRE ATTENTIVEMENT TOUTES LES CONSIGNES AVANT DE COMMENCER-

TOUT LE CÂBLAGE ÉLECTRIQUE DOIT ÊTRE EFFECTUÉ
PAR UN PROFESSIONNEL EN CONFORMITÉ AVEC LES CODES D'ÉLECTRICITÉ
LOCAUX ET NATIONAUX



CONSIGNES DE SÉCURITÉ IMPORTANTES

- VEUILLEZ LIRE ATTENTIVEMENT CETTE SECTION AVANT L'INSTALLATION -

⚠ AVERTISSEMENT- AFIN DE RÉDUIRE LES RISQUES D'INCENDIE, DE CHOC ÉLECTRIQUE ET DE BLESSURES, RESPECTEZ LES CONSIGNES SUIVANTES :

- 1) L'installation et le câblage électrique doivent être effectués, par des techniciens qualifiés, en conformité avec tous les codes et toutes les normes qui s'appliquent, même ceux relatifs aux constructions ignifugées.
- 2) Lorsque vous découpez ou percez un mur ou un plafond, prendre soin de ne pas endommager le filage électrique et autres conduits cachés.
- 3) Les hottes à évacuation doivent être évacuées à l'extérieur.
 - a. Avant une réparation, un entretien préventif ou un nettoyage, ouvrir le panneau d'éclairage et **COUPER LE COURANT ÉLECTRIQUE SUR LE PANNEAU DE SERVICE.**
 - b. Nettoyer fréquemment toutes les surfaces chargées de graisse. Afin de réduire les risques d'incendie et afin de disperser l'air adéquatement, évacuer l'air à l'extérieur. **NE PAS** ventiler l'air d'évacuation dans les murs, les greniers, les vides sanitaires et les garages.

NOTE - La garantie de cet appareil sera nulle sans le reçu d'un distributeur autorisé de KOBE RANGE HOODS ou si l'appareil est endommagé par une utilisation inadéquate, une installation déficiente, un usage inapproprié, un mauvais traitement, de la négligence ou par toute autre circonstance échappant au contrôle des distributeurs autorisés de KOBE RANGE HOODS. Toute réparation non effectuée sous la supervision d'un agent autorisé de KOBE RANGE HOODS annulera automatiquement la garantie.

- KOBE RANGE HOODS se dégage de toute responsabilité face à des dommages à la propriété personnelle ou aux biens immeubles ou encore à des blessures corporelles causées directement ou indirectement par la hotte de cuisinière.

⚠ AVERTISSEMENT- AFIN DE RÉDUIRE LES RISQUES DE BLESSURES CORPORELLES DANS L'ÉVENTUALITÉ D'UN INCENDIE DE GRAISSE SE DÉCLARANT SOUS LA HOTTE DE CUISINIÈRE :

- Tenir le ventilateur, déflecteur/entretoise/filtre/récupérateur de graisse/récipient à graisse et les surfaces chargées de graisse toujours propres. Les accumulations de graisse ne devraient pas être tolérées sur un ventilateur, déflecteur/entretoise/filtre/récupérateur de graisse/récipient à graisse.
- Toujours faire fonctionner la hotte lors de la cuisson.
- Utiliser les températures élevées de la cuisinière **UNIQUEMENT** lorsque nécessaire.
- Ne pas laisser la cuisinière sans surveillance lors d'une cuisson.
- Toujours utiliser les articles de cuisson et les ustensiles appropriés au type et à la quantité d'aliments préparés.
- Utiliser l'appareil uniquement pour l'usage auquel le fabricant l'a destiné.
- Avant l'entretien courant, couper l'alimentation électrique au panneau de service et verrouiller ce dernier (si possible) pour éviter une mise en marche accidentelle.
- Nettoyer fréquemment le ventilateur.

Que faire en cas d'un incendie de graisse sur la cuisinière?

- ÉTOUFFER LES FLAMMES à l'aide d'un couvercle hermétique, une plaque à biscuits ou un plateau en métal, puis fermer le rond ou le brûleur. GARDER LES MATÉRIAUX INFLAMMABLES OU COMBUSTIBLES LOIN DES FLAMMES. Si les flammes ne s'éteignent pas immédiatement, ÉVACUER LA ZONE ET APPELER LE SERVICE D'INCENDIE ou le 911.
- NE JAMAIS SOULEVER UNE CASSEROLE EN FEU - Il y a risque de brûlure.
- NE PAS UTILISER D'EAU y compris serviettes ou linges à vaisselle mouillés - cela provoquerait un violent jet de vapeur.
- Utiliser un extincteur SEULEMENT si :
 - a) vous possédez un extincteur de classe A, B ou C et savez vous en servir;
 - b) le feu est petit et est contenu dans la zone de départ;
 - c) vous avez appelé le service d'incendie;
 - d) vous pouvez combattre le feu le dos près d'une sortie.

Que faire si une odeur de gaz se dégage?

- Éteindre toute flamme nue.
- Ne pas essayer d'allumer des lumières ou tout type d'appareil électroménager.
- Ouvrir toutes les portes et fenêtres afin de chasser le gaz. Si une odeur de gaz est toujours perceptible, appeler immédiatement votre fournisseur de gaz ainsi que le service d'incendie.

ATTENTION

- 1) Cette hotte doit être utilisée uniquement pour une ventilation normale. Ne pas s'en servir pour évacuer des substances et vapeurs dangereuses ou explosives.
- 2) Afin de réduire les risques d'incendie, employer seulement des conduits de métal. Il doit y avoir suffisamment d'air pour une combustion et une évacuation des gaz appropriées par le conduit de fumée (cheminée) afin d'éviter le refoulement d'air.
- 3) Suivre les directives et les consignes de sécurité des fabricants d'équipement de chauffage comme celles publiées par le *National Fire Protection Association (NFPA)* et l'*American Society for Heating, Refrigeration and Air Conditioning Engineers (ASHRAE)* de même que les codes en vigueur.
- 4) L'activation de tout interrupteur peut provoquer l'allumage ou une explosion.
- 5) En raison de la taille et du poids de la hotte, il est recommandé que deux personnes participent à l'installation.

AVERTISSEMENT



RISQUE DE CHOC ÉLECTRIQUE – pouvant entraîner la mort ou des blessures graves. Couper l'alimentation électrique à l'appareil avant tout entretien ou réparation. Si la hotte est munie d'une ampoule fluorescente, cette dernière contient une petite quantité de mercure et, en conséquence, elle doit être recyclée ou éliminée conformément aux codes locaux, provinciaux et fédéraux qui s'appliquent.

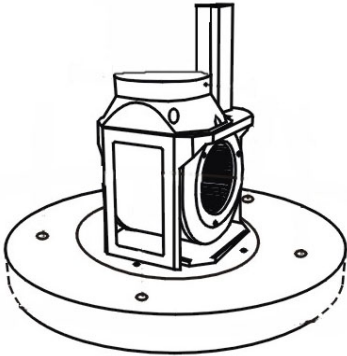
COMPOSANTS DE L'EMBALLAGE

(Garder tous les matériaux pour retours ou remboursements)

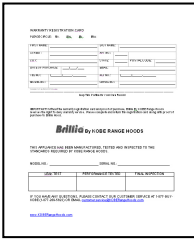
Boîte 1 de 3

- {A} Hotte de cuisine Brillia
- {B} Carte d'enregistrement de garantie
- {C} Manuel d'instruction
- {D} Filtre en acier inoxydable – 1
- {E} Colletette en acier inoxydable – 1

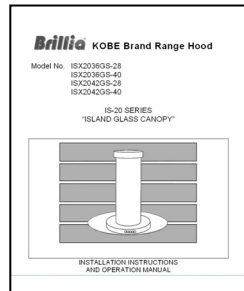
{A}



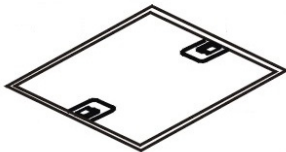
{B}



{C}



{D}

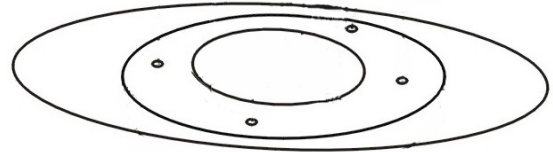


{E}



Boîte 2 de 3



- {F} Garniture en verre – 1





Boîte 3 de 3

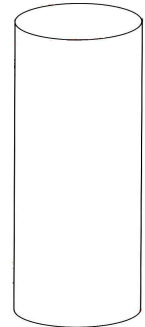
- {G} Emballage de vis – 1
- {H} Enveloppe de conduit un morceau – 1
- {I} Support de fixation – 1
- {J} Gabarit d'assemblage

- {G} Toutes les vis ci-joint aux unités
- {H}

  M5 x 20 (4 pcs) and washers (4 sets)

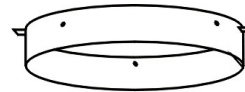
  M8 (4 pcs) and washers (4 pcs)

 M5 x 10 (5 pcs)

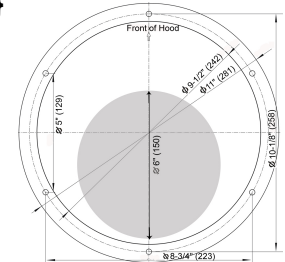


M5 x 20 (4 mcx) et rondelles (4 ens)
M8 (4 mcx) et rondelles (4 mcx)
M5 x 10 (5 mcx)

{I}



{J}



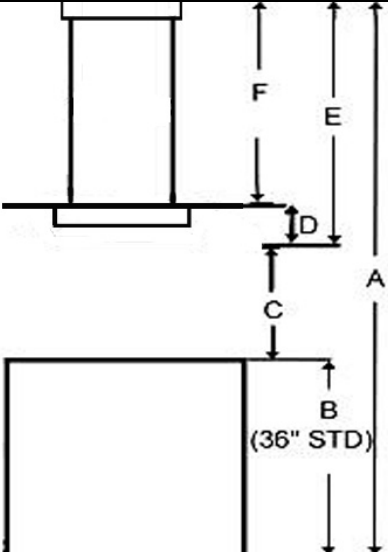
♦ POUR PLUS D'INFORMATIONS, VEUILLEZ COMMUNIQUER AVEC KOBÉ RANGE HOODS AU (626) 775-8880.

INSTALLATION

VEUILLEZ LIRE LES INSTRUCTIONS AU COMPLET AVANT DE DÉBUTER

Calculs avant l'installation

Pour faire les calculs avant l'installation, veuillez vous référer au TABLEAU 1. (Tous les calculs sont en pouces.)

TABLEAU 1	
<p>A = Hauteur du plancher au plafond B = Hauteur du plancher au dessus du comptoir (Standard : 36") C = Hauteur préférée du dessus du comptoir au bas de la hotte (Recommandé 30" à 36") D = Hauteur de la hotte E = Hauteur de l'installation de la hotte [A - (B+C)] F = Hauteur de l'enveloppe du conduit [E - D]</p>	

⚠ AVERTISSEMENT DE SÉCURITÉ

LA HOTTE PEUT AVOIR DES COINS TRÈS COUPANTS ; VEUILLEZ PORTER DES GANTS PROTECTEURS SI NÉCESSAIRE POUR ENLEVER TOUTES PIÈCES POUR L'INSTALLATION, LE NETTOYAGE OU L'ENTRETIEN.

REMARQUE : SOYEZ PRUDENTS LORSQUE VOUS UTILISEZ UN TOURNEVIS ÉLECTRIQUE AFIN D'ÉVITER TOUT DOMMAGE À LA HOTTE.

Préparation avant l'installation

REMARQUE :
AFIN D'ÉVITER TOUS DOMMAGES À VOTRE HOTTE, EMPÊCHEZ LES DÉBRIS D'ENTRER DANS L'ORIFICE DE VENTILATION

- Choisissez l'endroit de la canalisation de ventilation à partir de la hotte jusqu'à l'extérieur. (Photo 1)
- Une longueur courte et droite permettra à la hotte de fonctionner de façon plus efficace.
- Essayez d'éviter le plus possible les raccordements, les coudes et les grandes longueurs. Ceci pourrait réduire la performance de la hotte.
- Faites un câblage temporaire avant d'installer, afin de vérifier l'efficacité du fonctionnement.
- **Important : Si nécessaire, enlevez le film protecteur de la hotte et des enveloppes de conduits.**
- Utilisez du ruban à conduits pour sceller les joints entre les sections des canalisations.

Planification préliminaire

1. Marquez les lignes médianes de la table de cuisson ou de la cuisinière sur le plafond. Utilisez les marques des lignes médianes sur le plafond pour positionner le gabarit d'assemblage tel qu'illustré aux Photo 2 et 3.
2. Enlevez et conservez le gabarit. Coupez et enlevez la cloison sèche du plafond. Installez des bois de charpente de 2" x 4" en croix (non fournis) entre les solives de plafond.
3. La charpente doit être espacée de 10" à l'avant de la ligne médiane et de 8-5/8" sur les côtés pour accommoder la vis de montage dans le support de fixation. Consultez DIMENSIONS ET SCHÉMAS à la page 34.
4. Finissez la surface du plafond. Assurez-vous de marquer l'emplacement des solives de plafond et des bois de charpentes en croix.

Photo 1

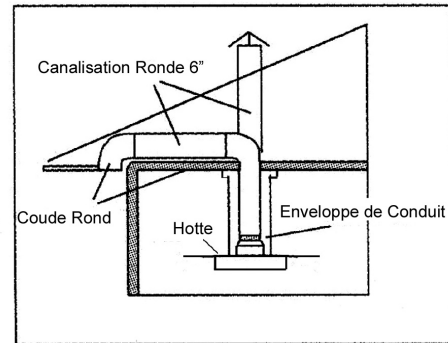


Photo 2

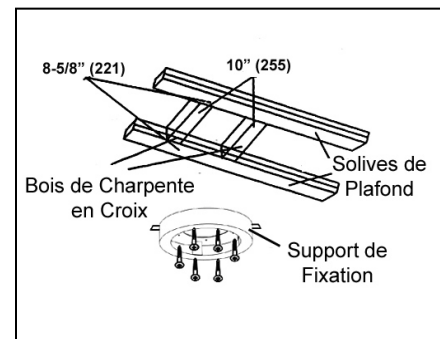
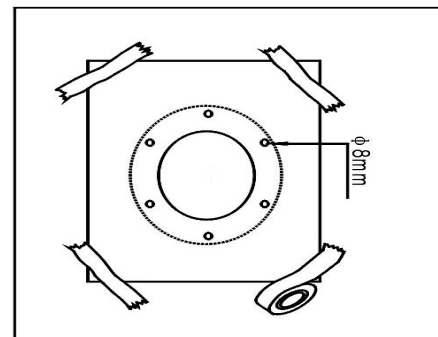
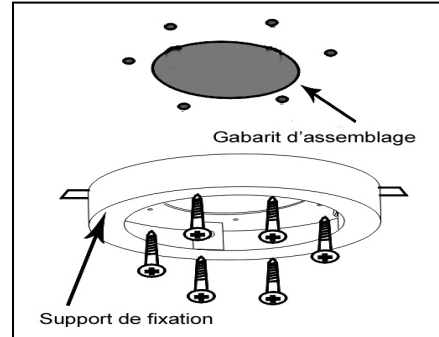


Photo 3



5. Alignez le gabarit d'assemblage avec les marques au plafond et fixez en place avec du ruban adhésif. Coupez une ouverture de 6-1/4" pour le conduit et un trou d'environ 1" pour faire passer le câblage. Percez des trous pour les 6 vis de montage tel qu'indiqué sur le gabarit. (Photo 3)
6. Alignez le support de fixation aux trous déjà percés au plafond et attachez solidement aux solives et aux bois de charpente en croix avec 6 vis (non fournies). Pour un support maximal, assurez-vous que les vis sont bien entrées au milieu des solives et des bois de charpente en croix. (Photo 4)

Photo 4



Câblage jusqu'à l'alimentation en électricité

⚠️ AVERTISSEMENT DE SÉCURITÉ

RISQUE DE DÉCHARGE ÉLECTRIQUE. CETTE HOTTE DE CUISINE DOIT ÊTRE MISE À LA TERRE CORRECTEMENT. ASSUREZ-VOUS QUE CE CI SOIT EFFECTUÉ PAR UN ÉLECTRICIEN QUALIFIÉ SELON LES CODES NATIONAUX, LOCAUX DE L'ÉLECTRICITÉ. AVANT DE CONNECTER DES FILS, COUPEZ LE COURANT À PARTIR DU PANNEAU DE SERVICE ET VERROUILLEZ LE PANNEAU DE SERVICE AFIN D'ÉVITER QUE LE COURANT NE SOIT ACTIVÉ ACCIDENTELLEMENT.

- Faites passer le câblage électrique dans le plafond aussi près que possible de l'installation. Prévoyez une longueur supplémentaire pour descendre du plafond jusqu'à la boîte électrique.
- Connectez les fils électriques selon les couleurs (noir avec noir, blanc avec blanc, et vert avec vert) et fermez avec des capuchons de connexion. Le fil vert doit être mis à la terre afin de réduire le risque de décharge électrique.

Photo 5

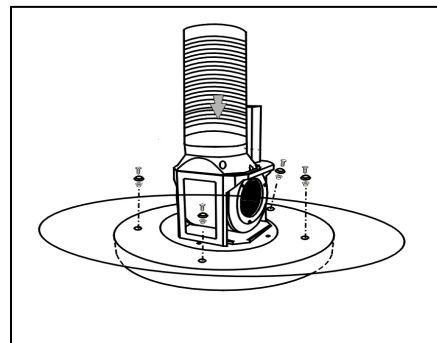
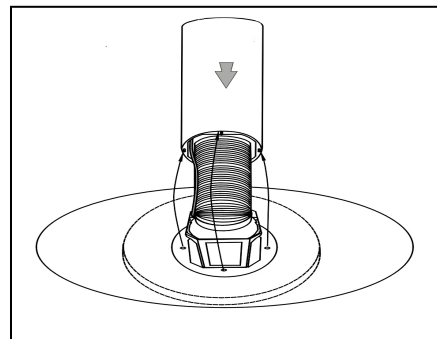


Photo 6



Installation du système de conduits

- Utilisez une canalisation ronde de 6" en aluminium ou en métal (non fournie) pour connecter le clapet rond de 6" sur la hotte au système de conduits ci-dessus.

REMARQUE : Placez le conduit de canalisation rond de 6" sur le clapet. Scellez avec du ruban à conduits afin de que les joints soient isolés de façon sécuritaire.

REMARQUE : ASSUREZ-VOUS QUE LES ABATTANTS SUR LE CLAPET PUISSENT OUVRIR ET FERMER LIBREMENT. (Photo 5)

Installation de l'enveloppe de conduit

10. Glissez la garniture en verre dans le système de ventilation. Fixez sécuritairement le verre sur le dessus de la hotte de cuisine avec 4 vis (M5 x 20) et 4 rondelles (fournies). (Photo 5)
11. Glissez l'enveloppe de conduit dans l'unité de ventilation, fixez sécuritairement sous l'unité de ventilation avec 4 écrous (M8) et 4 rondelles (fournis). Consultez les Photos 6 et 7.
12. Glissez soigneusement la collerette en acier inoxydable à travers l'enveloppe de conduit jusqu'au dessus du verre. Consultez la Photo 8.
13. En vous faisant aider, alignez l'enveloppe de conduit avec le support de fixation et fixez avec 5 vis (M5 x 10) (fournies). Consultez la Photo 9. **Important : Assurez-vous que l'orientation de la hotte soit correcte avant de la fixer.**
14. Glissez la collerette d'acier inoxydable vers le dessus de l'enveloppe de conduit. Consultez la Photo 10.
15. Verrouillez la collerette d'acier inoxydable vers la gauche ou la droite pour la fixer sécuritairement.
16. Enlevez le film protecteur de la collerette d'acier inoxydable.
17. Mettez le filtre d'acier inoxydable en place.

Assemblage final

18. Mettez sous tension et vérifiez toutes les lumières et le fonctionnement du ventilateur.
19. Assurez-vous de laisser ce manuel au propriétaire.

Photo 7

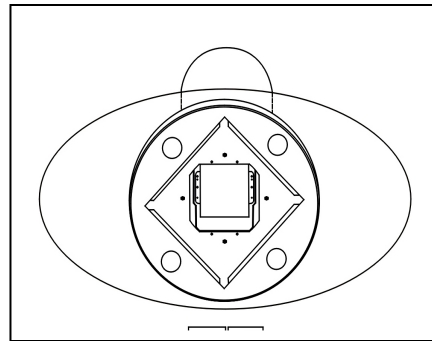


Photo 8

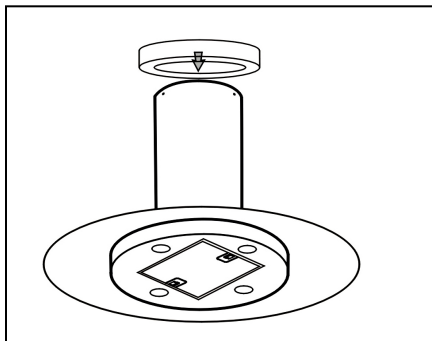


Photo 9

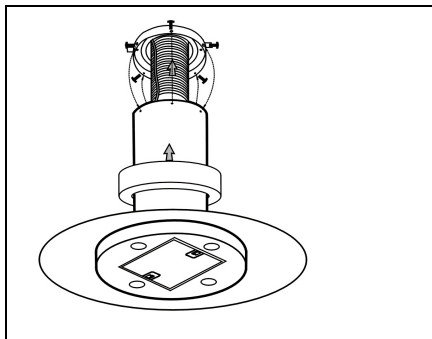
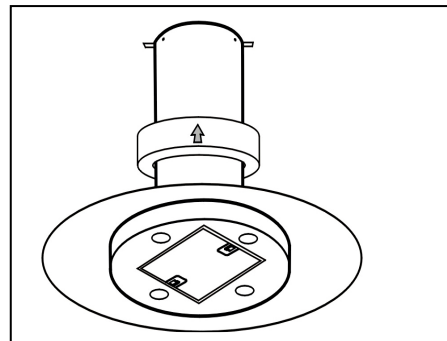


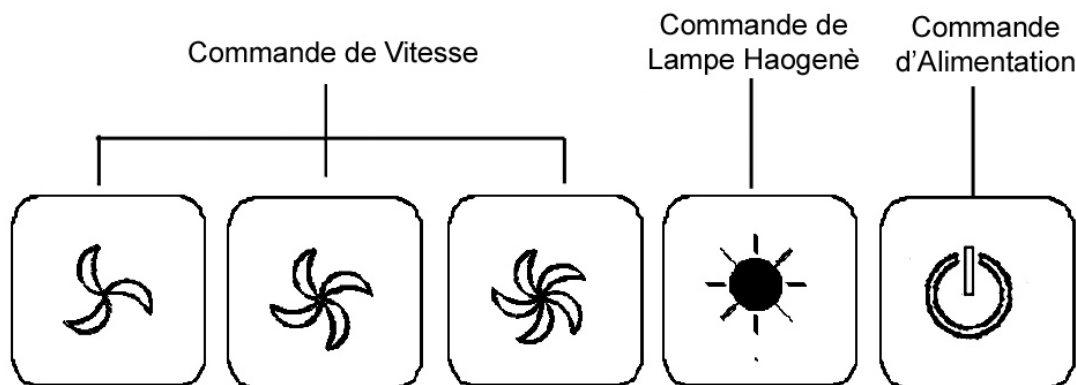
Photo 10



MODE D'EMPLOI

Cette hotte Brillia est munie de cinq touches, de single cages écureuil horizontales avec filtre en acier inoxydable, et de 4 lampes halogènes claires 12V/20W.

Les cinq touches sont Commande d'alimentation (Marche/Arrêt), Commande de vitesse (Basse, Moyenne, et Élevée), et Commande des lumières.



Remarque : Pour de meilleurs résultats, mettez la hotte à vitesse basse avant toute préparation ou cuisson. Ajustez la vitesse selon les besoins.

Commande d'alimentation

Appuyez sur la Commande d'alimentation pour mettre en marche ou arrêter la hotte.

Cet appareil est équipé d'un arrêt avec délai d'une minute. Pour activer cette caractéristique, appuyez sur la touche Commande d'alimentation une fois, les lumières du panneau clignoteront et l'alimentation sera complètement coupée après 1 minute.

Appuyez sur la Commande d'alimentation deux fois et le ventilateur s'arrêtera immédiatement.

Commande de vitesse

Appuyez sur Commande de vitesse pour activer la vitesse Basse, Moyenne ou Élevée.

Commande des lumières

(La Commande des lumières est séparée de la Commande Marche/Arrêt. Mettre en mode Arrêt n'éteindra pas les lumières.)

Appuyez sur la Commande des lumières pour ALLUMER ou ÉTEINDRE les lumières.

ENTRETIEN PRÉVENTIF

AVERTISSEMENT DE SÉCURITÉ

NE JAMAIS METTRE LA MAIN DANS L'EMPLACEMENT QUI CONTIENT LE VENTILATEUR LORSQUE LE VENTILATEUR EST EN MARCHÉ.

Nettoyage de la surface de la hotte

MISE EN GARDE : NE JAMAIS UTILISER DE NETTOYANTS, DE TAMPONS OU DE LINGES ABRASIFS.

Pour une opération optimale, nettoyez régulièrement la hotte de cuisine et tous les déflecteurs/espacements/filtres/tunnels d'huile/contenants d'huile.

***Un entretien régulier aidera à préserver l'apparence de la hotte.

1. Utilisez uniquement un savon ou un détergent doux. Asséchez les surfaces avec un linge doux. N'UTILISEZ PAS DE PAPIER ESSUIE-TOUT.
2. Si la hotte semble tachée, (hotte en acier inoxydable), utilisez un nettoyeur d'acier inoxydable pour nettoyer les surfaces de la hotte. Évitez de mettre la solution de nettoyage sur ou dans le panneau de commande. Suivez les instructions du nettoyeur d'acier inoxydable. **Mise en garde : Ne laissez pas la solution de nettoyage agir trop longtemps puisque ceci pourrait endommager le fini de la hotte.** Utilisez un linge doux pour essuyer la solution de nettoyage, frottez délicatement toutes taches rebelles. Utilisez un linge doux et sec pour essuyer la hotte.
3. NE LAISSEZ PAS de dépôts s'accumuler ou rester sur la hotte.
4. NE PAS UTILISER de la laine d'acier ordinaire ou des brosses de métal. De petits morceaux d'acier peuvent adhérer à la surface et causer de la rouille.
5. NE LAISSEZ PAS de solutions salines, de désinfectants, de javellisant, ou de produits de nettoyages en contact avec l'acier inoxydable pour des périodes prolongées. Plusieurs de ces produits contiennent des produits chimiques qui peuvent être nocifs. Rincez avec de l'eau et asséchez avec un linge propre.

Pour nettoyer le filtre en acier inoxydable

MISE EN GARDE : L'HUILE DE VIDANGE DE CHICANES, SPACERS(S), FILTERS, HUILE TUNNEL(S) ET LES CONTENANTS D'HUILE AVANT LE PETROLE ET LE RESIDU PEUT DEBORDEMENT.

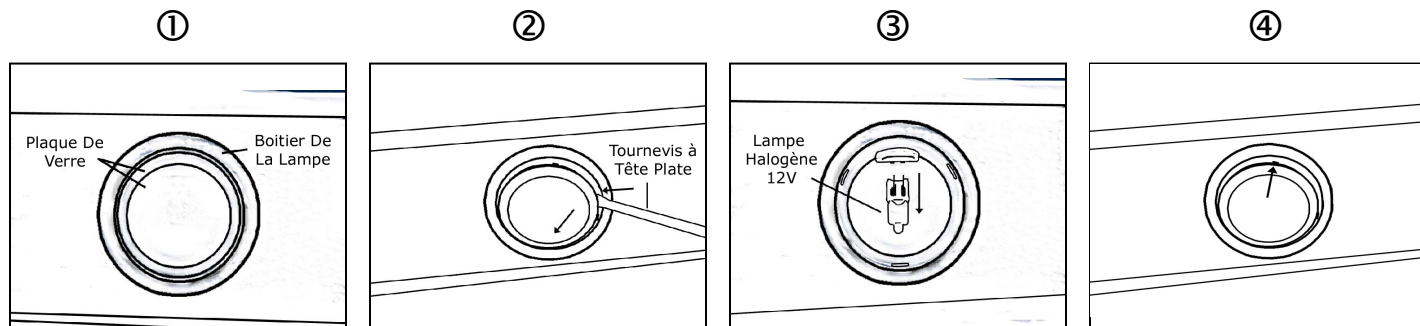
Pour nettoyer le filtre en acier inoxydable

1. Enlevez le filtre en acier inoxydable.
2. Lavez à l'eau tiède savonneuse. Essuyez complètement avant de remettre en place.

Remplacement D'une Ampoule

⚠ AVERTISSEMENT: LA LAMPE HALOGÈNE PEUT ÊTRE BRÛLANTE! ATTENDRE QU'ELLE SE REFROIDISSE.

NOTE: Ne pas toucher la lumière halogène avec les mains nues, ce qui pourrait causer plus de chaleur et de réduire la portance des ampoules électriques.



1. S'assurer que toutes les commandes sont en mode ARRÊT et que la hotte de cuisinière est débranchée.
2. Glisser le tournevis à tête plate dans l'espace entre la plaque de verre et le boîtier de la lampe ①.
3. Retirer la plaque de verre ②.
4. En douceur, tirer sur l'ampoule défectueuse pour l'enlever ③ et la jeter. Les ampoules à utiliser doivent être de 12 V et de 20 W au maximum.
5. À l'aide d'un linge, tenir la nouvelle ampoule et la pousser fermement dans la douille.
6. Remettre la plaque de verre par-dessus le boîtier ④.
7. Brancher la hotte de cuisinière pour en vérifier le fonctionnement.

SPÉCIFICATIONS

MODÈLES / POINTURE	ISX2036GS-28 / 36" pour 8' plafond ISX2036GS-40 / 36" pour 9' plafond ISX2042GS-28 / 42" pour 8' plafond ISX2042GS-40 / 42" pour 9' plafond
BOÎTE 1 DE 3	Unité de ventilation
BOÎTE 2 DE 3	Garniture en verre
BOÎTE 3 DE 3	Enveloppe de conduit
COULEUR	Acier inoxydable de qualité commerciale
CONSOMMATION / AMPÈRE	270W / 3.0A
TENSION	120V 60Hz
TYPE DE MOTEUR	Cage écureuil horizontale
DESIGN	Fini satiné / sans couture 20 gauge
ÉVACUATION	Clapet supérieur rond 6"
COMMANDES	5 touches (Arrêt avec délai d'une minute)
LAMPES HALOGÈNES	12V 20W x 4
DIMENSION DE LA HOTTE (L x P x H)	18-7/8" x 18-7/8" x 2-1/2"
DIMENSION DE LA HOTTE (Incluant le verre et l'enveloppe de conduit) (L x P x H)	35-3/4" x 27" x (30" or 42")* 41-3/4" x 27" x (30" or 42")*

POIDS (lb)		<u>Net</u>	<u>Brut</u>
	36" Garniture en verre	18.7	31.0
	42" Garniture en verre	22.0	35.0
	Enveloppe de conduit pour 8' plafond	9.9	18.0
	Enveloppe de conduit pour 9' plafond	13.2	20.0
	Hotte de cuisine	13.2	29.0

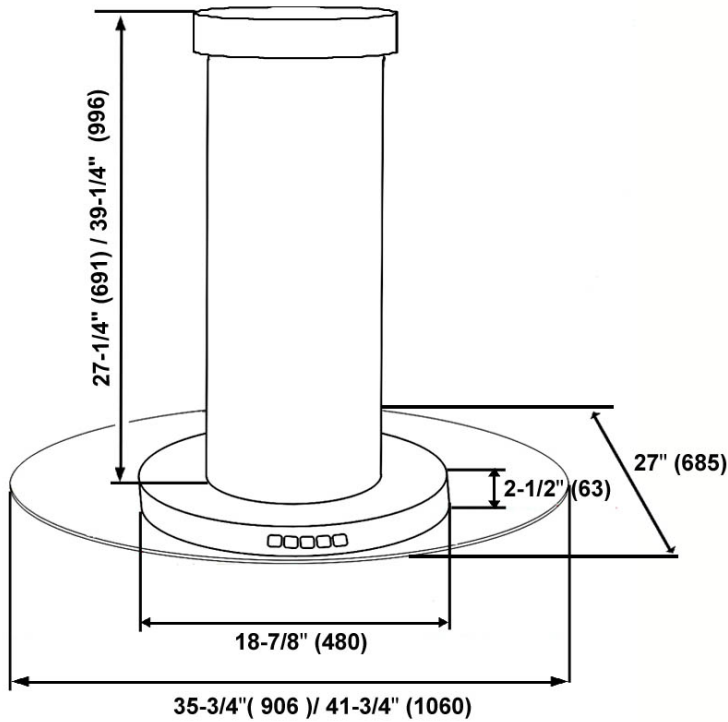
VITESSE	Basse	Moyenne	Élevée
Capacité d'air (cfm)**	190	260	400
Sone (dB)	1.4 (45dB)	2.8 (55dB)	5.4 (64dB)

*La dimension de la hauteur de la hotte dépend du choix de l'enveloppe de conduit requise.
Spécifications sujettes à des changements sans préavis.

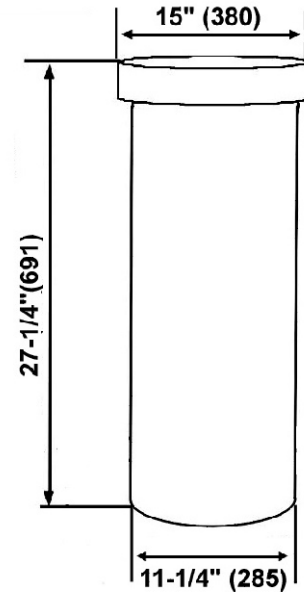
**Test interne de pression statique "0".

DIMENSIONS ET SCHÉMAS

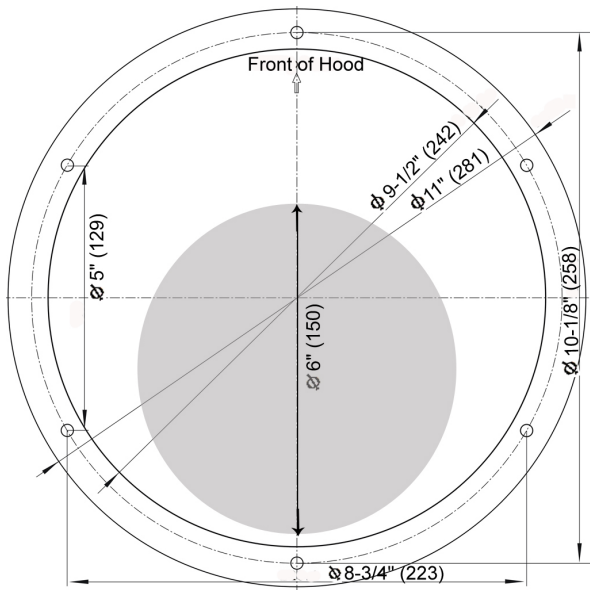
- ◆ Toutes () les dimensions sont en millimètres.
- ◆ Toutes les dimensions en pouces sont converties à partir de millimètres. Les dimensions en pouces sont estimatives.



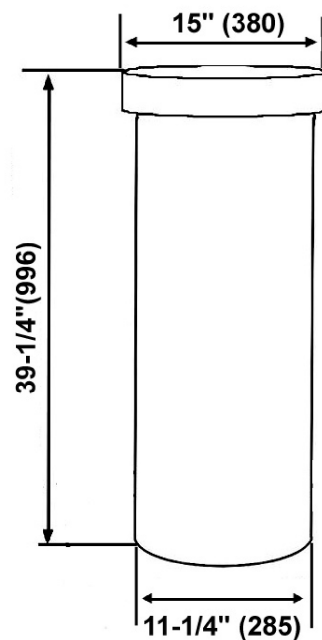
Enveloppe de conduit pour 8' plafond



***Gabarit d'assemblage



Enveloppe de conduit pour 9' plafond



LISTE DE PIÈCES

MODÈLES NO.: ISX2036GS-28
 ISX2036GS-40
 ISX2042GS-28
 ISX2042GS-40

(Boîte 1 de 3)

NO.	DESCRIPTION	MODÈLE	NO. PIÈCE
01	Boîte de connexions		ISL120-1
02	Transformateur de lumière		ISL120-2
03	Condensateur		ISL120-3
04	Carte processeur		ISL120-4
05	Panneau de soutien électronique		ISL120-5
06	Enveloppe de boîte de connexions		ISL120-6
07	Clapet rond 6"		ISL120-7
08	Soutien de réservoir d'air		ISL120-8
09	Collerette en acier inoxydable		ISL120-10
10	Moteur		BRISL120-12
11	Enveloppe de moteur		ISL120-13
12	Réservoir d'air		ISL120-14
13	Cage écureuil		ISL120-15
14	Contre-écrou		ISL120-16
15	Enveloppe de ventilateur avec écran de sécurité		ISL120-17
16	Bâti rond		ISL120-19
17	Filtre en acier inoxydable		ISL120-20
18	Lampe halogène		ISL120-21
19	Bloc de commandes		ISL120-22
20	Enveloppe pour bloc de commandes		ISL120-23

(Boîte 2 de 3)

NO.	DESCRIPTION	MODÈLE	NO. PIÈCE
21	Garniture en verre	ISX2036GS-28	ISL120-18
		ISX2036GS-40	
		ISX2042GS-28	ISL120-18-1
		ISX2042GS-40	

(Boîte 3 de 3)

NO.	DESCRIPTION	MODÈLE	NO. PIÈCE
22	Enveloppe de conduit	ISX2036GS-28	ISL120-11
		ISX2042GS-28	
		ISX2036GS-40	ISL120-11-1
		ISX2042GS-40	
23	Support de fixation		ISL120-9

MODÈLES NO.: ISX2036GS-28
ISX2036GS-40
ISX2042GS-28
ISX2042GS-40

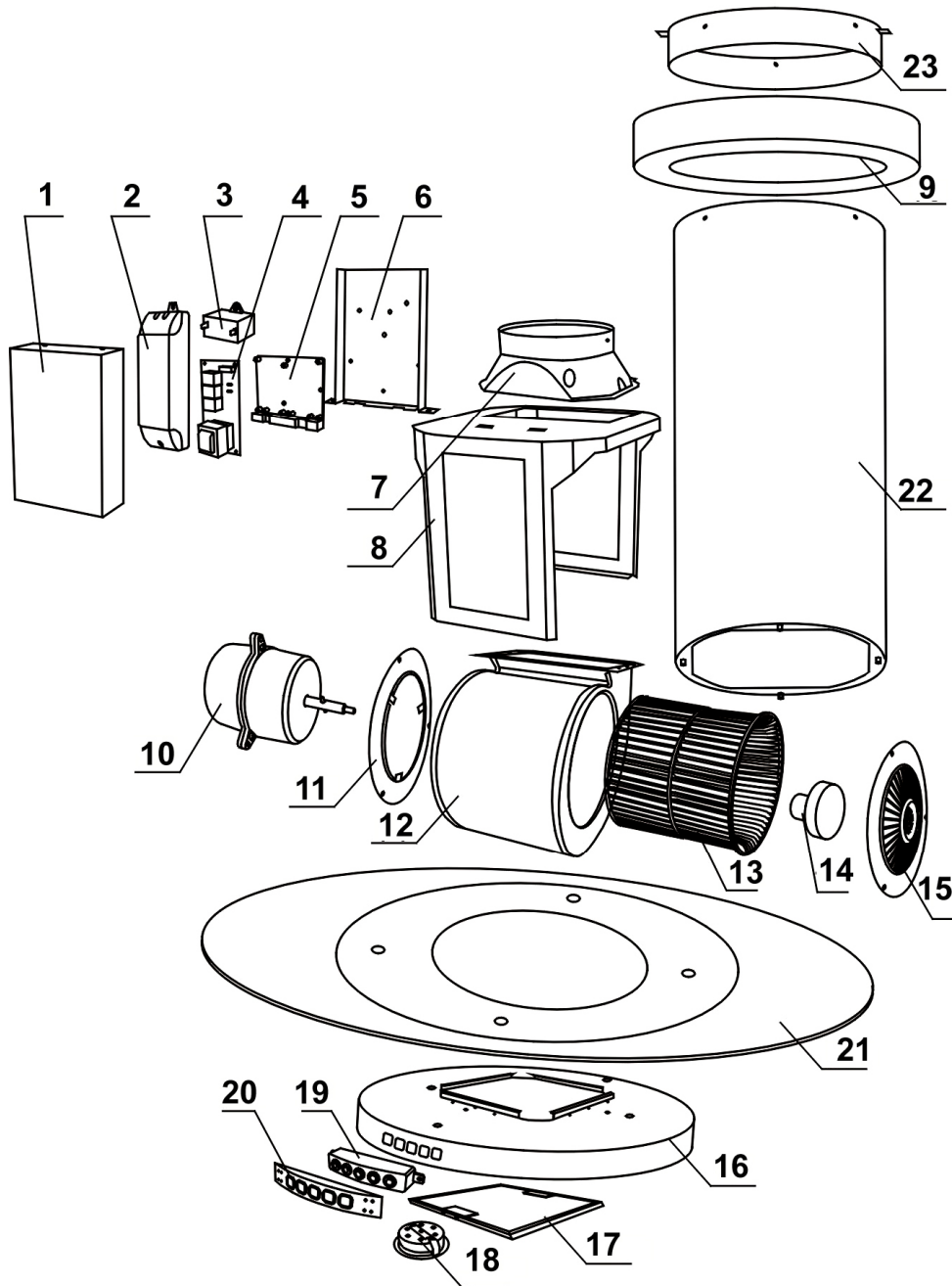
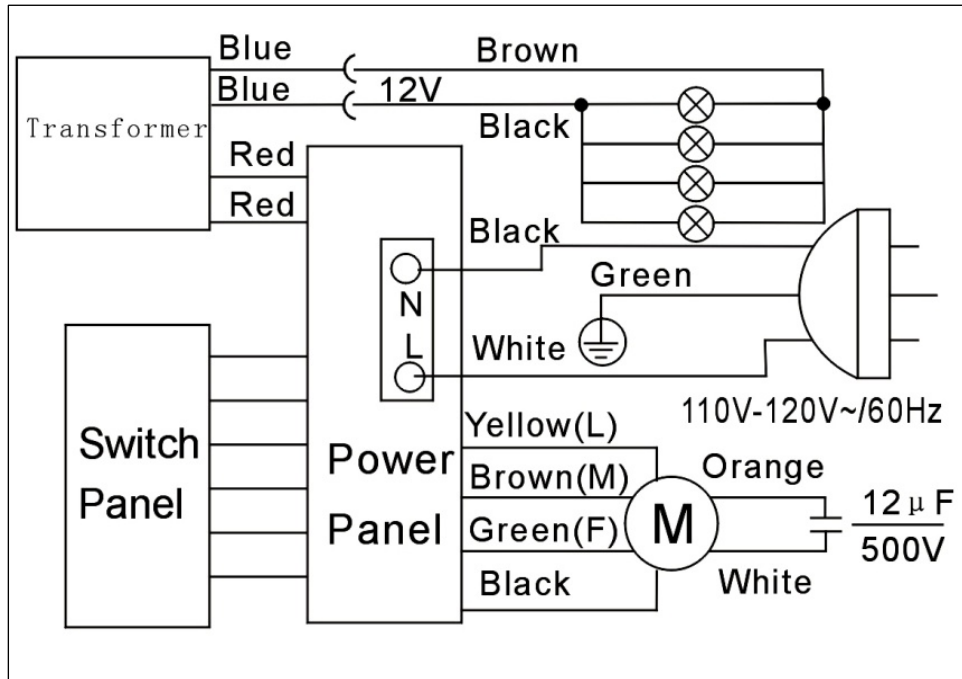


SCHÉMA DE CÂBLAGE

MODÈLES NO.: ISX2036GS-28
 ISX2036GS-40
 ISX2042GS-28
 ISX2042GS-40



Transformer = Transformateur
 Switch panel = Panneau d'interrupteurs
 Power panel = Panneau d'alimentation
 Blue = Bleu
 Brown = Brun
 Red = Rouge
 Yellow = Jaune
 Green = Vert
 Black = Noir
 White = Blanc
 Orange = Orange

TROUBLE SHOOTING

Problème	Cause probable	Solution
Après l'installation, les deux moteurs et les lumières ne fonctionnent pas.	Pas d'alimentation électrique. Assurez-vous que le disjoncteur et que l'alimentation électrique soient en marche.	Utilisez un voltmètre pour vérifier l'alimentation en électricité.
	Le câblage n'est pas bien installé.	Vérifiez et serrez les connexions de fils.
	Le câblage du panneau de commande et de la carte processeur est débranché.	Vérifiez le câblage au complet à partir du panneau de commande jusqu'à la carte processeur.
	Le transformateur du moteur est défectueux	Vérifiez l'entrée de courant et la sortie de courant du transformateur du moteur. Si nécessaire, remplacez le transformateur du moteur.
Les lumières fonctionnent, mais pas le(s) moteur(s).	Le panneau de commande ou la carte processeur est défectueux.	Remplacez le panneau de commande ou la carte processeur.
	Le(s) moteur(s) est (sont) défectueux.	Remplacez le(s) moteur(s).
	Le(s) condensateur(s) est (sont) défectueux.	Remplacez le(s) condensateur(s).
	Le panneau de commande ou la carte processeur est défectueux.	Remplacez le panneau de commande ou la carte processeur.
La hotte de cuisine vibre.	Le système de ventilation n'est pas bien installé.	Serrez la pale turbine/cage d'écureuil et le réservoir d'air.
	La pale turbine/cage écureuil n'est pas bien balancée.	Remplacez la pale turbine/cage d'écureuil.
	La hotte n'est pas assez bien serrée.	Vérifiez l'installation de la hotte, serrez le support de fixation.
Le moteur fonctionne, mais pas les lumières.	L'ampoule de la lampe halogène est défectueuse.	Essayez l'ampoule de lampe défectueuse sur une douille qui fonctionne. Si l'ampoule ne fonctionne toujours pas, remplacez-la.
	Le câblage de la lampe n'est pas assez serré.	Vérifiez le câblage au complet à partir de la carte processeur jusqu'au transformateur puis jusqu'au boîtier.
	Le transformateur de la lumière est défectueux.	Vérifiez l'entrée de courant et la sortie de courant du transformateur de lampe. Si nécessaire, remplacez le transformateur de lampe.
	Le panneau de commande ou la carte processeur est défectueux.	Remplacez le panneau de commande ou la carte processeur.
La hotte de cuisine ne ventile pas correctement.	La hotte de cuisine est installée hors des limites recommandées par le fabricant.	Ajustez le dégagement entre la hotte de cuisine et la table de cuisson pour qu'il soit de 27" à 30". Pour une hotte de cuisinière sur îlot, le dégagement entre la hotte de cuisine et la table de cuisson est de 30" à 36".
	Il n'y a pas d'air d'appoint à l'intérieur de la maison.	Ouvrez la fenêtre pour améliorer la performance de la hotte en créant suffisamment d'air d'appoint.
	Un obstacle bloque la canalisation.	Enlevez tous les obstacles de la canalisation.
	La canalisation est plus petite que la canalisation suggérée.	Changez la canalisation en accord avec les suggestions du fabricant.
De l'air froid entre dans la maison.	La connexion du conduit n'est pas scellée correctement.	Vérifiez l'installation du conduit.
	Le clapet n'est pas bien installé ou manque à l'installation.	Vérifiez l'installation du clapet.
	Le clapet n'est pas installé.	En installant le clapet, vous aiderez à éliminer le retour d'air.

AVIS DE NON-RESPONSABILITÉ

1. **INSPECTER ATTENTIVEMENT TOUS LES ARTICLES POUR DÉCELER TOUT DOMMAGE, S'IL Y A LIEU, AVANT D'ACCEPTER LA LIVRAISON. NOTER TOUT DOMMAGE SUR LA FACTURE DE TRANSPORT OU LE CONNAISSEMENT. EXIGER LE NOM ET LA SIGNATURE DE L'EMPLOYÉ DU TRANSPORTEUR ET CONSERVER UNE COPIE COMME PIÈCE JUSTIFICATIVE DE LA RÉCLAMATION.**
Sur acceptation des articles, le propriétaire assume la responsabilité de l'état dans lequel se trouvent les articles à la livraison. Les dommages doivent être déclarés au transporteur et une réclamation doit être déposée à défaut de quoi le transporteur pourrait refuser d'honorer la réclamation. Le transporteur fournira les formulaires nécessaires pour effectuer une réclamation.
LES DOMMAGES CAUSÉS DURANT LE TRANSPORT NE SONT PAS COUVERTS PAR NOTRE GARANTIE.
2. **PRIÈRE DE BIEN VÉRIFIER LE CONTENU DE L'EMBALLAGE (DES EMBALLAGES) À LA RÉCEPTION !** Vous devez nous aviser par écrit de tout dommage ou de toute pièce manquante à l'intérieur du délai alloué à partir de la réception de la marchandise. Communiquer avec votre représentant ou distributeur local de KOBE ou appeler chez KOBE pour connaître le délai alloué.
LES RÉCLAMATIONS QUI NOUS PARVIENDRONT APRÈS LE DÉLAI ALLOUÉ SERONT REFUSÉES.
NOTE: TOUS LES ARTICLES ONT ÉTÉ MIS À L'ESSAI MINUTIEUSEMENT ET EMBALLÉS AVEC SOIN À NOTRE USINE.
3. Les produits doivent être retournés en bonne condition de fonctionnement avec TOUTES les pièces d'origine et la documentation et dans TOUS les emballages d'origine (boîtes de carton et matériel de remplissage).
LES ÉCHANGES OU LES RETOURS PEUVENT ÊTRE REFUSÉS SI UNE PARTIE DE L'EMBALLAGE EST MANQUANTE.
4. **INSPECTER AVEC SOIN LA HOTTE POUR DÉCELER TOUT DOMMAGE OU DÉFAUT AVANT L'INSTALLATION.** Les défauts dans l'apparence de la hotte décelés après l'installation et n'ayant aucune incidence sur son rendement ne sont pas couverts par notre garantie et ne peuvent constituer une raison valable pour un retour ou un échange. Des frais seront facturés pour les appels de service non couverts par notre garantie.

A) Avant l'installation : retour pour échange ou remboursement (veuillez voir plus haut les raisons valables pour un retour).
B) Après l'installation : **AUCUN** échange ou remboursement.

GARANTIE

CERTIFICAT DE GARANTIE

Tous les produits fabriqués ou fournis par EPC Trading Inc. sont garantis contre tout défaut de fabrication et de matière première. Les obligations du fabricant dans le cadre de la présente garantie sont limitées à une période de un (1) an à partir de la date d'achat et au remplacement, à sa discrétion, conformément aux modalités et conditions énoncées plus bas, de tout composant qu'il jugera défectueux après examen.

PÉRIODE DE GARANTIE DE UN (1) ANS (PIÈCES)

Toute défaillance couverte par la garantie se produisant dans les un (1) an à compter de la date d'achat d'origine et découlant d'une fabrication ou d'une matière première défectueuse sera à notre discrétion, l'appareil pourra être remplacé sans frais par EPC Trading Inc. Conservez votre preuve d'achat (ou facture d'origine) pour inspection.

Si la hotte de cuisinière est vendue par l'acheteur d'origine au cours de la période de garantie, le nouveau propriétaire sera protégé jusqu'à l'expiration de la garantie de l'acheteur d'origine.

CONDITIONS

Les conditions suivantes s'appliquent seulement en relation avec la garantie accordée expressément par le présent certificat.

- 1) La présente garantie est valide uniquement :
 - a) aux États-Unis et au Canada;
 - b) si la hotte de cuisinière est utilisée pour un USAGE FAMILIAL UNIQUE (si la hotte sert à un USAGE COMMERCIAL OU À PLUSIEURS FAMILLES OU À D'AUTRES FINS, la garantie sera nulle et non avenue).
- 2) La réparation de tout défaut couvert par la présente garantie ne sera pas couverte :
 - a) si le numéro d'identification de la hotte a été altéré, rendu illisible ou enlevé;
 - b) si le défaut n'a pas été déclaré au cours de la période de garantie applicable;
 - c) dans le cas de défectuosité des ampoules ou des lampes à rayons infrarouges;
 - d) dans le cas de tout dommage physique;
 - e) pour des surfaces endommagées par l'utilisation de produits nettoyants inappropriés;
 - f) si l'appareil a été:
 - i). soumis à un mauvais usage, un abus, une négligence, un accident, une installation inadéquate ou si les instructions du mode d'emploi n'ont pas été respectées;
 - ii). branché à une alimentation électrique ou à des conduits d'évacuation inappropriés, inadéquats ou défectueux ou opéré avec l'emploi de lubrifiants inadéquats ou contaminés;
 - g) pour tout dommage à la hotte durant le transport, la livraison, l'installation ou l'enlèvement ;
 - h) le bruit ou la vibration causé par une installation inappropriée de la hotte de ventilation et/ou du clapet.
- 3) L'acheteur doit fournir la preuve d'achat de même que le présent certificat de garantie au moment de faire une réclamation.
- 4) Les dommages causés durant l'expédition ne sont pas couverts sous la présente garantie.

DOMMAGES INDIRECTS

EPC Trading Inc. ne sera pas tenue responsable des dommages indirects. CERTAINS ÉTATS ET CERTAINES PROVINCES NE PERMETTENT PAS L'EXCLUSION DES DOMMAGES INDIRECTS. EN CONSÉQUENCE, LA PRÉSENTE EXCLUSION PEUT NE PAS S'APPLIQUER DANS VOTRE CAS.

GARANTIES TACITES / RÉGLEMENTATION

Toutes les garanties tacites, incluant la garantie implicite de qualité marchande et de pertinence dans un but particulier, imposées par la réglementation de l'état ou de la province d'achat, sont limitées à une durée de un (1) an à compter de la date d'achat d'origine. Certains états ou provinces ne permettent pas les limitations ayant trait à la durée d'une garantie tacite. La présente garantie vous donne des droits légaux précis et vous pouvez avoir d'autres droits pouvant varier d'un état à l'autre ou d'une province à l'autre.

SERVICE

Pour obtenir du service :

KOBE Range Hoods
11775 Clark Street
Arcadia, CA 91006
U.S.A.

Tél: (626) 775-8880

Courriel: Customer.Service@KOBERangeHoods.com

Website: www.KOBERangeHoods.com

ENREGISTREMENT DU PRODUIT

Enregistrez votre produit !

Toute défaillance couverte par la garantie se produisant dans les un an à compter de la date d'achat d'origine et découlant d'une fabrication ou d'une matière première défectueuse sera réparée ou, à notre discrétion, l'appareil pourra être remplacé, sans frais, par un agent autorisé de KOBE Range Hoods, Inc. ou par KOBE Range Hoods, Inc. selon le cas. Conservez votre preuve d'achat (ou facture d'origine) pour inspection.

Si la hotte de cuisinière est vendue par l'acheteur d'origine au cours de la période de garantie, le nouveau propriétaire sera protégé jusqu'à l'expiration de la garantie de l'acheteur d'origine. Voir le certificat de garantie pour la couverture complète de la garantie.

Cet appareil a été fabriqué, mis à l'essai et inspecté conformément aux normes exigées par KOBE Range Hoods, Inc.

SVP, POSTER VOTRE FICHE D'ENREGISTREMENT DE PRODUIT AVEC VOTRE PREUVE D'ACHAT À :

KOBE Range Hoods
Warranty Registration
11775 Clark Street
Arcadia, CA 91006
U.S.A.

INSCRIRE LES RENSEIGNEMENTS SUIVANTS POUR NOS DOSSIERS :

N° de modèle _____

N° de série _____

Date d'achat ___ / ___ / ___

Nom et adresse du détaillant :

IMPORTANT: VEUILLEZ AVOIR EN MAIN UNE COPIE DE VOTRE FACTURE LORSQUE VOUS EFFECTUEZ UN APPEL DE SERVICE.

[SPANISH]

- LEA Y CONSERVE ESTAS INSTRUCCIONES -

ÍNDICE

INSTRUCCIONES IMPORTANTES DE SEGURIDAD	44
COMPONENTES DEL PAQUETE.....	46
INSTALACIÓN.....	47
INSTRUCCIONES DE OPERACIÓN	51
MANTENIMIENTO	52
ESPECIFICACIONES	54
MEDIDAS Y DIAGRAMAS	55
LISTADO DE PIEZAS	56
DIAGRAMA DE CIRCUITO	58
GUÍA PARA LA SOLUCIÓN DE PROBLEMAS	59
CLÁUSULA DE EXENCIÓN.....	60
GARANTÍA.....	61
REGISTRO DEL PRODUCTO	63

- LEA CUIDADOSAMENTE TODAS LAS INSTRUCCIONES ANTES DE
COMENZAR -

TODO EL CABLEADO DEBERÁ REALIZARSE POR UN
PROFESIONAL
Y DE ACUERDO CON TODOS LOS CÓDIGOS ELÉCTRICOS
NACIONALES Y LOCALES



INSTRUCCIONES IMPORTANTES DE SEGURIDAD

- POR FAVOR, LEA CUIDADOSAMENTE ESTA SECCIÓN ANTES DE INSTALAR -

⚠️ ADVERTENCIA: PARA REDUCIR EL RIESGO DE INCENDIO, ELECTROCUCIÓN O LESIÓN PERSONAL, TOMA EN CUENTA LO SIGUIENTE:

- 1) La instalación y el cableado eléctrico deberán realizarse por profesionales calificados y de acuerdo con todos los códigos y estándares correspondientes, incluyendo los códigos y normas sobre la construcción para prevenir incendios.
- 2) Al cortar o perforar una pared o techo, tenga cuidado de no dañar el cableado eléctrico u otras instalaciones de servicios ocultas.
- 3) Los ventiladores con conductos deberán tener una ventilación hacia el exterior.
 - a) Antes de darle servicio o limpiar la unidad, abra el panel de la luz y DESCONECTE EL SUMINISTRO ELÉCTRICO EN EL PANEL DE SERVICIO.
 - b) Limpie frecuentemente las superficies saturadas con grasa. Para reducir el riesgo de incendio y para dispersar el aire adecuadamente, asegúrese de ventilar el aire al exterior. NO ventile el aire del escape en espacios cerrados entre paredes, áticos, espacios de acceso debajo de pisos o garajes.

NOTA - Esta garantía no es válida sin un recibo de un agente autorizado o si la unidad se ha dañado debido al maltrato, mala instalación, uso inadecuado, abuso, negligencia o cualquier otra circunstancia que se encuentre fuera del control de los agentes autorizados de KOBE RANGE HOODS. Cualquier reparación que se realice sin la supervisión de los agentes autorizados de KOBE RANGE HOODS anulará la garantía automáticamente.

- KOBE RANGE HOODS no se hará responsable por cualquier daño a la propiedad personal o inmobiliario ni por las lesiones físicas que se hayan causado ya sea directa o indirectamente por la campana de extracción.

⚠️ ADVERTENCIA: PARA REDUCIR EL RIESGO QUE OCURRAN LESIONES PERSONALES EN CASO DE UN INCENDIO CAUSADO POR LA GRASA ACUMULADA EN LAS HORNILLAS DE LA ESTUFA:

- Mantenga limpios todos los ventiladores, deflectores/separadores/filtros/conductos de aceite/recipientes para aceite y las superficies saturadas con grasa. No deberá permitirse que la grasa se acumule en el ventilador, deflector/separador/filtro/conducto de aceite/ recipiente para aceite.
- Siempre ENCIENDA el extractor cuando cocine.
- Utilice las configuraciones altas en la estufa SOLAMENTE cuando sea necesario.
- No deje la estufa sin supervisión mientras esté cocinando.
- Siempre utilice utensilios de cocina adecuados para el tipo y cantidad de alimentos que prepara.
- Utilice esta unidad únicamente de la manera en que fue diseñada por el fabricante.
- Antes de darle servicio, desconecte el suministro eléctrico en el panel de servicio y cierre bajo llave el panel de servicio (de ser posible) para prevenir que la unidad se encienda accidentalmente.
- Limpie el ventilador con frecuencia.

Qué Hacer en Caso de un Incendio Causado por la Grasa Acumulada en las Hornillas de la Estufa


- SOFOQUE LAS LLAMAS con una tapadera, una bandeja para hornear galletas o una bandeja de metal que quede bien ajustada y luego apague la hornilla. MANTENGA TODO EL MATERIAL INFLAMABLE O COMBUSTIBLE LEJOS DE LAS LLAMAS. Si las llamas no se apagan inmediatamente, EVACUE EL ÁREA Y LLAME AL DEPARTAMENTO DE BOMBEROS o al 911.
- NUNCA LEVANTE UN SARTÉN QUE SE ESTÉ QUEMANDO – Usted Podría Quemarse.
- NO UTILICE AGUA, incluyendo paños o toallas mojadas - esto resultará en una explosión violenta de vapor.
- Utilice un extinguidor SOLO si:
 - a) Cuenta con un extinguidor Clase A, B, C y sabe cómo utilizarlo.
 - b) El incendio es pequeño y se ha contenido en el área en donde comenzó.
 - c) Ha llamado al departamento de bomberos.
 - d) Puede combatir el incendio con su espalda dirigida hacia una salida.

Qué Hacer si Siente Olor a Gas

- Apague cualquier llama abierta.
- No intente encender las luces o cualquier otro tipo de aparato.
- Abra todas las puertas y ventanas para dispersar el gas. Si aún así siente olor a gas, llame a la Compañía de Gas y al Departamento de Bomberos inmediatamente.

⚠ PRECAUCIÓN

- 1) Solamente para ventilación general. No utilizar para eliminar materiales y vapores peligrosos o explosivos.
- 2) Para reducir el peligro de incendio, utilice solamente una red de conductos metálicos. Necesita aire suficiente para la combustión y eliminación de gases por medio del conducto de ventilación (chimenea) para prevenir la explosión de flujo de aire en retroceso.
- 3) Siga las directrices y estándares de seguridad del fabricante del equipo de calefacción, tales como aquellos publicados por la Asociación de Protección contra Incendios (National Fire Protection Association – NFPA) y la Sociedad Americana de Ingenieros en Calefacción, Refrigeración y Aire Acondicionado (American Society for Heating, Refrigeration and Air Conditioning Engineers – ASHRAE) y las autoridades normativas.
- 4) Activar cualquier interruptor podría causar una explosión o ignición.
- 5) Debido al tamaño y peso de esta campana de extracción, se recomienda que la instalación sea realizada por dos personas.

	<p>ADVERTENCIA RIESGO DE ELECTROCUCIÓN – Puede resultar en lesiones serias o la muerte. Desconecte el aparato del suministro eléctrico antes de darle servicio. Si estuviera equipado con éste, el foco fluorescente, debido a que contiene pequeñas cantidades de mercurio, deberá reciclarse o desecharse según los Códigos Locales, Estatales y Federales.</p>
---	---

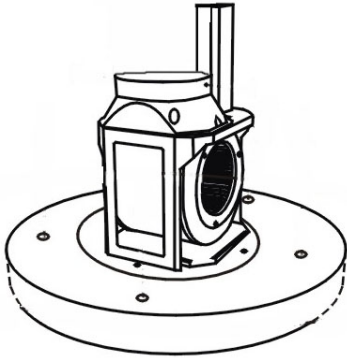
COMPONENTES DEL PAQUETE

(Debe conservar todo el material en caso de devolverlo o solicitar un reembolso)

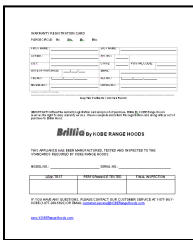
Caja 1 de 3

- {A} Campana de Extracción Brillia
- {B} Tarjeta de Registro para Garantía
- {C} Manual de Instrucciones
- {D} Filtro Inoxidable - 1
- {E} Collar de Acero inoxidable - 1

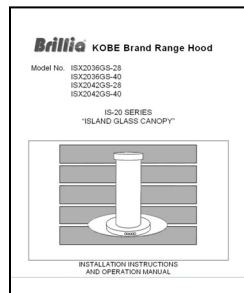
{A}



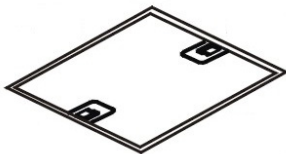
{B}



{C}



{D}

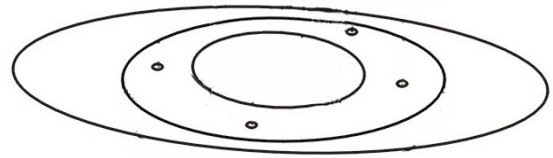


{E}



Caja 2 de 3




- {F} Campana de Vidrio - 1

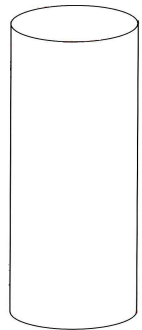


Caja 3 de 3

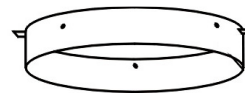
- {G} Paquete de Tornillos - 1
- {H} Cubierta de Conductos de una Pieza - 1
- {I} Soporte de Montaje - 1
- {J} Plantilla de Montaje

- {G} ADHERIDOS A LA CAMPANA {H}

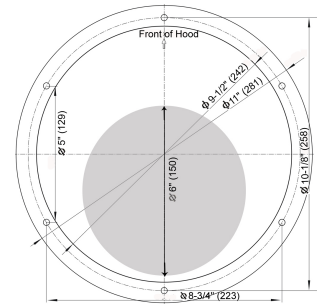
-  M5 x 20 (4piezas) y arandelas (4 juegos)
-  M8 (4piezas) y arandelas (4 piezas)
-  M5 x 10 (5piezas)



{I}



{J}



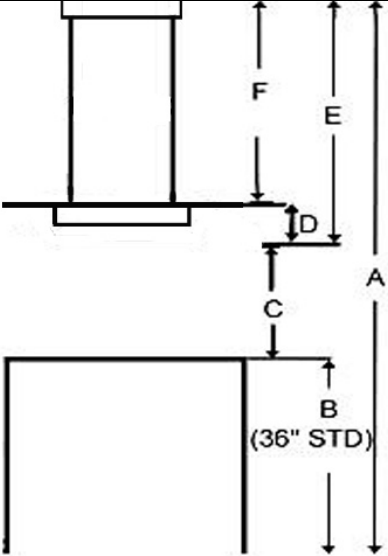
♦ PARA OBTENER MÁS INFORMACIÓN, POR FAVOR CONTACTE A KOBÉ RANGE HOODS AL (626) 775-8880.

INSTALACIÓN

POR FAVOR, LEA LAS INSTRUCCIONES COMPLETAMENTE ANTES DE CONTINUAR

Cálculo antes de la Instalación

Para realizar el cálculo para la instalación, por favor consulte la TABLA 1. (Todos los cálculos están hechos en pulgadas).

TABLA 1 A = Altura del Piso al Techo B = Altura del Piso a la Superficie del Mostrador (Estándar: 36") C = Altura Preferida de la Superficie del Mostrador a Parte Inferior de la Campana (Se recomienda de 30" a 36") D = Altura de la Campana E = Altura de Instalación de la Campana [A – (B+C)] F = Altura de la Cubierta de Conductos [E – D]	
--	---

⚠ ADVERTENCIA DE SEGURIDAD
LA CAMPANA PODRÍA TENER EXTREMOS SUMAMENTE FILOSOS; FAVOR DE UTILIZAR GANTES PROTECTORES SI VA A RETIRAR CUALQUIER PIEZA PARA INSTALAR, LIMPIAR O DARLE SERVICIO.

NOTA: TENGA MUCHO CUIDADO AL UTILIZAR UN DESTORNILLADOR ELÉCTRICO; PODRÍA CAUSAR DAÑOS A LA CAMPANA.

Preparación antes de la Instalación

NOTA: PARA EVITAR CAUSAR DAÑOS A SU CAMPANA, EVITE QUE DESECHOS PENETREN EN LA RENDIJA DE VENTILACIÓN

- Decida la ubicación para colocar el conducto de ventilación de la campana hacia el exterior. (Figura 1)
- Un ducto de escape recto y corto permitirá que la campana trabaje con más eficiencia.
- Intente evitar tantas conexiones, codos y ductos largos como sea posible. Esto podría reducir el rendimiento de la campana.
- Antes de instalar, conecte temporalmente la campana para verificar que funcione adecuadamente.
- **Importante: Retire la película protectora de la campana y cubiertas de conductos, si hubiera alguna.**
- Utilice cinta aislante (duct tape) para sellar las uniones entre las secciones de los conductos.

Planificación Anticipada

1. Marque las líneas centrales de la estufa en el techo. Utilice las líneas centrales marcadas en el techo para colocar la plantilla de montaje según se muestra en la Figura 2 y 3.
2. Remueva y guarde la plantilla. Corte y remueva la tablaroca (drywall) del techo. Instale madera de entramado de 2" x 4" (no proporcionada) entre las vigas del techo.
3. El entramado deberá tener un espacio de 10-1/8" desde la línea de centro frontal y 8-3/4" en los lados para permitir la colocación del tornillo de montaje en el soporte de montaje. Consulte las MEDIDAS Y DIAGRAMAS en la página 55.
4. Arregle la superficie del techo. Asegúrese de marcar la ubicación de las vigas del techo y la madera de entramado.
5. Alinee la plantilla de montaje con las marcas en el techo y colóquela con cinta adhesiva. Corte el ducto de 6-1/4" y un orificio de aproximadamente 1" para acceso del cable. Perfore agujeros para los 6

Figura 1

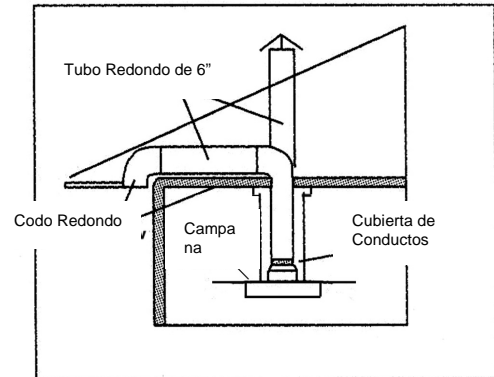


Figura 2

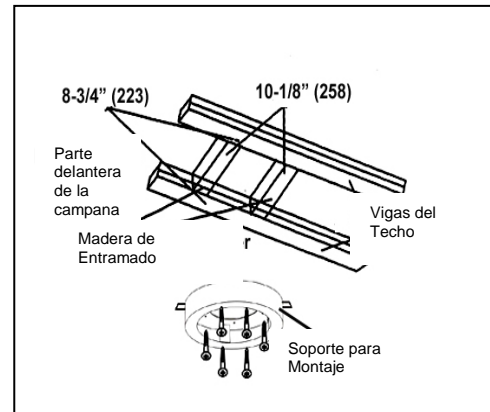
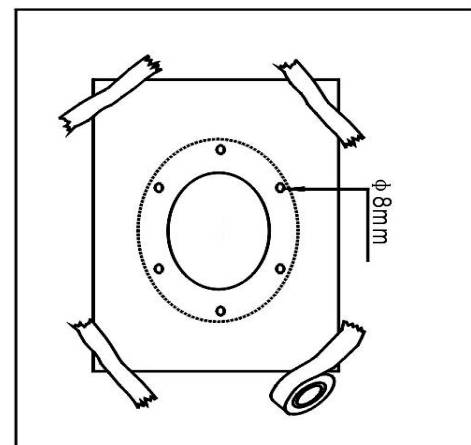


Figura 3



tornillos de montaje, según lo indica la plantilla. (Figura 3)

6. Alinee el soporte de montaje con los agujeros perforados en el techo y fije las vigas y entramado utilizando 6 tornillos (no proporcionados). Asegúrese que los tornillos penetren en el centro de las vigas y entramado para brindar un soporte máximo. (Figura 4)

Cableado Hacia la Fuente de Alimentación



ADVERTENCIA DE SEGURIDAD

RIESGO DE ELECTROCUCIÓN. ESTA CAMPANA DE EXTRACCIÓN DEBERÁ TENER UNA CONEXIÓN A TIERRA ADECUADA. ASEGÚRESE QUE ESTO SE REALICE POR UN ELECTRICISTA CALIFICADO Y DE ACUERDO CON TODOS LOS CÓDIGOS ELÉCTRICOS NACIONALES Y LOCALES CORRESPONDIENTES. ANTES DE CONECTAR LOS CABLES, DESCONECTE EL SUMINISTRO ELÉCTRICO EN EL PANEL DE SERVICIO Y CIERRE BAJO LLAVE EL PANEL PARA PREVENIR QUE LA UNIDAD SE ENCIENDA ACCIDENTALMENTE.

7. Enrute el cableado de la cubierta hacia el techo, tan cerca como sea posible de la ubicación en donde se instalará. Asegúrese de dejar suficiente cable adicional para que baje del techo hacia la caja eléctrica.
8. Conecte los cables eléctricos según su color (negro con negro, blanco con blanco y verde con verde) y tape con conectores de cables. Los cables verdes deberán tener conexión a tierra para reducir el riesgo de electrocución.

Instalación de la Red de Conductos

9. Utilice un tubo redondo de acero o aluminio de 6" (no proporcionado) para conectar el regulador circular de 6" en la campana a la red de conductos arriba. NOTA: Coloque el tubo redondo de 6" sobre el regulador. Selle utilizando la cinta aislante (duct tape) para que todas las uniones queden fijas y seguras. NOTA: ASEGÚRESE QUE LAS ALETAS EN EL REGULADOR PUEDAN ABRIRSE Y CERRARSE SIN PROBLEMAS. (Figura 5)

Figura 4

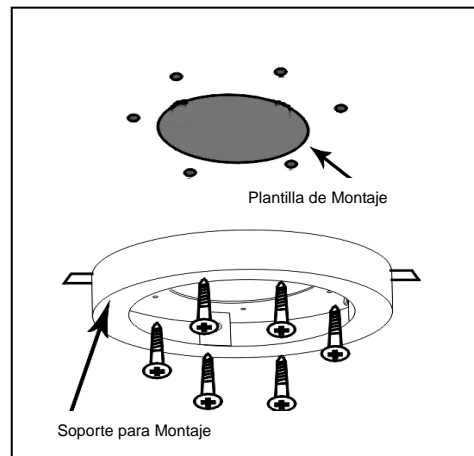


Figura 5

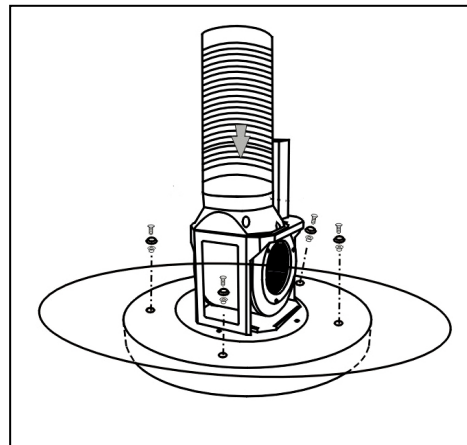
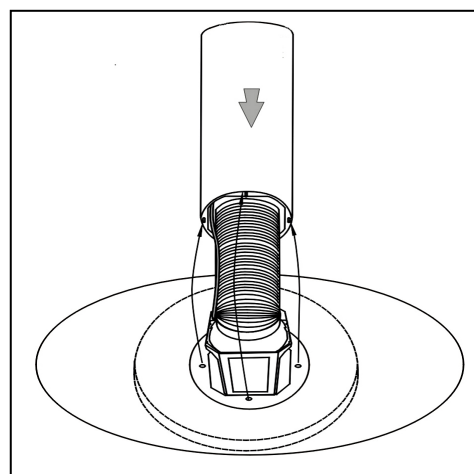


Figura 6



Instalación de la Cubierta de Conductos

10. Deslice la campana de vidrio en el sistema del ventilador. Fije el vidrio en la parte superior de la campana de extracción utilizando 4 tornillos (M5 x 20) y 4 arandelas (proporcionados) (Figura 5)
11. Deslice la cubierta de conductos en la unidad del ventilador, fijela por debajo de la unidad del ventilador utilizando 4 tuercas (M8) y 4 arandelas (proporcionadas) Consulte la Figura 6 y 7.
12. Deslice cuidadosamente el collar de acero inoxidable a través de la cubierta de conductos hacia la parte superior del vidrio. Consulte la Figura 8.
13. Con ayuda, alinee la cubierta de conductos con el soporte de montaje y fijela con 5 tornillos (M5 X 10) (proporcionados). Consulte la Figura 9. **Importante: Asegúrese que la orientación de la campana sea la correcta antes de fijarla.**
14. Deslice el collar de acero inoxidable hacia la parte superior de la cubierta de conductos. Consulte la Figura 10.
15. Bloquee el collar de acero inoxidable hacia la derecha o izquierda para fijarlo.
16. Retire la película protectora del collar de acero inoxidable.
17. Coloque el filtro de acero inoxidable en su lugar.

Ensamblaje Final

18. ENCIÉNDALO y verifique el funcionamiento de todas las luces y el ventilador.
19. Asegúrese de dejar este manual con el propietario de la vivienda.

Figura 7

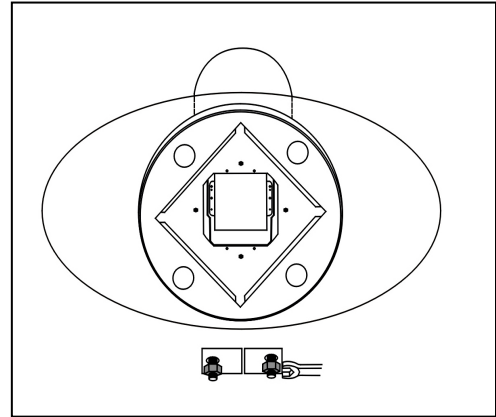


Figura 8

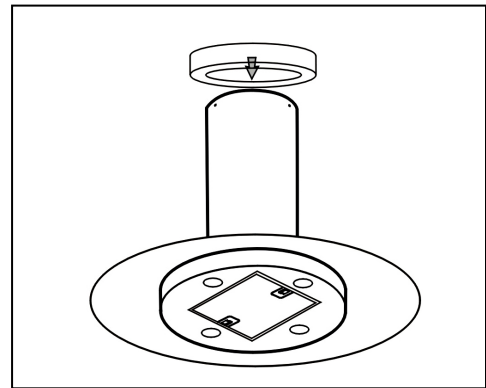


Figura 9

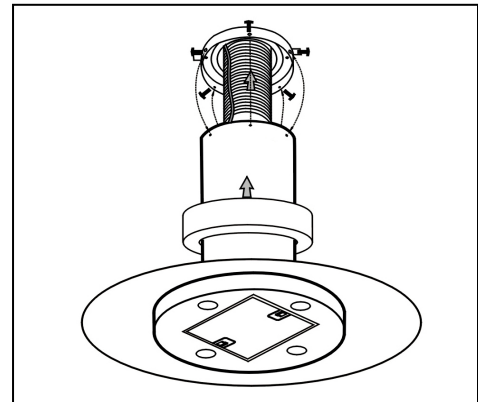
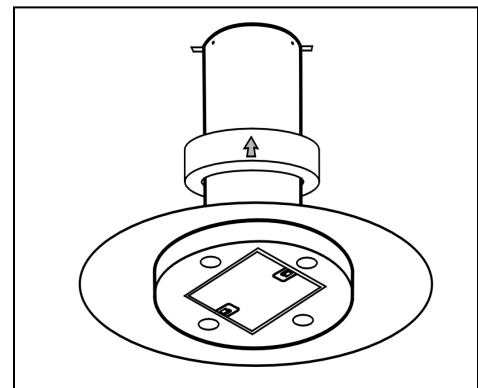


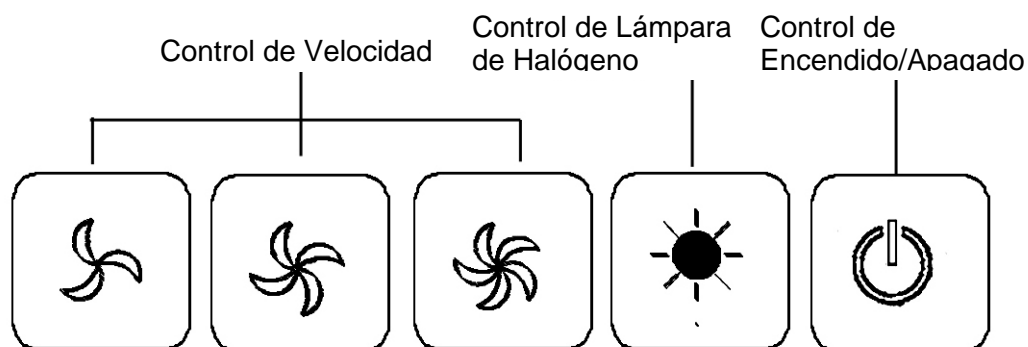
Figura 10



INSTRUCCIONES DE OPERACIÓN

Esta campana de extracción Brilla está equipada con cinco botones táctiles, jaulas de ardilla horizontales dobles con filtro de acero inoxidable y cuatro focos brillantes de halógeno de 12-voltios/20vatios.

Los cinco botones táctiles son: Control Encendido/Apagado, Control de Velocidad (Bajo, Medio y Alto) y Control de Luz.



Nota: Para obtener mejores resultados, coloque el extractor en la velocidad baja antes de preparar alimentos o cocinar. Ajuste la velocidad según sea necesario.

Control Encendido/Apagado

Oprima el Control Encendido/Apagado para encender o apagar el extractor.

Esta unidad está equipada con una función de desactivación luego de 1 minuto de retraso. Para activar esta función, oprima el Control de Encendido/Apagado una vez, las luces del panel titilarán y la unidad se apagará completamente después de 1 minuto.

Oprima el Control Encendido/Apagado dos veces, y el ventilador se apagará inmediatamente.

Control de Velocidad

Oprima el Control de Velocidad para activar la Velocidad Baja, Media o Alta.

Control de Luz

(El control de la luz es separado del control de Encendido/Apagado. Apagar la unidad no apagará las luces.)

Oprima el Control de Luz para encender o apagar las luces.

MANTENIMIENTO

ADVERTENCIA DE SEGURIDAD

NUNCA COLOQUE SUS MANOS DENTRO DE LA CAJA DEL VENTILADOR MIENTRAS ESTE SE ENCUENTRE FUNCIONADO.

Limpieza de la Superficie de la Campana

 PRECAUCIÓN: NUNCA UTILICE LIMPIADORES, ALMOHADILLAS O PAÑOS ABRASIVOS. NO UTILICE TOALLAS DE PAPEL SOBRE EL ACERO INOXIDABLE.

Para un funcionamiento óptimo, limpie la campana de extracción y todos los deflectores/separadores/filtros/conductos de aceite/recipientes para aceite con regularidad.

***El cuidado regular ayudará a preservar la apariencia de la campana.

1. Utilice solamente jabón o soluciones detergentes suaves. Seque las superficies utilizando un paño suave.
2. Si la campana se ve manchada (campana de acero inoxidable), utilice un limpiador para acero inoxidable para limpiar la superficie de la campana. Evite que la solución de limpieza caiga sobre o en el panel de control. Siga las instrucciones del limpiador de acero inoxidable. **Precaución: No lo deje por mucho tiempo pues podría dañar el acabado de la campana.** Utilice una toalla suave para limpiar la solución de limpieza y frote cuidadosamente cualquier área difícil de limpiar. Utilice una toalla suave y seca para secar la campana.
3. NO permita que depósitos se acumulen o permanezcan sobre la campana.
4. NO utilice lana de acero o cepillos de acero ordinarios. Pequeños pedazos de acero podrían adherirse a la superficie y causar óxido.
5. NO permita que soluciones de sal, desinfectantes, blanqueadores o compuestos de limpieza permanezcan en contacto con el acero inoxidable por periodos de tiempo prolongados. Muchos de estos compuestos contienen químicos, que podrían ser perjudiciales. Enjuague con agua después del contacto y seque con un paño limpio libre de pelusas.

Para limpiar el Deflector, Separador, Filtro, Conductos de Aceite y Recipiente para Aceite

 PRECAUCIÓN: ESCURRA EL ACEITE DE LOS DEFLECTORES, SEPARADOR(ES), FILTROS, CONDUCTO(S) DE ACEITE Y RECIPIENTE PARA ACEITE ANTES QUE EL ACEITE Y RESIDUOS PUEDAN DESBORDARSE.

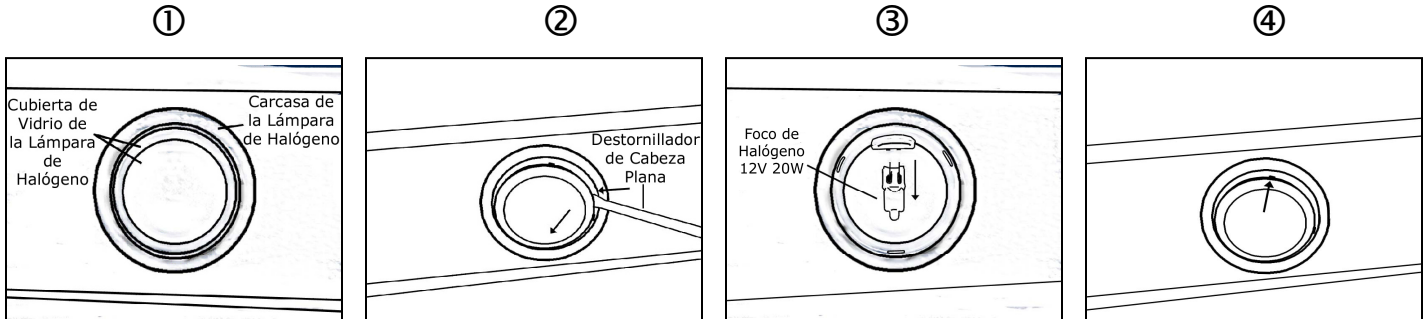
Limpieza de los Filtros Deflectores

1. Remueva todos los deflectores, espaciador(es) y conducto(s) de aceite. Siga las instrucciones que se encuentran en la página 7, en reversa.
2. Deseche el aceite y residuos.

Para Reemplazar los Focos de la Lámpara de Halógeno

**PRECAUCIÓN: ¡LA UNIDAD DE LA LÁMPARA DE HALÓGENO PODRÍA ESTAR CALIENTE!
ESPERE HASTA QUE SE ENFRÍE**

NOTA: NO TOQUE LA LÁMPARA DE HALÓGENO CON LAS MANOS DESPROTEGIDAS, PUES PODRÍA CAUSAR SOBRECALENTAMIENTO Y REDUCIR EL TIEMPO DE VIDA DE LOS FOCOS.



1. Asegúrese que todos los controles se encuentren APAGADOS y que la campana de extracción se encuentre desconectada.
2. Coloque el destornillador de cabeza plana en la ranura localizada entre la cubierta de vidrio de la lámpara de halógeno y la carcasa ①.
3. Retire cuidadosamente la cubierta de vidrio de la carcasa ②.
4. Hale suavemente el foco insertable ③ y deséchelo. Los focos deberán ser de 12V 20W como máximo.
5. Utilice un guante o un paño para sujetar el nuevo foco y empújelo para colocarlo en el receptáculo para focos. NOTA: NO LO EMPUJE DEMASIADO FUERTE PUES PODRÍA QUEBRAR EL CONECTOR PARA FOCO.
6. Coloque nuevamente la cubierta de vidrio de la lámpara de halógeno ④.
7. Enchufe nuevamente el cable de corriente y encienda la campana de extracción para verificar su funcionamiento.

ESPECIFICACIONES

MODELO / TAMAÑO	ISX2036GS-28 / 36" para 8' techo ISX2036GS-40 / 36" para 9' techo ISX2042GS-28 / 42" para 8' techo ISX2042GS-40 / 42" para 9' techo
CAJA 1 DE 3	Unidad de Ventilador
CAJA 2 DE 3	Campana de Vidrio
CAJA 3 DE 3	Altura. Cubierta de Conductos
COLOR	Acero Inoxidable de Clasificación Comercial
CONSUMO / AMPERAJE	270W / 3.0A
VOLTAJE	120V 60Hz
TIPO DE VENTILADOR	Jaula de Ardilla Horizontal Única
DISEÑO	Acabado Satinado / Liso Calibre 20
EXTRACTOR	Regulador Circular Superior de 6"
CONTROLES	5 Botones Táctiles (Función de Desactivación con 1 Minuto de Retraso)
FOCOS DE HALÓGENO	12V 20W x 4
DIMENSIONES DE LA CAMPANA (ANCHO X PROFUNDIDAD X ALTO)	18-7/8" x 18-7/8" x 2-1/2"
DIMENSIONES DE LA CAMPANA (Con Cubierta de Conductos y Vidrio)	35-3/4" x 27" x (30" or 42")*
(ANCHO X PROFUNDIDAD X ALTO)	41-3/4" x 27" x (30" or 42")*

PESO (lbs)		<u>Neto</u>	<u>Bruto</u>
	36" Campana de Vidrio	18.7	31.0
	42" Campana de Vidrio	22.0	35.0
	Cubierta de Conductos para 8' techo	9.9	18.0
	Cubierta de Conductos para 9' techo	13.2	20.0
	Unidad de Ventilador	13.2	29.0

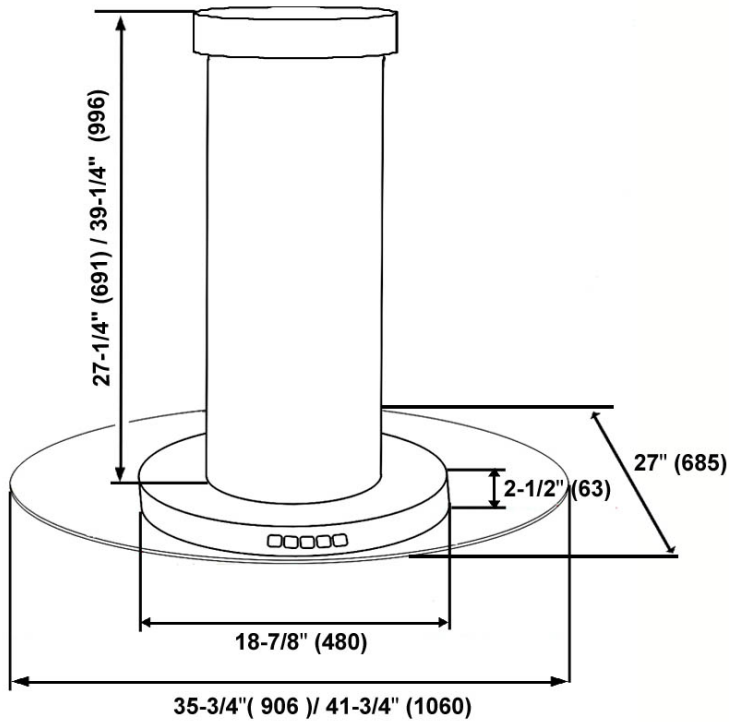
VELOCIDAD	Baja	Mediana	Alta
Capacidad de Aire (cfm)**	190	260	400
Sonio (dB)	1.4 (45dB)	2.8 (55dB)	5.4 (64dB)

*La dimensión de altura de la campana depende de la elección de la cubierta de conductos requerida. Las especificaciones están sujetas a cambio sin previo aviso.

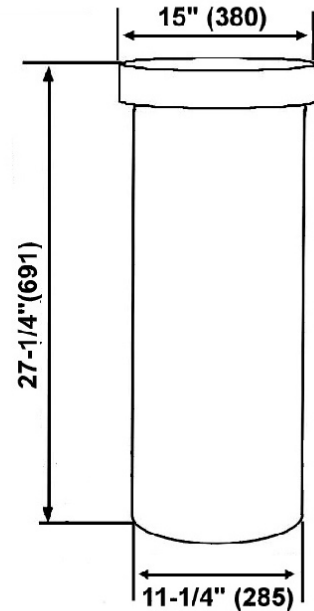
**Presión Estática de Prueba Realizada Internamente "0"

MEDIDAS Y DIAGRAMAS

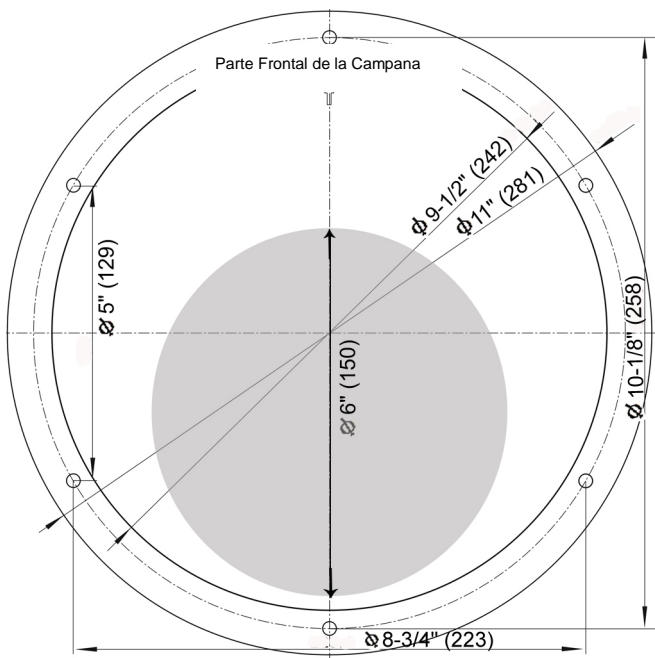
- ◆ Todas las medidas () están en milímetros.
- ◆ Todas las medidas en pulgadas han sido convertidas de milímetros. Las medidas en pulgadas son medidas aproximadas.



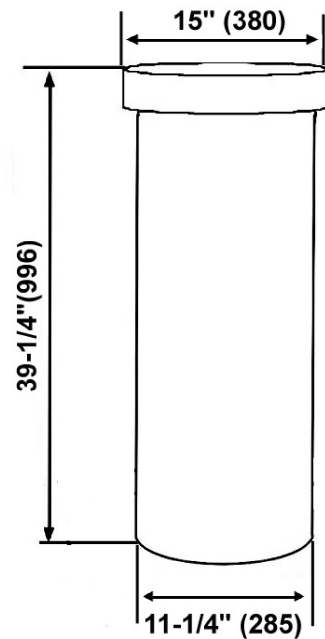
Cubierta de Conductos para 8' Techno



*** Plantilla de Montaje



Cubierta de Conductos para 9' Techno



LISTADO DE PIEZAS

MODELO NO.: ISX2036GS-28
 ISX2036GS-40
 ISX2042GS-28
 ISX2042GS-40

Caja 1 de 3

NO.	DESCRIPCIÓN	MODELO	PIEZA NO.
01	Caja de Cableado Eléctrico		ISL120-1
02	Transformador de Luz		ISL120-2
03	Condensador		ISL120-3
04	Placa de Procesador		ISL120-4
05	Panel de Soporte Eléctrico		ISL120-5
06	Cubierta de Caja de Cableado Eléctrico		ISL120-6
07	Regulador Circular de 6"		ISL120-7
08	Soporte de Cámara de Aire		ISL120-8
09	Collar de Acero Inoxidable		ISL120-10
10	Motor		BRISL120-12
11	Cubierta del Motor		ISL120-13
12	Cámara de Aire		ISL120-14
13	Jaula de Ardilla		ISL120-15
14	Tuerca		ISL120-16
15	Cubierta del Ventilador con Pantalla Protectora		ISL120-17
16	Cuerpo Redondo		ISL120-19
17	Filtro de Acero Inoxidable		ISL120-20
18	Lámpara de Halógeno		ISL120-21
19	Unidad de Control		ISL120-22
20	Cubierta de la Unidad de Control		ISL120-23

Caja 2 de 3

NO.	DESCRIPCIÓN	MODELO	PIEZA NO.
21	Campana de Vidrio	ISX2036GS-28	ISL120-18
		ISX2036GS-40	
		ISX2042GS-28	ISL120-18-1
		ISX2042GS-40	

(Caja 3 de 3)

NO.	DESCRIPCIÓN	MODELO	PIEZA NO.
22	Cubierta de Conductos	ISX2036GS-28	ISL120-11
		ISX2042GS-28	
		ISX2036GS-40	ISL120-11-1
		ISX2042GS-40	
23	Soporte de Montaje		ISL120-9

MODELO NO.: ISX2036GS-28
ISX2036GS-40
ISX2042GS-28
ISX2042GS-40

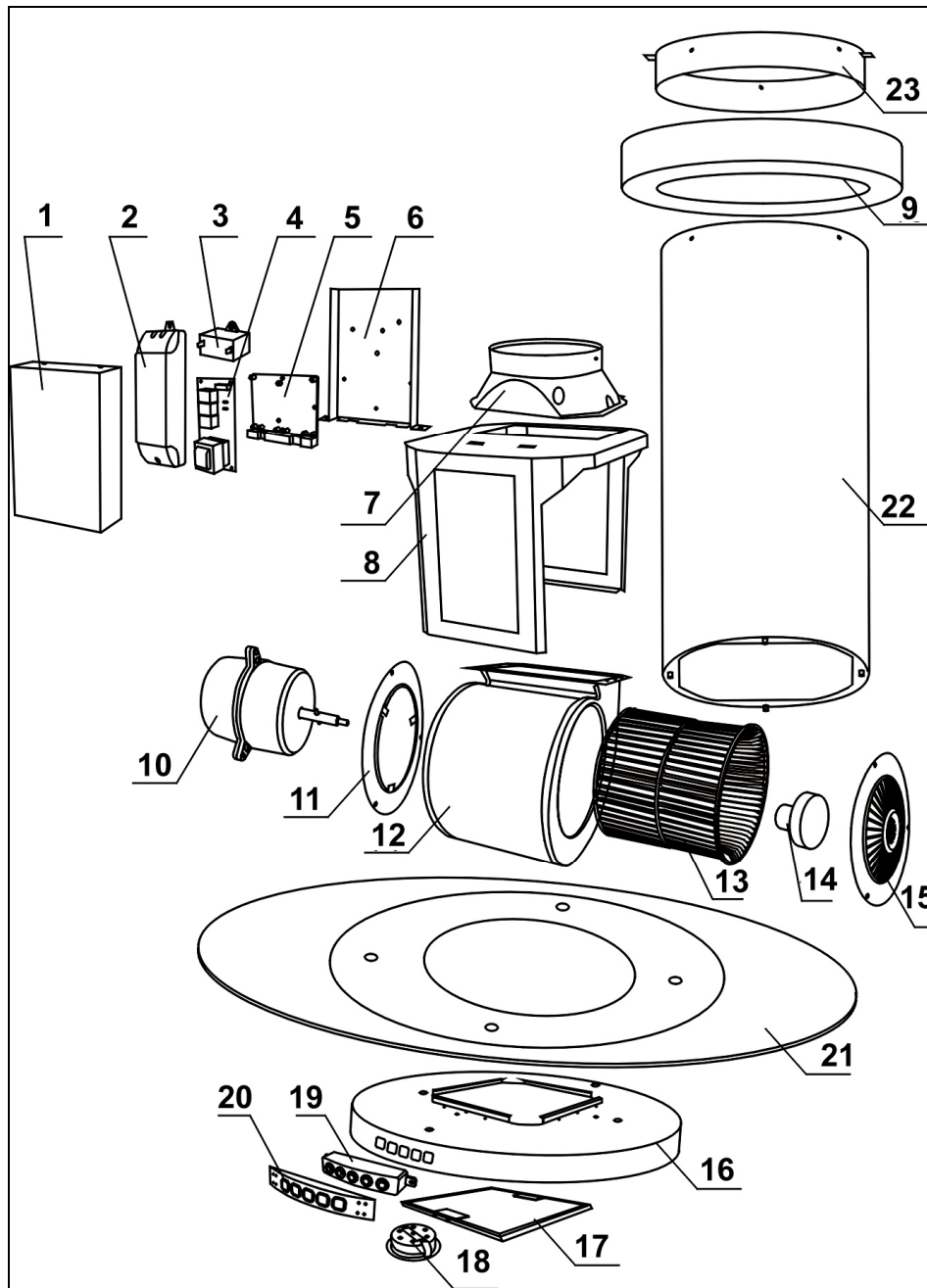
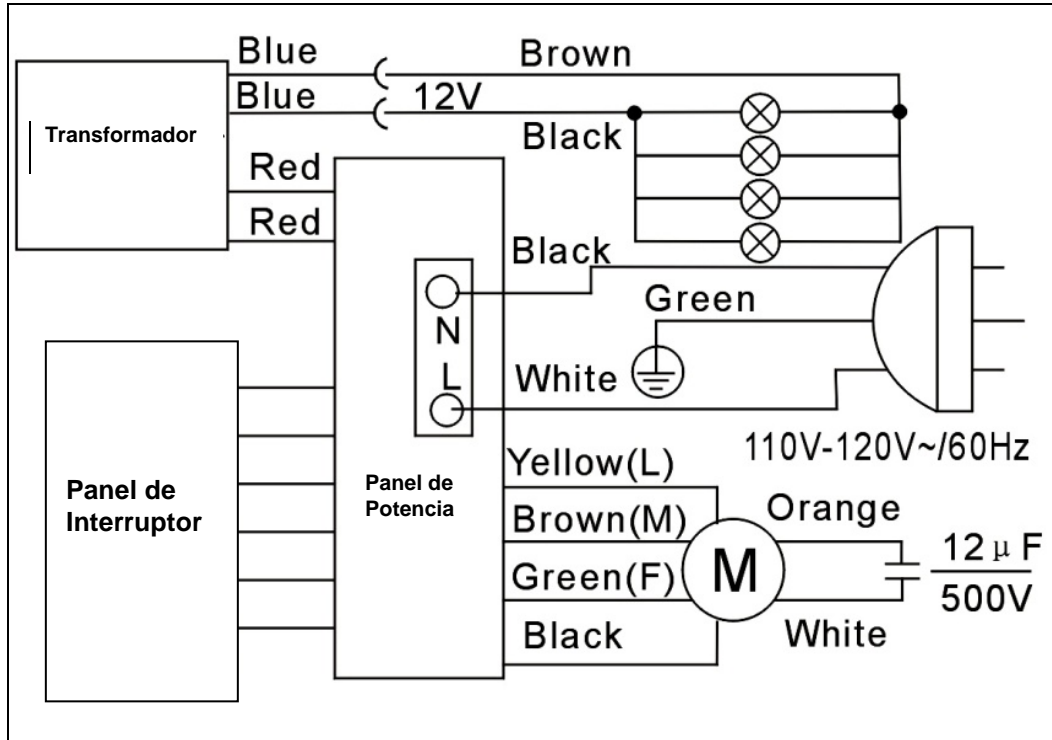


DIAGRAMA DE CIRCUITO

MODELO NO.: ISX2036GS-28
ISX2036GS-40
ISX2042GS-28
ISX2042GS-40



Blue = Azul
Brown = Café
Red = Rojo
Black = Negro
Green = Verde
Yellow = Amarillo
Orange = Naranja
White = Blanco

Guía para la Solución de Problemas

Problema	Posible Causa	Solución
Después de la Instalación, ninguno de los motores ni las luces están funcionando.	No está encendido.	Asegúrese que el interruptor de circuitos y la unidad se encuentren encendidos. Utilice un medidor de voltaje para verificar la energía de entrada.
	La conexión de cables no está bien sujeta.	Verifique y ajuste la conexión de cables.
	El cableado del panel de control y la placa de procesador está desconectado.	Verifique la continuidad del cable desde el panel de control hasta la placa de procesador.
	El transformador del motor está defectuoso.	Verifique la entrada y salida de la corriente el transformador del motor. De ser necesario, reemplace el transformador del motor.
	El panel de control y la placa de procesador están defectuosos.	Reemplace el panel de control o la placa de procesador.
Las luces están funcionando pero el(los) motor(es) no.	El/los motor(es) está(n) defectuoso(s).	Reemplace el motor.
	El/los condensador(es) está(n) defectuoso(s).	Reemplace el(los) condensador(es).
	El panel de control o la placa de procesador están defectuosos.	Reemplace el panel de control o la placa de procesador.
La campana de extracción está vibrando.	El sistema de ventilador no está bien sujeto.	Tighten the turbine impeller/squirrel cage and air chamber.
	El impulsor de turbina/jaula de ardilla no está balanceado.	Ajuste el impulsor de turbina/jaula de ardilla y la cámara de aire.
	La campana no está bien sujeta en su lugar	Verifique la instalación de la campana, ajuste el soporte de montaje.
El motor está funcionando pero las luces no.	El(los) foco(s) de la Lámpara de Halógeno está(n) defectuoso(s).	Intente colocar el foco que le está dando problemas en otro receptáculo que funcione, si aún así éste no funciona, reemplace el foco de halógeno.
	El cableado de la luz está flojo.	Verifique la continuidad del cable desde la placa de procesador al transformador de la luz hasta la caja de la lámpara de halógeno.
	El transformador de la luz está defectuoso.	Verifique la entrada y salida de la corriente en el transformador de la luz. De ser necesario, reemplace el transformador de la luz.
	El panel de control o la placa de procesador están defectuosos.	Reemplace el panel de control o la placa de procesador.
La campana de extracción no está ventilando correctamente.	La campana de extracción no se encuentra instalada en el espacio recomendando por el fabricante.	Ajuste el espacio entre la campana y la parte superior de la estufa a 27" a 30". Para la campana de cocina de isla, el espacio entre la campana y la parte superior de la estufa deberá ser de 30" a 36"
	No hay aire de reposición en la casa.	Abra la ventana para optimizar el rendimiento de la campana de extracción creando suficiente aire de reposición.
	Una obstrucción bloquea la red de conductos.	Remueva todas las obstrucciones de la red de conductos.
	El tamaño del tubo es más pequeño que el tubo recomendado.	Cambie los tubos de acuerdo con la recomendación del fabricante.
Aire frío entra en la casa	La conexión de los conductos no está sellada correctamente.	Verifique la instalación de los tubos
	El regulador no está instalado adecuadamente o no ha sido instalado.	Verifique la instalación del regulador.
	El regulador no está instalado.	Instalar el regulador le ayudará a eliminar el reflujó de aire.

CLÁUSULA DE EXENCIÓN

1. **INSPECCIONE CUIDADOSAMENTE TODOS LOS ARTÍCULOS VERIFICANDO QUE NO EXISTAN DAÑOS ANTES DE ACEPTAR LA ENTREGA. ANOTE CUALQUIER DAÑO EN LA FACTURA DE TRANSPORTE O EN EL RECIBO. PIDA EL NOMBRE Y FIRMA DEL AGENTE DE TRANSPORTE Y CONSERVE UNA COPIA PARA RESPALDAR SU RECLAMO.**

Al momento de aceptar los artículos, el propietario asume la responsabilidad de que lleguen de manera segura. Reporte los daños al transportista y presente un reclamo inmediatamente. El no hacerlo podría resultar en un rechazo de su reclamo. El transportista le entregará los formularios necesarios para presentar un reclamo.

LOS DAÑOS CAUSADOS DURANTE EL TRANSPORTE NO SE ENCUENTRAN CUBIERTOS BAJO NUESTRA GARANTÍA.

2. **POR FAVOR, ¡INSPECCIONE LOS CONTENIDOS DEL PAQUETE(S) CUIDADOSAMENTE AL RECIBIRLOS!**

Se nos deberá notificar por escrito sobre cualquier daño y/o piezas faltantes dentro del periodo de días establecidos luego de haber recibido su paquete(s).

LOS RECLAMOS NO SERÁN ACEPTADOS DESPUÉS DEL PERIODO DE DÍAS ESTABLECIDOS.

NOTA: LOS ARTÍCULOS FUERON SOMETIDOS A PRUEBAS Y EMPACADOS CUIDADOSAMENTE EN NUESTRA FABRICA ANTES DE SU ENVÍO.

3. Los productos deberán ser devueltos en buen funcionamiento con TODAS las piezas y documentación originales empacados en TODAS los cartones, rellenos y cajas de envío originales.

LOS CAMBIOS O DEVOLUCIONES PODRÍAN NO ACEPTARSE SI FALTARA ALGÚN MATERIAL DE EMPAQUE.

4. **ASEGÚRESE DE INSPECCIONAR LA CAMPANA VERIFICANDO QUE NO EXISTAN DAÑOS O DEFECTOS ANTES DE INSTALARLA.**

Las imperfecciones en la apariencia de la campana que se encuentren después de que ésta haya sido instalada y que no afecten el rendimiento de la misma, no se encuentran cubiertas bajo nuestra garantía sobre devoluciones o cambios. Las visitas de servicio que no se encuentran cubiertas bajo la garantía incurrirán un cargo por servicio.

A) Antes de la Instalación: Envíe de vuelta para cambio o reembolso (por favor consultar lo anterior para averiguar sobre las devoluciones aceptadas).

B) Después de la Instalación: **NO** habrá ningún cambio ni reembolso.

GARANTÍA

CERTIFICADO DE GARANTÍA

EPC Trading Inc. garantiza que todos los productos fabricados o proporcionados por la compañía se encontrarán libres de defectos en cuanto a mano de obra y materiales. Sus obligaciones según esta garantía se encuentran limitadas a un periodo de uno año a partir de la fecha de compra y a reparar o reemplazar a su elección y sujeto a los términos y condiciones establecidas a continuación, cualquier pieza, que luego de ser examinada demuestre que estaba defectuosa.

PERIODO DE SERVICIO DE LA GARANTÍA DE UNO AÑO (PIEZA)

Cualquier avería cubierta que ocurra dentro de un periodo de uno año a partir de la fecha de compra original que surja a causa de mano de obra o material defectuoso de fábrica será reemplazada a nuestra discreción sin costo alguno por EPC Trading Inc. Tenga a la mano un comprobante de compra (o la factura original) para su verificación.

Si la campana de extracción ha sido vendida por el comprador original durante el periodo de garantía, el nuevo propietario estará protegido hasta que la garantía del comprador original se venza.

CONDICIONES

Las siguientes condiciones aplican solamente en relación a la garantía otorgada explícitamente por este certificado.

- 1) Esta garantía aplica solamente:
 - a) dentro de EE.UU. y Canadá.
 - b) a las campanas de extracción de USO UNIFAMILIAR PRIVADO (si han sido utilizadas COMERCIALMENTE o USO MULTIFAMILIAR u otros propósitos, la garantía se anulará).
- 2) La reparación de cualquier avería a proporcionarse bajo esta garantía no se proporcionará:
 - a) si el número de identificación colocado en la campana de extracción ha sido alterado, se considera ilegible o ha sido removido;
 - b) si no se ha presentado una notificación del defecto dentro del periodo de tiempo correspondiente;
 - c) fallo de los focos de la luz o lámparas de calor;
 - d) por daños físicos;
 - e) por superficies dañadas por la utilización de agentes de limpieza químicos no adecuados;
 - f) si el aparato ha:
 - i) estado sujeto a uso inadecuado, abuso, negligencia, accidentes, instalación incorrecta o el no seguir las instrucciones de operación;
 - ii) sido conectado a fuentes eléctricas, conductos de extracción, tubos o cubierta de conductos inadecuados, incorrectos o defectuosos, u operado utilizando lubricantes contaminados o incorrectos;
 - g) por daños causados a la campana de extracción durante su transporte, entrega, instalación o al quitarla;
 - h) ruido o vibración causada por una instalación incorrecta de la campana de extracción y/o el regulador.
- 3) El comprador deberá proporcionar un comprobante de compra junto con este certificado de garantía al presentar un reclamo.
- 4) Los daños causados durante el envío no se encuentran cubiertos bajo nuestra garantía.

DAÑOS EMERGENTES

El garante no se hace responsable por ningún daño emergente. ALGUNOS ESTADOS NO PERMITEN LA EXCLUSIÓN DE DAÑOS EMERGENTES ASÍ QUE LA EXCLUSIÓN ANTERIOR PODRÍA NO CORRESPONDERLE.

GARANTÍAS IMPLÍCITAS/LEY ESTATAL

Cualquier garantía implícita, incluyendo la garantía implícita de comerciabilidad y adecuación al objetivo, impuestas al momento de la venta por las leyes del estado de venta se encuentran limitadas a dos años a partir de la fecha original de compra. Algunos estados no permiten límites en cuanto a la duración de las garantías implícitas. Esta garantía le otorga derechos legales específicos y podría también incluir derechos, que varían de estado en estado.

SERVICIO

Para servicio contacte a:

KOBE Range Hoods
11775 Clark Street
Arcadia, CA 91006
U.S.A.

Tel: (626) 775-8880

Correo electrónico: Customer.Service@KOBERangeHoods.com

Website: www.KOBERangeHoods.com

REGISTRO DEL PRODUCTO

¡Registre su Producto!

Cualquier avería cubierta que ocurra dentro de un periodo de dos años a partir de la fecha de compra original que surja a causa de mano de obra o material defectuoso de fábrica será reparada, o a nuestra discreción, la unidad será reemplazada sin costo alguno por parte de un Agente autorizado de KOBE Range Hoods o KOBE Range Hoods según corresponda. Tenga a la mano un comprobante de compra (factura original) para su verificación.

Si la campana de extracción ha sido vendida por el comprador original durante el periodo de garantía, el nuevo propietario estará protegido hasta que la garantía del comprador original se venza. Consulte la sección de la garantía para obtener la información completa sobre la cobertura de la garantía.

Este aparato ha sido fabricado, sometido a pruebas e inspeccionado según los estándares requeridos por KOBE Range Hoods.

POR FAVOR, ENVÍE POR CORREO SU TARJETA DE REGISTRO DE GARANTÍA Y EL COMPROBANTE DE COMPRA A:

KOBE Range Hoods
Warranty Registration
11775 Clark Street
Arcadia, CA 91006
U.S.A.

ESCRIBA LA SIGUIENTE INFORMACIÓN PARA SUS ARCHIVOS:

Modelo No. _____

No. de Serie _____

Fecha de Compra ____ / ____ / ____

Comprado En:

IMPORTANTE: POR FAVOR, TENGA A LA MANO UNA COPIA DE SU RECIBO DE VENTA O FACTURA AL SOLICITAR SERVICIO.

KOBE®

KOBE Range Hoods
11775 Clark Street
Arcadia, CA 91006 USA

<http://www.KOBERangeHoods.com>

This KOBE hood is made for use in the USA and CANADA only. We do not recommend using this hood overseas as the power supply may not be compatible and may violate the electrical code of that country. **Using a KOBE hood overseas is at your own risk and will void your warranty.**

Cette hotte KOBE est fabriquée pour usage aux États-Unis et au Canada seulement. Il n'est pas recommandé d'utiliser cette hotte à l'étranger puisque l'alimentation électrique pourrait ne pas être compatible et enfreindre le code de l'électricité de ce pays. **L'usage de la hotte KOBE à l'étranger est à votre propre risque et la garantie sera annulée.**

Esta campana de extracción KOBE ha sido fabricada para ser utilizada únicamente en EE.UU. y CANADÁ. No recomendamos la utilización de esta campana en el extranjero debido a que la fuente de energía podría no ser compatible y podría violar el código eléctrico de dicho país. **Utilizar una campana KOBE en el extranjero será a su propio riesgo y anulará la garantía.**

Subject to change without notice.

VER.120507