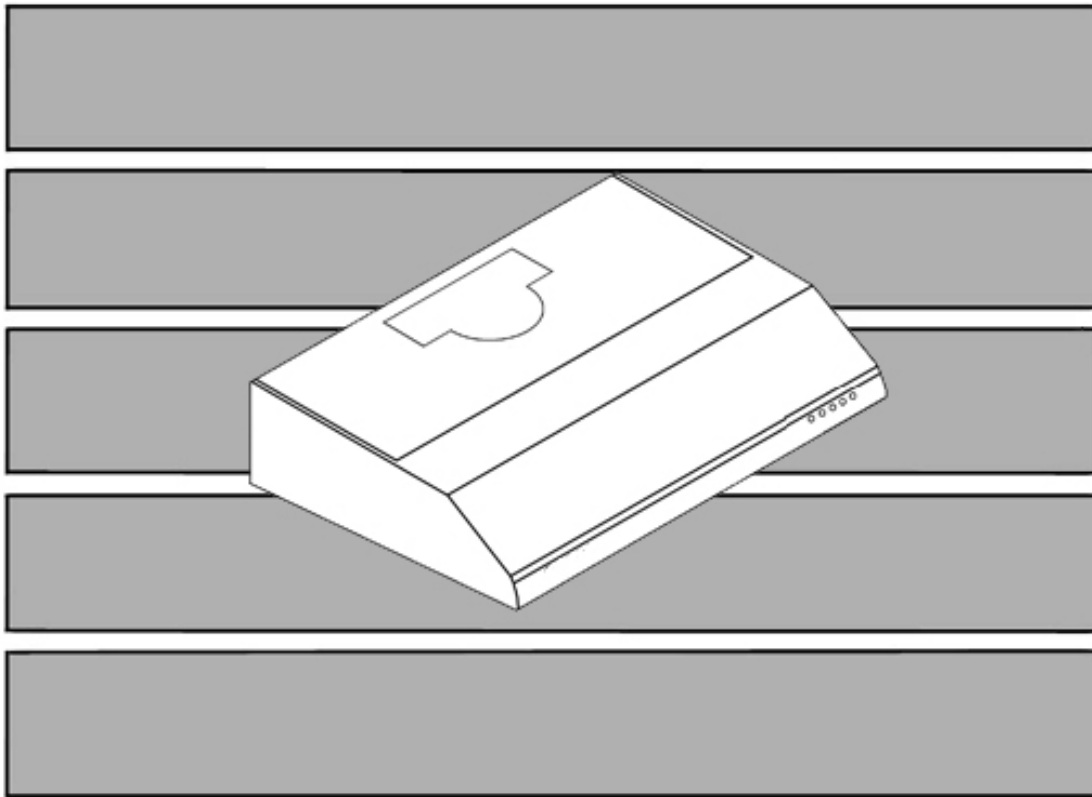


# KOBE® KOBE Brand Range Hood

Model No.

CHX20



INSTALLATION INSTRUCTIONS  
AND OPERATION MANUAL

# [ENGLISH]

- READ AND SAVE THESE INSTRUCTIONS -

## CONTENTS

|                                    |    |
|------------------------------------|----|
| IMPORTANT SAFETY INSTRUCTIONS..... | 1  |
| COMPONENTS OF PACKAGE.....         | 3  |
| INSTALLATION.....                  | 4  |
| OPERATING INSTRUCTIONS.....        | 8  |
| MAINTENANCE.....                   | 9  |
| SPECIFICATIONS.....                | 10 |
| MEASUREMENTS & DIAGRAMS.....       | 11 |
| PARTS LIST.....                    | 12 |
| TROUBLE SHOOTING.....              | 15 |
| DISCLAIMER.....                    | 16 |
| WARRANTY.....                      | 17 |
| PRODUCT REGISTRATION.....          | 19 |

- READ ALL INSTRUCTIONS CAREFULLY BEFORE STARTING -

ALL WIRING MUST BE DONE BY A PROFESSIONAL AND IN ACCORDANCE WITH NATIONAL AND LOCAL ELECTRICAL CODES



## IMPORTANT SAFETY INSTRUCTIONS

- PLEASE READ THIS SECTION CAREFULLY BEFORE INSTALLATION -

**⚠WARNING:** TO REDUCE THE RISK OF FIRE, ELECTRIC SHOCK OR PERSONAL INJURY, OBSERVE THE FOLLOWING:

- 1) Installation and electrical wiring must be done by qualified professionals and in accordance with all applicable codes and standards, including fire-rated construction.
- 2) When cutting or drilling into wall or ceiling, be careful not to damage electrical wiring or other hidden utilities.
- 3) Ducted fans must be vented to the outside.
  - a) Before servicing or cleaning unit, open the light panel and SWITCH POWER OFF AT SERVICE PANEL.
  - b) Clean all grease laden surfaces frequently. To reduce the risk of fire and to disperse air properly, make sure to vent air outside. DO NOT vent exhaust air into wall spaces, attics, crawl spaces or garages.

NOTE - This warranty is invalid without an authorized agent's receipt or if unit is damaged due to misuse, poor installation, improper use, mistreatment, negligence or any other circumstances beyond the control of KOBE RANGE HOODS authorized agents.

- KOBE RANGE HOODS will not be held responsible for any damages to personal property or real estate or any bodily injuries whether caused directly or indirectly by the range hood.

**⚠WARNING:** TO REDUCE THE RISK OF PERSONAL INJURY IN THE EVENT OF A RANGE TOP GREASE FIRE:

1. Keep all fan, baffle/spacer/filter/oil tunnel/oil container and grease-laden surfaces clean. Grease should not be allowed to accumulate on fan, baffle/spacer/filter/oil tunnel/oil container.
2. Always turn hood ON when cooking.
3. Use high settings on cooking range ONLY when necessary.
4. Do not leave cooking range unattended when cooking.
5. Always use cookware and utensils appropriate for the type and amount of food prepared.
6. Use this unit only in the manner intended by the manufacturer.
7. Before servicing, switch power off at service panel and lock service panel (if possible) to prevent power from switching on accidentally.
8. Clean ventilating fan frequently.

### **What to Do In The Event Of a Range Top Grease Fire**

- SMOTHER FLAMES with a tight fitting lid, cookie sheet, or metal tray, and then turn off the burner. KEEP FLAMMABLE OR COMBUSTIBLE MATERIAL AWAY FROM FLAMES. If the flames do not go out immediately, EVACUATE THE AREA AND CALL THE FIRE DEPARTMENT or 911.
- NEVER PICK UP A BURNING PAN – You May Get Burned.
- DO NOT USE WATER, including wet dishcloths or towels – a violent steam blast will result.
- Use an extinguisher ONLY if:
  - a) You have a Class A, B, C extinguisher and know how to operate it.
  - b) The fire is small and contained in the area where it started.
  - c) The fire department has been called.
  - d) You can fight the fire with your back to an exit.

### **What to Do If You Smell Gas**

- Extinguish any open flame.
- Do not try to turn on the lights or any type of appliance.
- Open all doors and windows to disperse the gas. If you still smell gas, call the Gas Company and Fire Department right away.

### **CAUTION**

- 1) For general ventilation use only. Do not use to exhaust hazardous or explosive materials and vapors.
- 2) To reduce the risk of fire, use only metal ductwork. Sufficient air is needed for proper combustion and exhausting of gases through the flue (chimney) to prevent back drafting.
- 3) Follow the heating equipment manufacturer's guideline and safety standards such as those published by the National Fire Protection Association (NFPA), and the American Society for Heating, Refrigeration and Air Conditioning Engineers (ASHRAE), and code authorities.
- 4) Activating any switch on may cause ignition or an explosion.
- 5) Due to the size and weight of this hood, two people installation is recommended.

#### **WARNING**



**ELECTRICAL SHOCK HAZARD – Can result in serious injury or death. Disconnect appliance from electric power before servicing. If equipped, the fluorescent light bulb contains small amounts of mercury, which must be recycled or disposed of according to Local, State, and Federal Codes.**

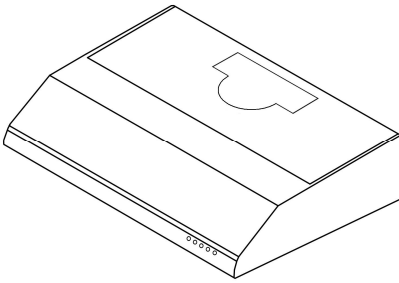
# COMPONENTS OF PACKAGE

(Must keep all material for returns or refunds)

## Range Hood Box

- {A} KOBE Range Hood
- {B} Warranty Registration Card
- {C} Instructions Manual
- {D} 6" Round Exhaust Plate
- {E} 3-1/4" x 10" Exhaust Plate
- {F} 3-1/4" x 10" Vent Cover
- {G} Top Vent Cover
- {H} Oil Containers (Rectangular)
- {I} Oil Containers (Round)

{A}



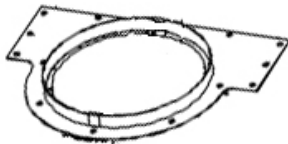
{B}

|   |                               |
|---|-------------------------------|
| WARRANTY REGISTRATION CARD  |                               |
| PLEASE CHECK IN THE BOX   |                               |
| FIRST NAME _____  | LAST NAME _____               |
| EMAIL _____   | PHONE _____                   |
| CITY _____  | STATE _____ POSTAL CODE _____ |
| SITE OF PURCHASE _____  |                               |
| MODEL NO. _____   | DATE OF PURCHASE _____        |
| ADDRESS _____   | PHONE NO. _____               |
| SIGNATURE _____   |                               |
| Date This Hood Is Not Over 30 Days  |                               |
| <p>IMPORTANT: Please do not return this hood for a refund or exchange unless you are not satisfied with the hood. Please do not return this hood for a refund or exchange unless you are not satisfied with the hood.</p> |                               |
| <b>KOBE</b> KOBE RANGE HOODS  |                               |
| <p>THIS HOOD HAS BEEN MANUFACTURED, TESTED AND REPORTED TO THE STANDARDS REQUIRED BY KOBE RANGE HOODS.</p>  |                               |
| MODEL NO. _____   | DATE OF PURCHASE _____        |
| LEAK TEST _____   | PERFORMANCE TEST _____        |
| FINAL INSPECTION _____  |                               |
| <p>IF YOU HAVE ANY QUESTIONS, PLEASE CONTACT OUR CUSTOMER SERVICE AT 1-800-888-8888 OR VISIT OUR WEBSITE AT <a href="http://www.koberangehoods.com">www.koberangehoods.com</a></p>  |                               |
| www.koberangehoods.com  |                               |

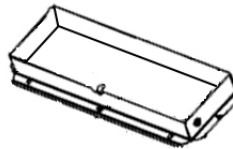
{C}



{D}



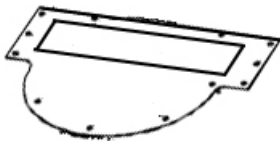
{E}



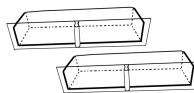
{F}



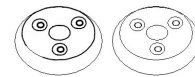
{G}



{H}



{I}



◆ FOR MORE INFORMATION, PLEASE VISIT OUR WEBSITE [www.KOBERangeHoods.com](http://www.KOBERangeHoods.com) OR CONTACT KOBE RANGE HOODS AT (626) 775-8880.

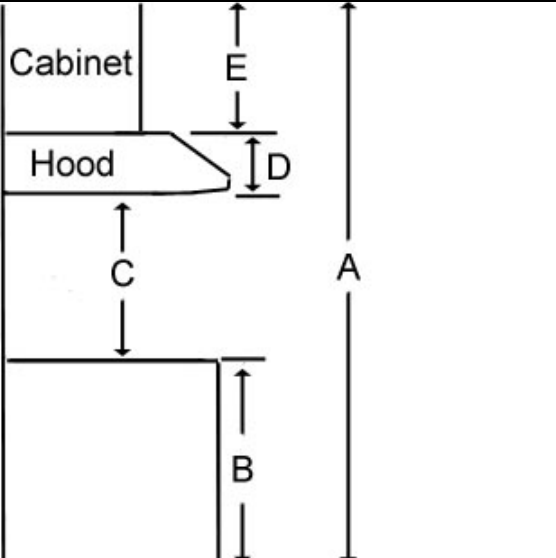
# INSTALLATION

PLEASE READ ENTIRE INSTRUCTIONS BEFORE PROCEEDING

## Calculation before Installation

To calculate installation, please refer to TABLE 1. (All calculation in inches.)

**- FOR UNDER THE CABINET -**

|  |   |
|--|---|
| <p><b>TABLE 1</b></p> <p>A = Height of Floor to Ceiling<br/>B = Height of Floor to Counter Top<br/>(Standard: 36")<br/><b>C = Preferred Height of Counter Top to Hood Bottom (Recommended 27" to 30")</b><br/>D = Height of Hood<br/>E = Height of the Cabinet</p> |  |
|--|---|

## **⚠ SAFETY WARNING**

**HOOD MAY HAVE VERY SHARP EDGES; PLEASE WEAR PROTECTIVE GLOVES IF REMOVING ANY PARTS FOR INSTALLING, CLEANING OR SERVICING.**

**NOTE: BE CAREFUL WHEN USING ELECTRICAL SCREWDRIVER, DAMAGE TO THE HOOD MAY OCCUR.**

## Preparation before Installation

NOTE: TO AVOID DAMAGE TO YOUR HOOD, PREVENT DEBRIS FROM ENTERING THE VENT OPENING.

- Decide the location of the venting pipe from the hood to the outside. Refer to Figure 1.
- A straight, short venting run will allow the hood to perform more efficiently.
- Try to avoid as many transitions, elbows, and long run as possible. This may reduce the performance of the hood.
- Temporarily wire the hood to test for proper operation before installing.
- Peel protective film off the hood (if any).
- For installing under the cabinet with recessed bottom, attach 4-inch wide wood filler strips (not included) on each side. Refer to Figure 2.
- Measure and create access opening for electrical wires under the cabinet.
- Using reference on Page 11 to measure and create access opening for electrical wires and exhaust under the cabinet.
- Using reference on Page 11 to position the mounting screws (not included) underneath the cabinet.

## Vent option installation

1. Choose the require vent option.  
NOTE: If the hood is to be installed as ductless application, please do not remove any duct knockout located at the top or the back of the hood.
2. For 6" Round vent installation only:
  - Attached the 6" exhaust plate using 13 screws (provided). Refer to Figure 3.
3. For Top 3-1/4" x 10" vent installation only:
  - Align and secure the top vent cover and 3-1/4" x 10" Exhaust plate using 13 screws (provided). Refer to Figure 4.
4. For Rear 3-1/4" x 10" vent installation only:
  - Align and secure the top vent cover and 3-1/4" x 10" vent cover using 13 screws (provided). Refer to Figure 5.
  - Remove the duct knockout located at the back of the hood.
  - Attached the 3-1/4" x 10" exhaust plate at the back of the hood using 6 screws (provided).

Figure 1

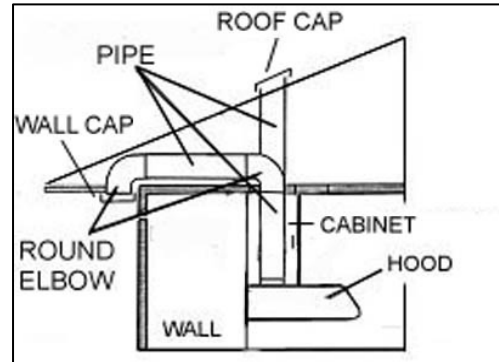


Figure 2

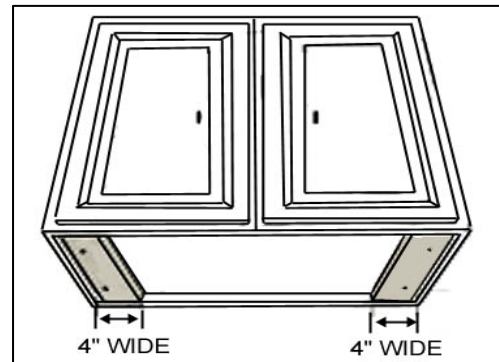


Figure 3

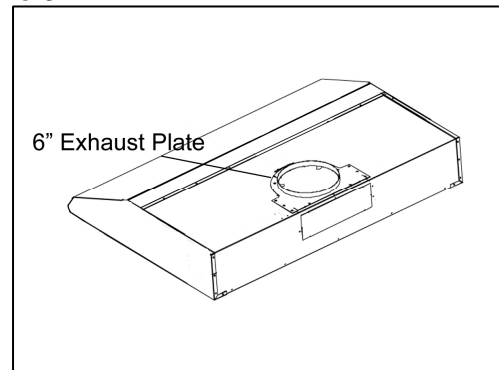
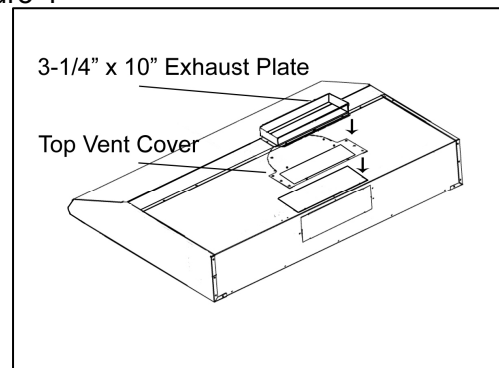


Figure 4



## Hood Installation

**CAUTION:** If required to move the cooking range to install the hood, turn off the power on an electric range at the main electrical box. **SHUT OFF THE GAS BEFORE MOVING A GAS RANGE.**

5. Unscrew the three screws on the bottom casing. Remove the bottom casing if necessary; arrange the electrical wires to run through the 1" diameter hole on the top or the rear of the hood.
6. Using references on Table 1 and measurements on page 11 center the hood in place beneath the cabinet and flush with the front of the cabinet.
7. Draw electrical wires through cabinet access opening.
8. Align screws with the mounting holes on top of the range hood, and push toward the wall to secure the unit in place. Refer to Figure 7.

## Wiring to Power Supply



### **SAFETY WARNING**

**RISK OF ELECTRICAL SHOCK. THIS RANGE HOOD MUST BE PROPERLY GROUNDED. MAKE SURE THIS IS DONE BY SPECIALIZED ELECTRICIAN IN ACCORDANCE WITH ALL APPLICABLE NATIONAL AND LOCAL ELECTRICAL CODES. BEFORE CONNECTING WIRES, SWITCH POWER OFF AT SERVICE PANEL AND LOCK SERVICE PANEL TO PREVENT POWER FROM BEING SWITCHED ON ACCIDENTALLY.**

9. Connect the electrical wires.
  - Connect three wires (black, white and green) to house wires and cap with wire connectors. Connect according to color: black to black, white to white, and green to green.

## Ductwork Installation

10. Use steel pipe to connect the plastic exhaust on the hood to the ductwork above. Use duct tape to make all joints secure and air tight.

Figure 5

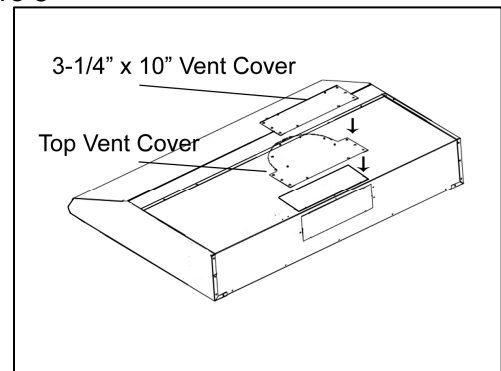


Figure 6

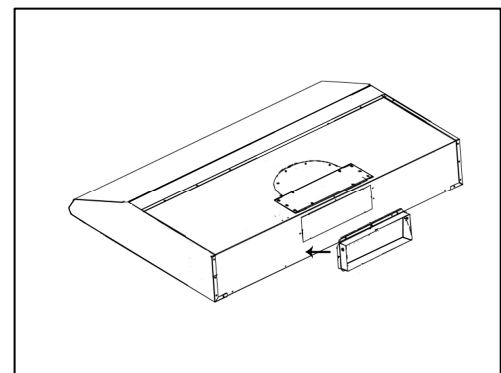
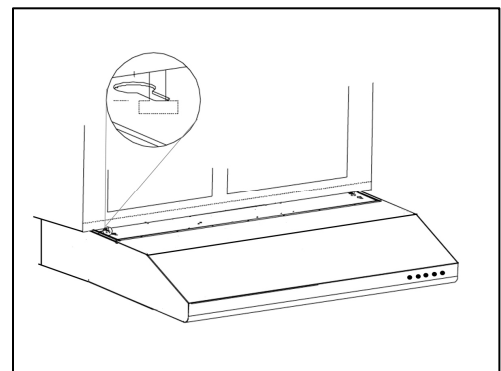


Figure 7





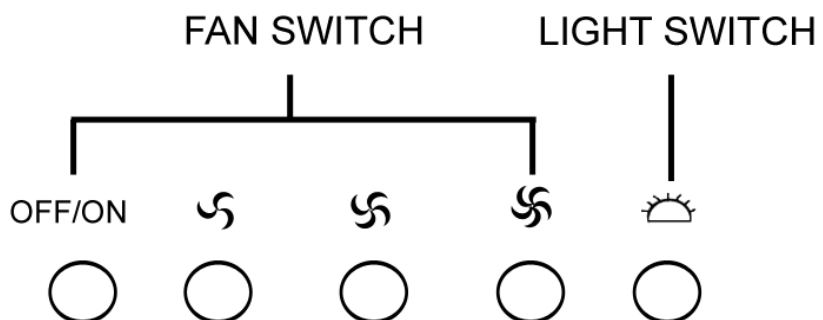
## **Install Accessories**

11. Place the oil container (round) into keyhole under each safety screen. Turn clock-wise until firmly in place.
12. Slide oil container (oval) into plastic slot behind each safety screen.




## **Final Installation**

13. Turn power ON in control panel. Check all lights and fan operation.
14. Make sure to leave this manual for the homeowner.

## OPERATING INSTRUCTIONS



### To operate the fan function

- Press button to choose from speed.
  -  = Low speed
  -  = Medium speed
  -  = High speed
- Press "OFF/ON" to turn fan off.

### To operate the light function

- Press the Light Control to turn lights on and off.

## MAINTENANCE

### SAFETY WARNING

NEVER PUT YOUR HAND INTO AREA HOUSING THE FAN WHILE THE FAN IS OPERATING.

#### Cleaning Hood Surface

### CAUTION: NEVER USE ABRASIVE CLEANERS, PADS, OR CLOTHS. DO NOT USE PAPER TOWEL ON STAINLESS STEEL.

For optimal operation, clean range hood and all baffle/spacer/filter/oil tunnel/oil container regularly.

\*\*\* Regular care will help preserve the appearance of the hood.

1. Use only mild soap or detergent solutions. Dry surfaces using soft cloth. DO NOT USE PAPER TOWELS.
2. If hood looks splotchy (stainless steel hood), use a stainless steel cleaner to clean the surface of the hood. Avoid getting cleaning solution onto or into the control panel. Follow directions of the stainless steel cleaner. **Caution: Do not leave on too long as this may cause damage to hood finish.** Use soft towel to wipe off the cleaning solution, gently rub off any stubborn spots. Use dry soft towel to dry the hood.
3. DO NOT allow deposits to accumulate or remain on the hood.
4. DO NOT use ordinary steel wool or steel brushes. Small bits of steel may adhere to the surface and cause rusting.
5. DO NOT allow salt solutions, disinfectants, bleaches, or cleaning compounds to remain in contact with stainless steel for extended periods. Many of these compounds contain chemicals, which may be harmful. Rinse with water after exposure and wipe dry with a clean lint free cloth.

#### To Clean Oil Containers, Safety Screens and Impellers

CAUTION: DRAIN OIL CONTAINER BEFORE OIL CAN OVERFLOW.

- 1) Normal Cleaning
  - Spray a mild degreaser into the fan and turn on high speed. Liquid residue will accumulate in the oil containers.
- 2) Cleaning Oil Containers
  - Remove the oil container (round) by turning counter-clockwise.
  - Remove the oil container (rectangular) by sliding forward.
  - Wash with warm soapy water. Dry completely before returning into place.
  - *Top rack dishwasher safe.*
- 3) Cleaning Safety Screens
  - Remove the safety screen screw and slide the safety screen out.
  - Wash with warm soapy water. Dry completely before returning into place.
  - *Top rack dishwasher safe.*

# SPECIFICATIONS

|                                     |  |            |              |      |
|-------------------------------------|--|------------|--------------|------|
| Series                              | CHX20 Series   |            |              |      |
| COLOR                               | Commercial Grade Stainless Steel   |            |              |      |
| VOLTAGE                             | 120V 60Hz  |            |              |      |
| NUMBER OF MOTORS                    | 2  |            |              |      |
| DESIGN                              | Seamless / Satin Finish  |            |              |      |
| FAN TYPE                            | Twin Turbine Impeller  |            |              |      |
| EXHAUST                             | Top –<br>6" Round<br>3-1/4" x 10" Rectangular<br>Rear –<br>3-1/4" x 10" Rectangular  |            |              |      |
| CONTROLS                            | Push Button control system   |            |              |      |
| LIGHTS                              | 1-watt LED light x 2   |            |              |      |
| OPTIONAL ACCESSORIES<br>(W x D x H) | 1) 30" Stainless Steel Back Panel<br>(SSP30) 30" x 1/10" x 32"<br>2) 36" Stainless Steel Back Panel<br>(SSP36) 36" x 1/10" x 32" |            |              |      |
| WEIGHT (lbs)                        |  | <u>Net</u> | <u>Gross</u> |      |
|                                     | 30"  | 37         | 39           |      |
|                                     | 36"  | 40         | 42           |      |
| SPEED                               |  | Low        | Medium       | High |
| Air Capacity (cfm)                  |  | 280        | 450          | 680  |
| Sone*                               |  | 1.8        | 3.0          | 5.2  |

\*One sone is equivalent to the sound of a refrigerator at 40 decibels.

\*\*Specifications subject to change without notice.

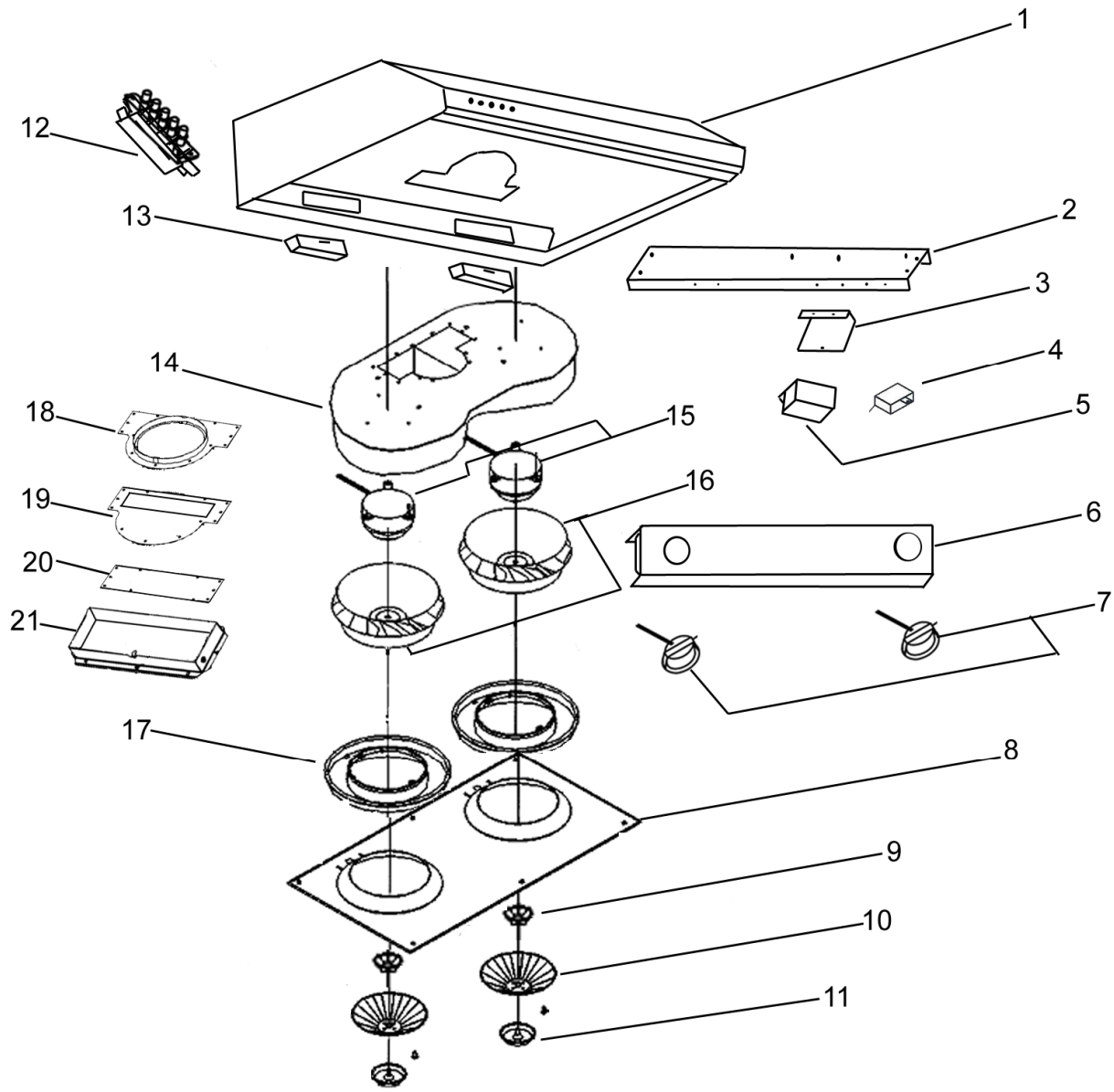


## PARTS LIST

MODEL NO.: CHX2030PVS-OL  
CHX2036PVS-OL

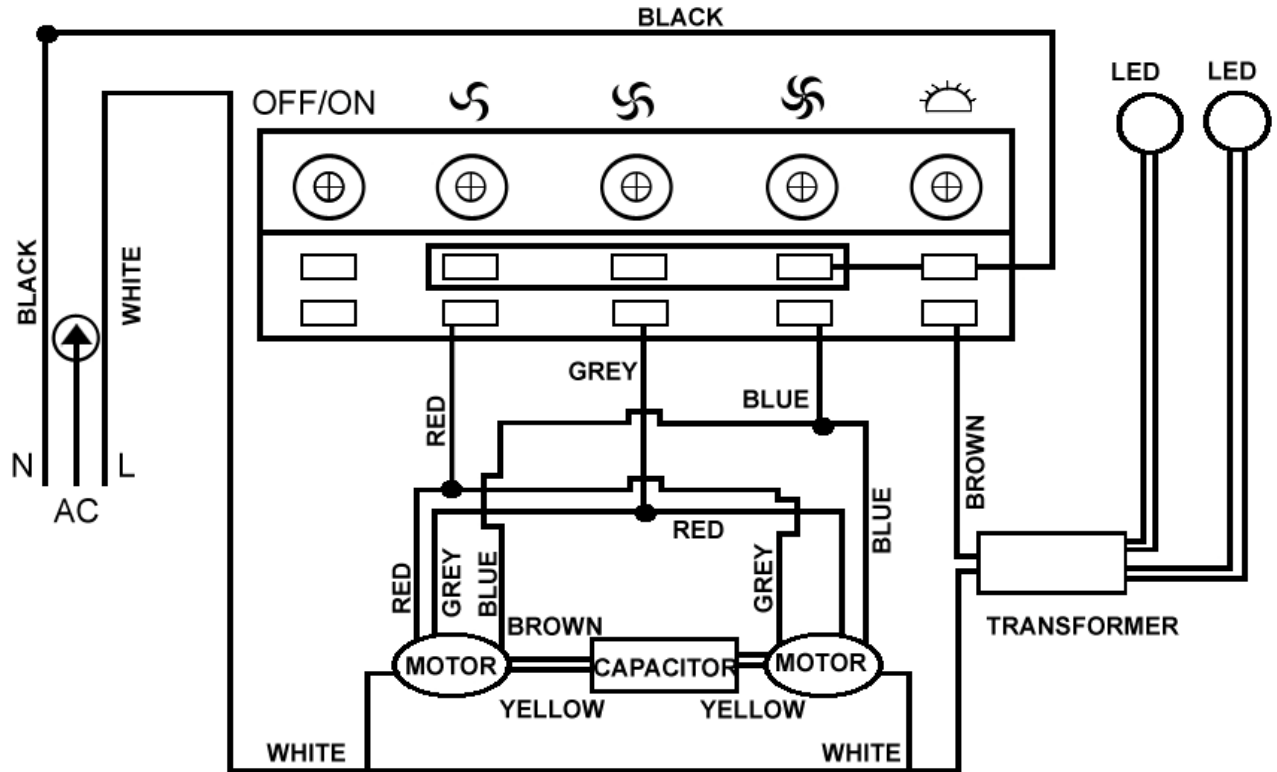
| NO. | DESCRIPTION                   | MODEL /SIZE | PART NO.      |
|-----|-------------------------------|-------------|---------------|
| 1   | Hood Casing                   |             | CH-20-01-0001 |
| 2   | Transformer Support           |             | CH-20-01-0002 |
| 3   | Transformer Bracket           |             | CH-20-01-0003 |
| 4   | Capacitor                     |             | CH-20-01-0004 |
| 5   | Light Transformer             |             | CH-20-01-0005 |
| 6   | Light Support                 |             | CH-20-01-0006 |
| 7   | LED Light                     |             | CH-20-01-0007 |
| 8   | Bottom Casing                 |             | CH-20-01-0008 |
| 9   | Impeller Plastic Cup          |             | CH-20-01-0009 |
| 10  | Safety Screen                 |             | CH-20-01-0010 |
| 11  | Round Oil Container           |             | CH-20-01-0011 |
| 12  | Control Panel                 |             | CH-20-01-0012 |
| 13  | Rectangular Oil Container     |             | CH-20-01-0013 |
| 14  | Air Chamber                   |             | CH-20-01-0014 |
| 15  | Left & Right Motor            |             | CH-20-01-0015 |
| 16  | Left & Right Turbine Impeller |             | CH-20-01-0016 |
| 17  | Oil Tunnel                    |             | CH-20-01-0017 |
| 18  | 6" Exhaust Plate              |             | CH-20-01-0018 |
| 19  | Top Vent Cover                |             | CH-20-01-0019 |
| 20  | 3-1/4" x 10" Vent Cover       |             | CH-20-01-0020 |
| 21  | 3-1/4" x 10" Exhaust Plate    |             | CH-20-01-0021 |

MODEL NO.: CHX2030PVS-OL  
CHX2036PVS-OL



# CIRCUIT DIAGRAM

MODEL NO.: CHX2030PVS-OL  
CHX2036PVS-OL





## TROUBLE SHOOTING

| <b>Issue</b>  | <b>Possible Cause</b>   | <b>Solution</b>   |
|---|---|---|
| After Installation, both motors and lights are not working. | The power is not on.  | Make sure the circuit breaker and the unit's power is ON. Use a voltage meter to check the power supply.  |
|   | The wire connection is not secure.  | Check and tighten wire connection.  |
|   | The control panel is defective.   | Replace the control panel   |
| Lights are working, but motor(s) is not.                    | The motor(s) is defective.  | Replace the motor.  |
|   | The capacitor(s) is defective.  | Replace capacitor(s).   |
|   | The control panel is defective.   | Replace the control panel.  |
| The range hood is vibrating.                                | The blower system is not secure.  | Tighten the turbine impeller/squirrel cage and air chamber.   |
|   | The turbine impeller/squirrel cage is not balanced.                           | Replace the turbine impeller/squirrel cage.   |
|   | Hood is not secured in place.   | Check the installation of hood, tighten the mounting bracket.   |
| The motor is working, but the lights are not working.       | LED light(s) is defective.  | Replace the LED light fixture.  |
|   | The light wiring(s) is loose.   | Check wire continuity from control panel to light transformer to LED light fixture(s).  |
|   | Light transformer is defective.   | Check power input and power output on the light transformer. If it's needed, replace the light transformer.   |
|   | The control panel is defective.   | Replace the control panel.  |
| The range hood is not venting out correctly.                | The range hood is installed outside of the manufacture recommended clearance. | Adjust the clearance between the range hoods and cook top to 27" to 30". For Island range hood, the clearance between the range hoods and cook top is 30" to 36". |
|   | There is no make-up air inside the house.                                     | Open the window to enhance the performance of the range hood by creating a sufficient make-up air.  |
|   | Obstacle blocking the pipe work.  | Remove all obstacles from the duct work.  |
|   | The pipe size is smaller than the suggested pipe size.                        | Change the ducting according to the manufacture suggestion.   |
| Cold air is coming into the home.                           | The pipe connection is not properly sealed.                                   | Check the pipe installation.  |
|   | The damper is not properly installed or is missing from the installation.     | Check the damper installation.  |
|   | The damper is not installed.  | By installing the damper, it will help to eliminate air backflow.   |

## DISCLAIMER

1. **CAREFULLY INSPECT ALL ITEMS FOR DAMAGES BEFORE ACCEPTING DELIVERY. NOTE ANY DAMAGES ON THE FREIGHT BILL OR EXPRESS RECEIPT. REQUEST NAME AND SIGNATURE OF THE CARRIER'S AGENT AND KEEP COPY TO SUPPORT YOUR CLAIM.**

Upon acceptance of items, owner assumes responsibility for its safe arrival. Report damages to the carrier and file a claim immediately. Failure to do so may result in the denial of your claim. The carrier will furnish you with necessary forms for filing a claim.

**DAMAGES CAUSED DURING TRANSIT ARE NOT COVERED UNDER OUR WARRANTY.**

2. **PLEASE INSPECT CONTENTS OF PACKAGE(S) CAREFULLY UPON RECEIVING!**

We must be notified in writing of any damages and/or missing parts within the allocated days upon your receipt of package(s). Contact your local KOBE dealer or distributor or call KOBE for the time limit.

**CLAIMS WILL NOT BE ACCEPTED AFTER THE ALLOCATED DAYS.**

NOTE: ITEMS WERE THOROUGHLY TESTED AND CAREFULLY PACKED IN OUR FACTORY BEFORE SHIPPING.

3. Products must be returned in good working condition with ALL original parts and documentation packed in ALL original cartons, fillers and shipping cartons. A restocking fee of 25% will be charged for all approved return(s).

**EXCHANGES OR RETURNS MAY NOT BE ACCEPTED IF ANY PACKAGING IS MISSING.**

4. **MAKE SURE TO INSPECT THE HOOD FOR DAMAGES AND DEFECTS BEFORE INSTALLATION.** Appearance flaws of the hood found after installation and not affecting hood performance is not covered under our warranty for returns or exchanges. Service visits not covered under warranty will carry a service charge.

A) Before Installation: Return for exchange or refund (please see above for acceptable returns).

B) After Installation: **NO** exchange or refund.

# WARRANTY

## WARRANTY CERTIFICATE

KOBE Range Hoods, warrants all products manufactured or supplied by it to be free from defects in workmanship and materials. Its obligations pursuant to this warranty are limited to a period of one year from the date of purchase and to the replacement at its option and subject to the terms and conditions stated below, of any component part, which its examination shall disclose to be so defective.

### ONE-YEAR PART WARRANTY

Any covered failure occurring within one year of original purchase arising from defective workmanship or material in manufacture will be at our discretion, replaced free of charge by KOBE Range Hoods as applicable. Keep proof of purchase (or original invoice) handy for inspection.

If the range hood is sold by the original purchaser during the warranty period the new owner is protected until expiration of the original purchaser's warranty.

### CONDITIONS

The following conditions apply only in relation to the warranty expressly given in this certificate.

- 1) This warranty applies only:
  - a) within U.S.A. and Canada.
  - b) to range hoods used for PRIVATE SINGLE FAMILY USE (if used for COMMERCIAL or MULTIPLE FAMILY USE or other purposes, warranty will be voided).
- 2) Repair of any fault to be provided under this warranty shall not be provided:
  - a) if the identification number attached to the range hood has been altered, rendered illegible or removed;
  - b) if notice of the defect has not been given within the period applicable;
  - c) for failure of light bulbs or heat lamps;
  - d) for physical damage;
  - e) for surfaces damaged by use of improper chemical cleaning agents;
  - f) if the appliance has been:
    - i) subject to misuse, abuse, negligence, accident, incorrect installation or failure to follow the operating instructions;
    - ii) connected to improper, inadequate or faulty electricity service or exhaust ducts, flues or duct cover, or operated using incorrect or contaminated lubricants;
    - iii) installed, maintained or operated otherwise than in accordance with the instructions furnished by KOBE Range Hoods including the improper use of detergents, bleaches, or cleaners.
  - g) for damage to range hood during transit, delivery, installation or removal;
  - h) noise or vibration caused by improper installation of range hood and/or damper.
- 3) The purchaser must produce proof of purchase together with this warranty certificate when making the claim.
- 4) Damages caused during shipment are not covered under our warranty.

## **CONSEQUENTIAL DAMAGE**

The warrantor is not responsible for any consequential damage. SOME STATES DO NOT ALLOW THE EXCLUSION OF CONSEQUENTIAL DAMAGE SO THE ABOVE EXCLUSION MAY NOT APPLY TO YOU.

## **IMPLIED WARRANTIES/STATE LAW**

Any implied warranties, including the implied warranty of merchantability and fitness for purpose, imposed on the sale by the laws of the state of sale are limited to one year from the date of original purchase. Some states do not allow limitations on the duration of implied warranties. This warranty gives you specific legal rights, and may also have rights, which vary from state to state.

## **SERVICE**

For service contact:

KOBE Range Hoods  
11775 Clark Street  
Arcadia, CA 91006  
U.S.A.  
Tel: (626) 775-8880  
Email: [Customer.Service@KOBERangeHoods.com](mailto:Customer.Service@KOBERangeHoods.com)  
Website: [www.KOBERangeHoods.com](http://www.KOBERangeHoods.com)

## PRODUCT REGISTRATION

### Register Your Product!

Any covered failure occurring within one year of original purchase arising from defective workmanship or material in manufacture will at our discretion, be replaced free of charge by KOBE Range Hoods as applicable. Keep proof of purchase (original invoice) handy for inspection.

If the range hood is sold by the original purchaser during the warranty period the new owner is protected until expiration of the original purchaser's warranty. See warranty section for complete warranty coverage information.

This appliance has been manufactured, tested, and inspected to the standards required by KOBE Range Hoods.

### PLEASE MAIL IN YOUR WARRANTY REGISTRATION CARD AND PROOF OF PURCHASE TO:

KOBE Range Hoods  
Warranty Registration  
11775 Clark Street  
Arcadia, CA 91006  
U.S.A.

### RECORD THE FOLLOWING INFORMATION FOR YOUR RECORD:

Model No. \_\_\_\_\_

Serial No. \_\_\_\_\_

Purchased Date \_\_\_\_/\_\_\_\_/\_\_\_\_

Purchased From:

\_\_\_\_\_

\_\_\_\_\_

\_\_\_\_\_

**IMPORTANT: PLEASE KEEP A COPY OF YOUR SALE RECEIPT OR INVOICE HANDY WHEN REQUESTING FOR SERVICE.**

# KOBE®

KOBE Range Hoods  
11775 Clark Street  
Arcadia, CA 91006 USA

<http://www.KOBERangeHoods.com>

This KOBE hood is made for use in the USA and CANADA only. We do not recommend using this hood overseas as the power supply may not be compatible and may violate the electrical code of that country. **Using a KOBE hood overseas is at your own risk and will void your warranty.**

Information subject to change without notice.

VER.120509