

KOBE® KOBE Brand Range Hood

CH-178 Model

Model #CH7830WQ

Model #CH7830BQ

Model #CH7830SQ

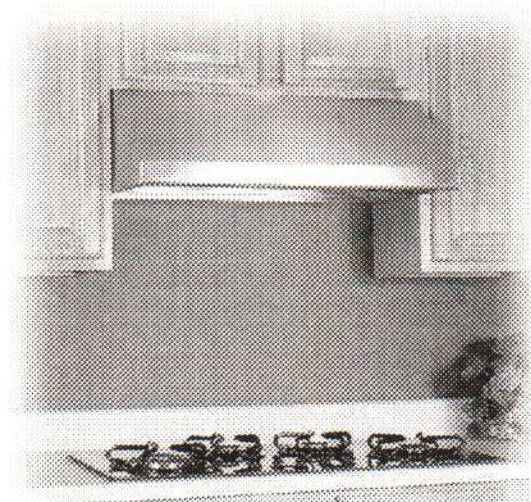
Model #CH7836WQ

Model #CH7836BQ

Model #CH7836SQ

Model #CH7842SQ

Model #CH7848SQ



INSTALLATION INSTRUCTIONS AND OPERATION MANUAL



- READ AND SAVE THESE INSTRUCTIONS -
- READ ALL INSTRUCTIONS CAREFULLY BEFORE STARTING -

ALL WIRING MUST BE DONE BY A PROFESSIONAL AND IN ACCORDANCE WITH NATIONAL AND LOCAL ELECTRICAL CODES.

- PLEASE READ THIS SECTION CAREFULLY BEFORE INSTALLATION -

WARNING – TO REDUCE THE RISK OF FIRE, ELECTRIC SHOCK OR PERSONAL INJURY, OBSERVE THE FOLLOWING:

- 1) Installation work and electrical wiring must be done by qualified professionals and in accordance with all applicable codes and standards, including fire-rated construction.
- 2) When cutting or drilling into wall or ceiling, be careful not to damage electrical wiring or other hidden utilities.
- 3) Ducted fans must always be vented to the outside.
 - a) Before servicing or cleaning unit, open the light panel and SWITCH POWER OFF AT SERVICE PANEL.
 - b) Clean fan, optional filter and grease laden surfaces frequently. To reduce the risk of fire and to properly disperse air, make sure to vent air outside. DO NOT vent exhaust air into wall spaces, attics, crawl spaces or garages.

NOTE

- **This warranty is invalid without an authorized agent's receipt or if unit is damaged due to misuse, poor installation, improper use, mistreatment, negligence or any other circumstances beyond the control of KOBE RANGE HOODS authorized agents. Any repair carried out without the supervision of KOBE RANGE HOODS authorized agents will automatically void the warranty.**
- **KOBE RANGE HOODS will not be held responsible for any damages to personal property or real estate or any bodily injuries, whether caused directly or indirectly by the range hood.**

CAUTION – FOR GENERAL VENTILATION USE ONLY. DO NOT USE TO EXHAUST HAZARDOUS OR EXPLOSIVE MATERIALS AND VAPORS. TO REDUCE THE RISK OF FIRE, USE ONLY METAL DUCTWORK. SUFFICIENT AIR IS NEEDED FOR PROPER COMBUSTION AND EXHAUSTING OF GASES THROUGH THE FLUE (CHIMNEY) OF FUEL BURNING EQUIPMENT TO PREVENT BACK DRAFTING. FOLLOW THE BEATING EQUIPMENT MANUFACTURER'S GUIDELINE AND SAFETY STANDARDS SUCH AS THOSE PUBLISHED BY THE NATIONAL FIRE PROTECTION ASSOCIATION (NFPA), AND THE AMERICAN SOCIETY FOR HEATING, REFRIGERATION AND AIR CONDITIONING ENGINEERS (ASHRAE), AND CODE AUTHORITIES.

- IMPORTANT SAFETY INSTRUCTIONS -

WARNING – TO REDUCE THE RISK OF PERSONAL INJURY IN THE EVENT OF A RANGE TOP GREASE FIRE:

- * Keep fan, optional filter and grease-laden surfaces clean.
- * Always turn hood ON when cooking at high heat.
- * Use high settings on cooking range ONLY when necessary. Heat oil slowly on low to medium setting.
- * Don't leave cooking range unattended when cooking.
- * Always use cookware and utensils appropriate for the type and amount of food being prepared.
- * Use this unit only in the manner intended by the manufacturer.
- * Before servicing, switch power off at service panel and lock service panel (if possible) to prevent power from being switched on accidentally and DETACH the fuse (see section Changing the Fuse).

What to Do In The Event Of A Range Top Grease Fire

- 1) SMOTHER FLAMES with a close-fitting lid, cookie sheet, or metal tray, then turn off the burner. KEEP FLAMMABLE OR COMBUSTIBLE MATERIAL AWAY FROM FLAMES. If the flames do not go out immediately, EVACUATE THE AREA AND CALL THE FIRE DEPARTMENT or 911.
- 2) NEVER PICK UP A BURNING PAN – You may get burned.
- 3) DO NOT USE WATER, including wet dishcloths or towels – a violent steam blast will result.
- 4) Use an extinguisher ONLY if:
 - a) You know you have a Class ABC extinguisher and you already know how to operate it.
 - b) The fire is small and contained in the area where it started.
 - c) The fire department has been called.
 - d) You can fight the fire with your back to an exit.

What to Do If You Smell Gas

- Extinguish any open flame.
- Do not try to turn on the lights or any type of appliance.
- Open all doors and windows to air out any amount of gas. Call the Gas Company and Fire Department right away.

CAUTION Turning on any switch may cause ignition or an explosion.

- CONTENTS OF RANGE HOOD PACKAGE -
(Must keep all materials for returns or refunds)

- 1) KOBE range hood
- 2) Plastic packet of small parts containing:
 - a) Two safety screen
 - b) Two rectangle & 2 round oil cups
 - c) Halogen Lights 12V20W(CH-178 Models Only)
 - d) Plastic exhaust duct outlet ring for 6" or 7" Opening
 - e) Installation Manual & Warranty Card
- 3) Patented installation template guide (screw position & vent outline)
- 4) Packaging materials may include:
 - a) Plastic bag to cover hood
 - b) Styrofoam
 - c) Outer carton

Unpack hood and check contents; remove template, & plastic packet of small parts.

- PREPARING THE INSTALLATION LOCATION -

---SAFETY WARNING---

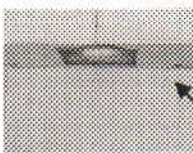
INTERIOR OF HOOD MAY HAVE VERY SHARP EDGES, PLEASE WEAR PROTECTIVE GLOVES IF YOU HAVE TO OPEN THE HOOD FOR CLEANING OR SERVICING.

NOTE: TO AVOID DAMAGE TO YOUR HOOD, PREVENT DEBRIS FROM ENTERING THE VENT OPENING.

Make sure the surface of the wall is clean and free of debris.

Providing Electrical Power Line Access (SHOULD BE DONE BY A LICENSED PROFESSIONAL)

1. If there is no electrical power line access opening, you will need to make an opening first before you can proceed further. To make an electrical power access opening, mark an outline for the opening on the cabinet bottom. Use a 1-1/4" wood bit to form the access opening. (Fig. 1) CAUTION: Be careful when operating the electric drill.

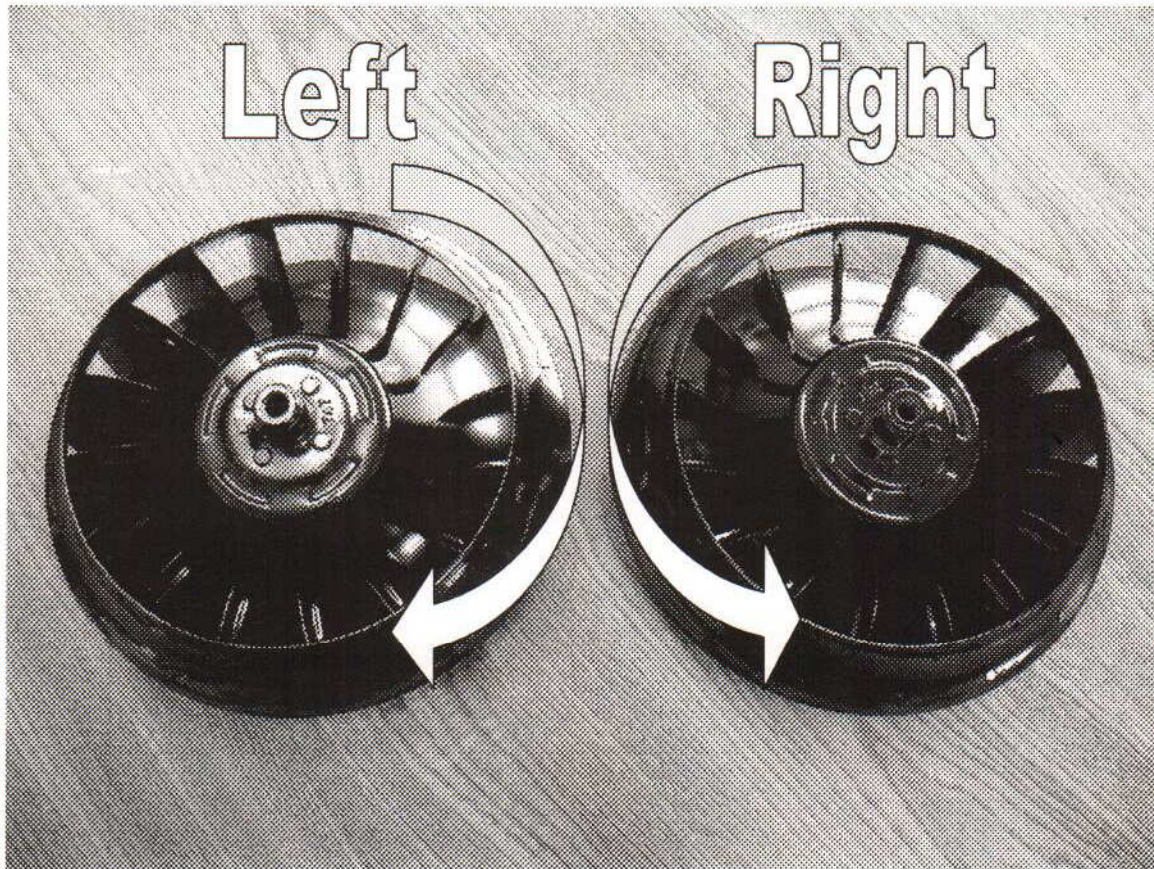


(Fig. 1)

(Electrical power access)

Direction Impellers Run

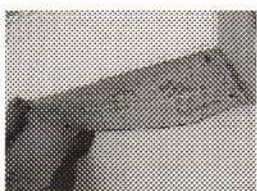
For Model CH-178



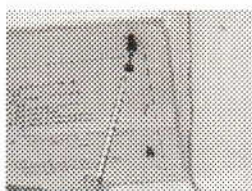
—SAFETY WARNING—

IF DRILLING INTO THE WALLS, BE CAREFUL NOT TO CUT EXISTING ELECTRICAL CABLES, WHICH WOULD CREATE A HAZARD. ALL ELECTRICAL CONNECTIONS MUST BE IN ACCORDANCE WITH LOCAL CODES, ORDINANCES, OR NATIONAL ELECTRICAL CODE. IF YOU ARE UNFAMILIAR WITH METHODS OF INSTALLING ELECTRICAL WIRING, SECURE THE SERVICES OF A QUALIFIED ELECTRICIAN.

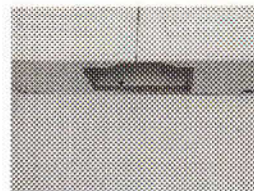
CAUTION: TO REDUCE THE RISK OF FIRE AND ELECTRIC SHOCK, DO NOT USE WITH ANY SOLID-STATE SPEED CONTROL DEVICE.



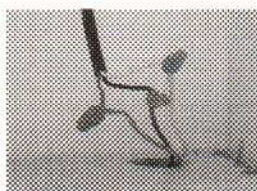
(Fig. 1a)



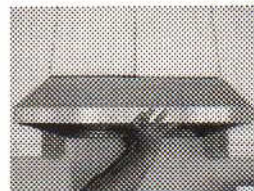
(Fig. 1b)



(Fig. 1c)



(Fig. 1d)



(Fig. 1e)

- INSTALLING THE RANGE HOOD -
(Keep all packing materials for return or exchange)

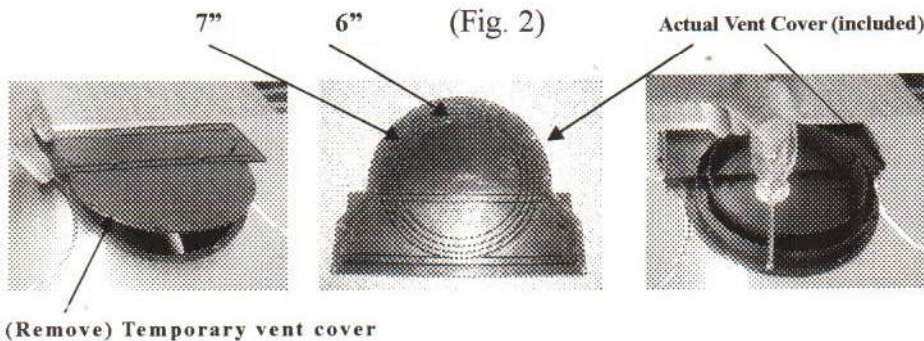
Temporarily wire the hood to test for proper operation before installing.

Before installing, please peel protective film off the hood first, if any.

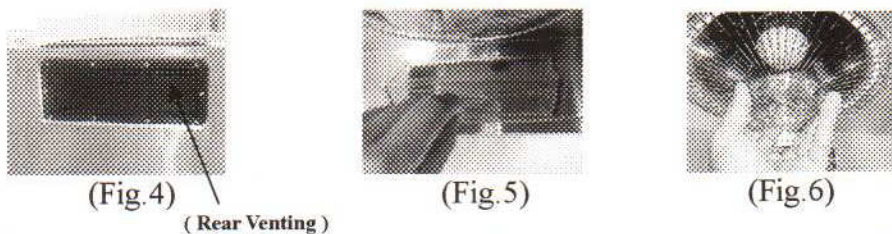
For Mounting on a Cabinet with a Flush Bottom

- 1) If you need to move the cooking range to work on the cabinet, turn off the power for an electric range at the main electrical box. **SHUT OFF THE GAS BEFORE MOVING A GAS RANGE.**
- 2) To make an electrical line access opening, please refer to section Electrical Power Line Access. Attach the template guide under the cabinet where the hood is to be installed making sure the arrows on the template is pointing to the wall (Fig 1a). Measurements are provided on patented installation template guide for those having difficulty using the template to install on a recessed bottom cabinet.

- 3) Screw four 1" wood screws (for mounting the hood) into the exact center of the plastic anchor marked on the template guide (Fig.1b). Make sure the head of the screw is comfortably resting against plastic anchor. **CAUTION:** The plastic anchor is the exact thicknesses of the top of the hood so do not over-tighten screws.
- 4)
 - a) For top venting: (CH-178 Series) cut along the dotted line of the template leaving a rectangle opening on the bottom of the cabinet. Tear out & dispose of the template. This rectangle opening is required for 6", 7" or 3 1/4" X 10" ducts. Remove temporary plastic vent portion on the top of the hood. Replace with the actual vent cover that came with the hood. Cut along the indented outline for the size of the duct opening that you need. (Fig. 2) Fasten plastic vent piece with the raised surface facing outward back onto the top of the hood. Follow step 4).



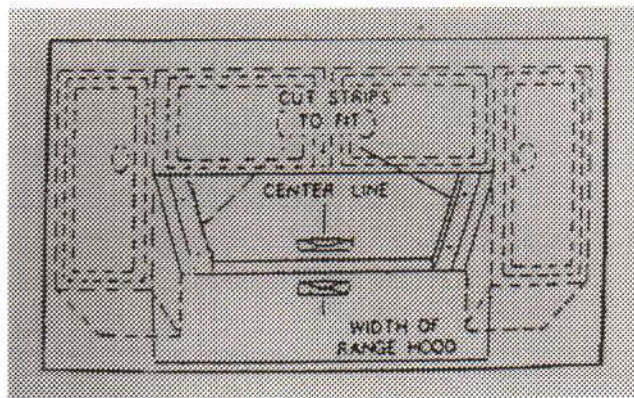
- b) For rear venting: (CH-178 Series) unscrew the rectangular plastic vent portion at the back of the hood. (Fig.4) Turn over the vent piece so that the flat surface is facing you. Cut along the indented outline until there is a 3 1/4" X 10" opening. Fasten plastic vent piece with the raised surface facing outward back onto the hood.



- 5) Take the hood, place electrical power line through access opening (Fig. 1d), align the 4 mounting slots at the top of the hood to the 4 screws, hook the hood into place & slide toward wall. The hood should snap backward into place (Fig.1e). **CAUTION: MAKE SURE THE HOOD IS SECURE BEFORE RELEASING.**
- 6) Unfasten the safety screen screw just enough to allow the hooked end of the screen to slide between the hood & the screw. Place the rectangular side of the safety screen into the open slot just to the back of the recessed fan, then place the hook end against screw & tighten screw. Do NOT over-tighten screw.
- 7) Slide each rectangular oil container into the oil container slots at the back of the safety screen. (Fig.5)
- 8) Finally, place a round oil container with the three prongs into the larger holes in the specially made openings in the center of the screen & turn clockwise until it snaps into place. Do the same for the other round oil container. (Fig.6)

For Mounting on a Cabinet with a Recessed Bottom

- 1) If you need to move the cooking range to work on the cabinet, turn off the power for an electric range at the main electrical box. **SHUT OFF THE GAS BEFORE MOVING A GAS RANGE.**
- 2) Measure the space (under the cabinet) between the inside front edge and inside back edge (Fig. 3). With a saber saw, cut two wood filler strips (not included) to fill in the bottom of the cabinet. Use 2-1/4" long wood screws (not included) to attach wood strips to the cabinet. For metal cabinet, use 3/8" x 2-1/2" bolts and nuts to secure the strips to the cabinet. The hood will be mounted on these filler strips. (For a more secure installation, you can also use screws from inside the cabinet down into the wood filler strips.) Make sure the filler strips do not cover the electrical power line access opening.



(Fig. 3)

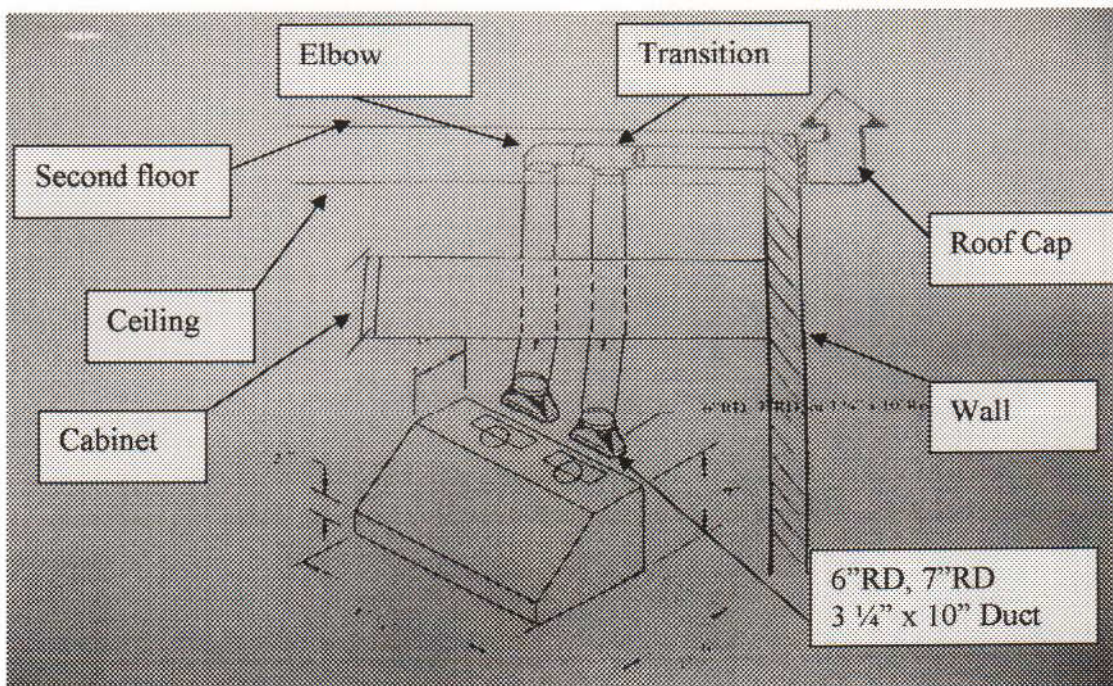
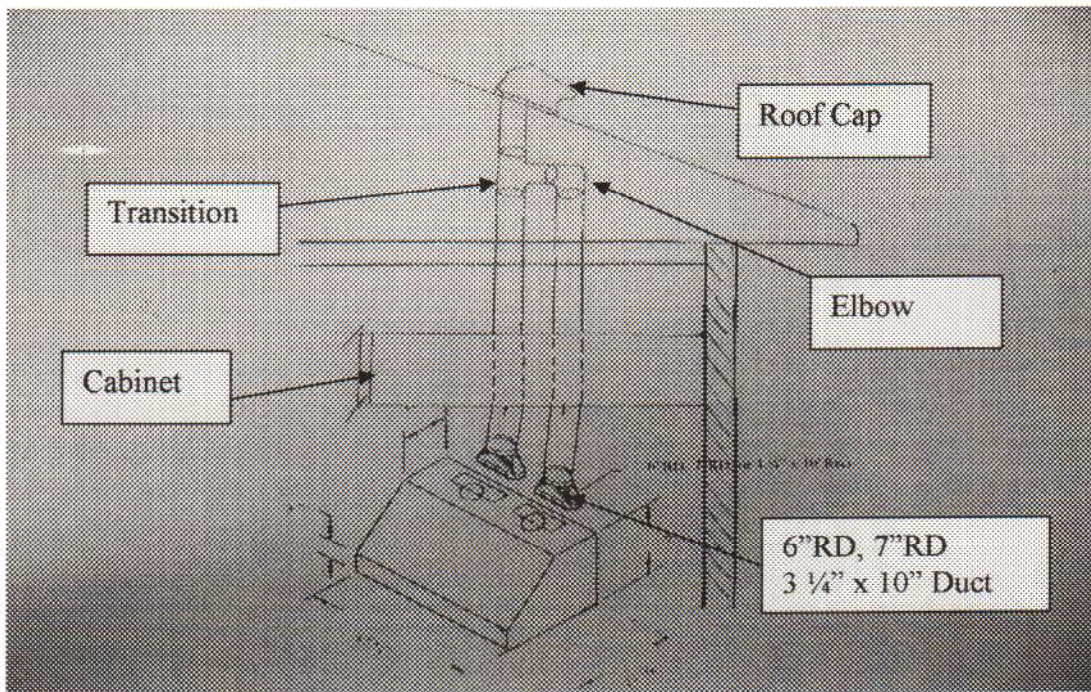
- 3) Follow installation instructions from the section For Mounting on a Cabinet with a Flush Bottom.

Installing the CH178 (42'')(48'') Hood

- 1) A minimum of 2 people should lift the CH 178(42'') (48'') hood in installing under cabinet to avoid injury and damage to the hood.
- 2) Proceed to the instructions from the section “For Mounting on a Cabinet with a flush Bottom.”

For Venting the CH 178(48'') Hood

- 1) The CH7848 should be discharge upward to utilize the maximum power of the fan.
- 2) For vertical discharge, run duct work between the hood locations to the roof cap. For best result use a minimum number of transitions and elbows.



Vertical Ducting on second floor house

Making The Electrical Connection (SHOULD BE DONE BY A LICENSED PROFESSIONAL)

---SAFETY WARNING---

INTERIOR OF HOOD MAY HAVE VERY SHARP EDGES, PLEASE WEAR PROTECTIVE GLOVES IF YOU HAVE TO OPEN THE HOOD FOR CLEANING OR SERVICING.

CAUTION: MAKE SURE ELECTRICAL POWER IS TURNED OFF BEFORE STARTING THIS SECTION.

- 1) After turning off the electrical power at the main power source, push the electrical power line through the access opening drilled earlier in the wall or bottom of the cabinet. There are three different color wire strands to be connected. Strip solid wire 5/16" and strip stranded wire 3/8".
- 2) Connect the power line ground wire to the grounding green lead supplied with the hood.
- 3) Make the electrical connections by fastening the black power wire to the black wire and the white power wire to the white wire located in the electrical wiring compartment. Align any frayed strands or conductors. Screw on conductors; push wires firmly into connectors when starting. Stop when the bottom of the connector reaches conductor. Follow all codes.
- 4) Plug into electrical outlet. Turn on power and check operation of fans and light.

Congratulations, your KOBE range hood is ready to be used!

NOTE: The recommended height from range hood bottom to top of the cooking surface is 30".

- OPERATING INSTRUCTIONS -

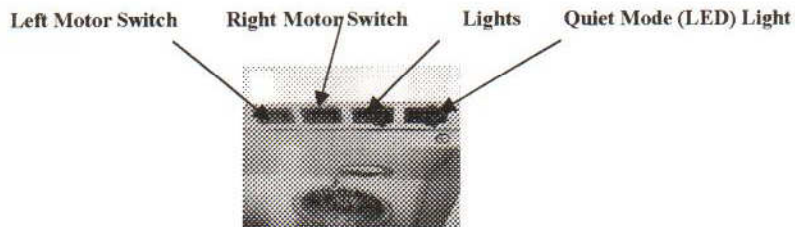
KOBE range hood motors can be operated independently of one another.

This KOBE range hood model is operated by two 2-speed switches located on the front of the hood. Each switch controls a separate motor with high and low settings. (Fig. 4) The low setting will handle most exhaust requirements while the high speed should be used for heavier cooking.

The light switch is located to the right of the control switches. (Fig. 4) NOTE: Before replacing light bulb, turn off range hood. See section on Changing the Light Bulb. DO NOT use more than a 12V 20 watt halogen light (CH-178 Series).

If your range hood is equipped with the QuietMode™ feature, the LED indicator switch will be located to the right of the light switch. When the QuietMode™ switch is turned on, the LED indicator will be lit and both fans will change into QuietMode™ regardless whether one or both fans were on. When QuietMode™ is switched off, the previous controls will take effect. Remember to turn off control switches after you are finished.

The QuietMode™ feature offers continuous ventilation at a greatly reduced noise level.



(CH-178 Switch)
(Fig. 4)

- MAINTENANCE OF THE HOOD -

---SAFETY WARNING---

INTERIOR OF HOOD MAY HAVE VERY SHARP EDGES, PLEASE WEAR PROTECTIVE GLOVES IF YOU HAVE TO OPEN THE HOOD FOR CLEANING OR SERVICING.

Cleaning

To clean the hood surface, use only mild soap or detergent solutions. Dry up surfaces using soft cloth. CAUTION: Never use abrasive cleaners, pads, or cloths.

If the hood looks splotchy (stainless steel hood), use an orange base cleaner to clean the surface of the hood (make sure the cleaner does not get on any control switches). Spread a light coating over the surface of the hood and leave on for a few minutes (do not leave on too long or there might be damage to the hood finish). Use a soft towel to wipe off the cleaning solution, gently rubbing any stubborn spots. Use a slightly damp towel to get rid of any cleaning solution. Use a dry soft towel to dry the hood.

To bring the glow back into a stainless steel finish, use a stainless steel cleaner.

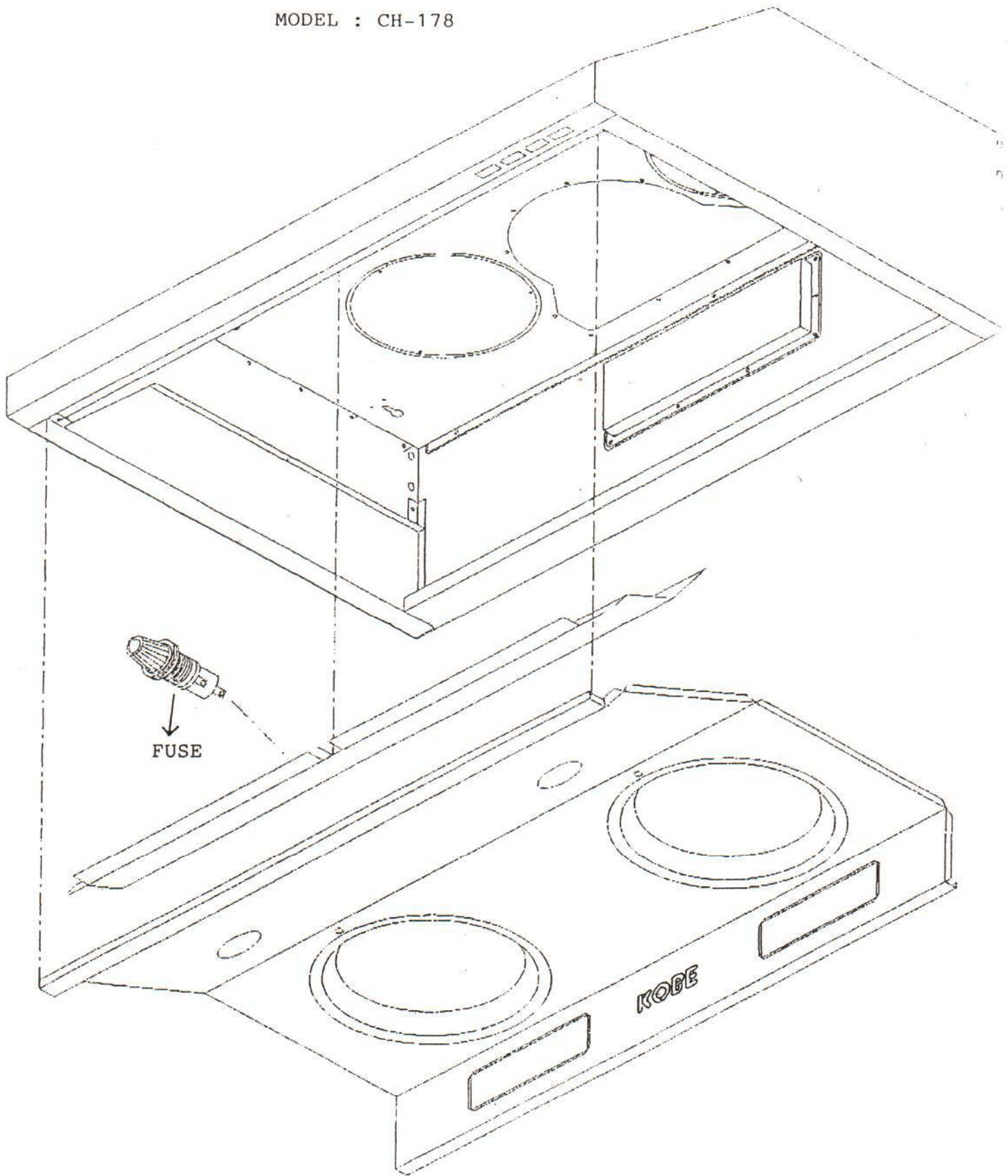
To clean range hood fans, turn both motors on high speed and spray a mild degreaser into the fans. Liquid residue will accumulate in the transparent holders located at the back of the safety screen. These slide easily in and out for cleaning. The round transparent holders attached to the fan cover can be unscrewed (turn counterclockwise) for cleaning. (To replace, just screw back in turning clockwise until it clicks into place.) To clean the fan safety screen, remove the screw (leave in a safe place), and slide safety screen out. CAUTION: Be careful of hook end of the safety screen. Both the transparent holders and fan safety screen should be washed with warm soapy water and completely dried before returning in place. (Both are top rack dishwasher safe.)

CAUTION: Never put your hand into the area housing the fan while the fan is operating.

For the most efficient operation of your range hood, clean the range hood surface, fans and optional filters regularly.

CAUTION: Drain transparent oil holders before oil can overflow.

MODEL : CH-178



Troubleshooting Guide

Problem

Solution

Light does not turn on.

- Check power is plugged in.
- Check light bulb.
- Check fuse.

One fan is turning faster than the other.

- Clean fans.
- Check for loose wires.

Fan is not turning.

- Check power is plugged in.
- Check fuse.
- Check electrical wires were connected correctly.
- Check for loose wires.
- Check switch
- Check QuietMode™ connection

QuietMode™ not working.

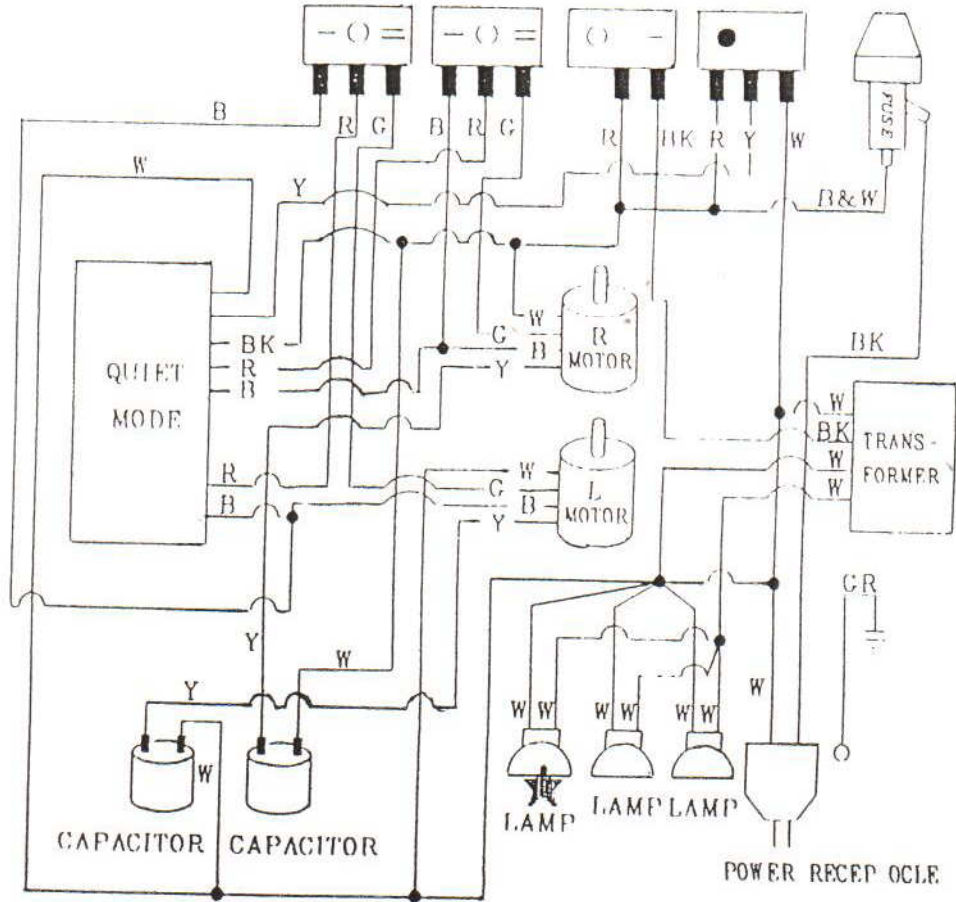
- Check power is plugged in.
- Check fuse.
- Check electrical wires were connected correctly.
- Check for loose wires.
- Check switch
- Check QuietMode™ connection
- Check left/right motor is working.

LED light is off.

- Check power is plugged in.
- Check fuse.
- Check electrical wires were connected correctly.
- Check for loose wires.
- Check switch

- Circuit Diagram -

Model CH -178 (30" 36" 42")



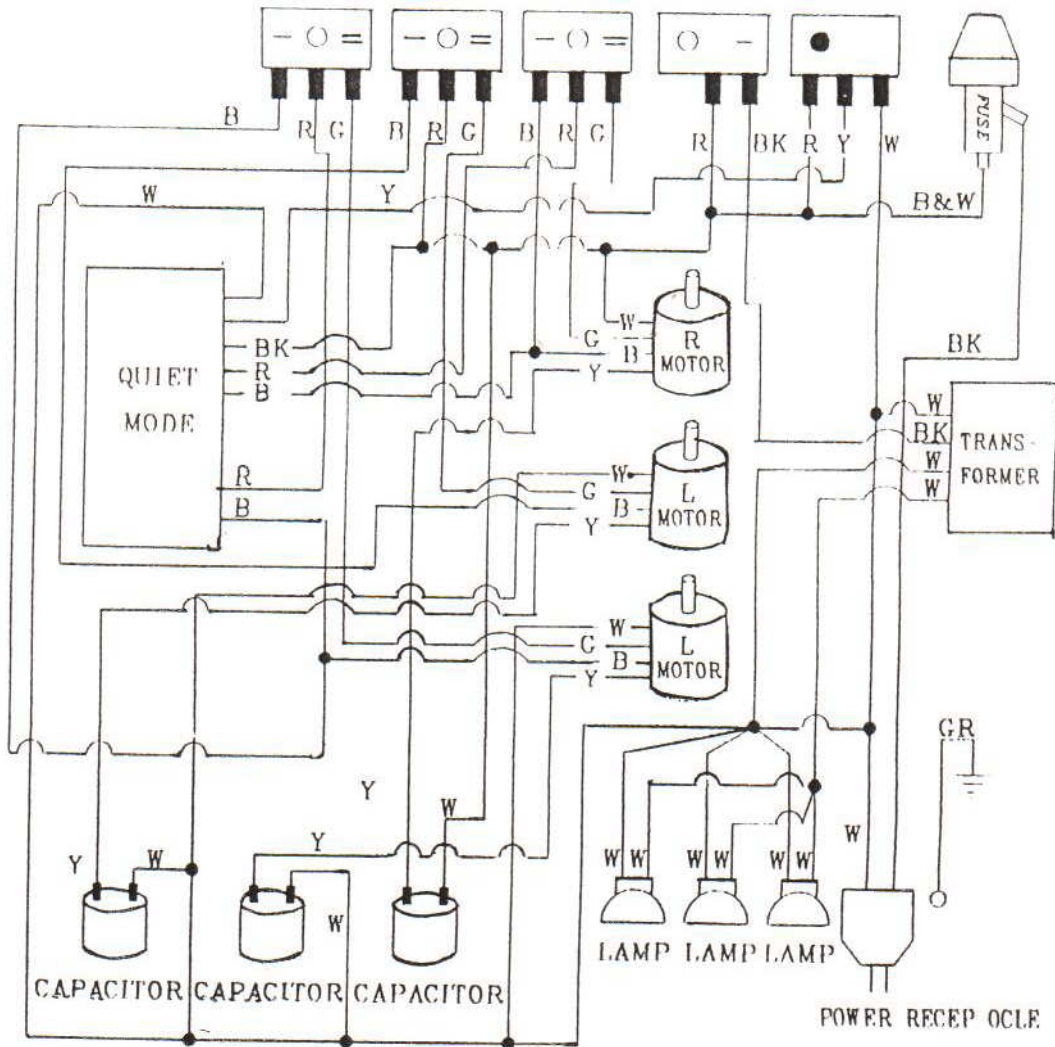
30" 36" : 2 LAMP

★ 42" : 3 LAMP

Y-YELLOW	R-RED
B-BLUE	BR-BROWN
G-CREY	GR-GREEN
W-WHITE	BK-BLACK

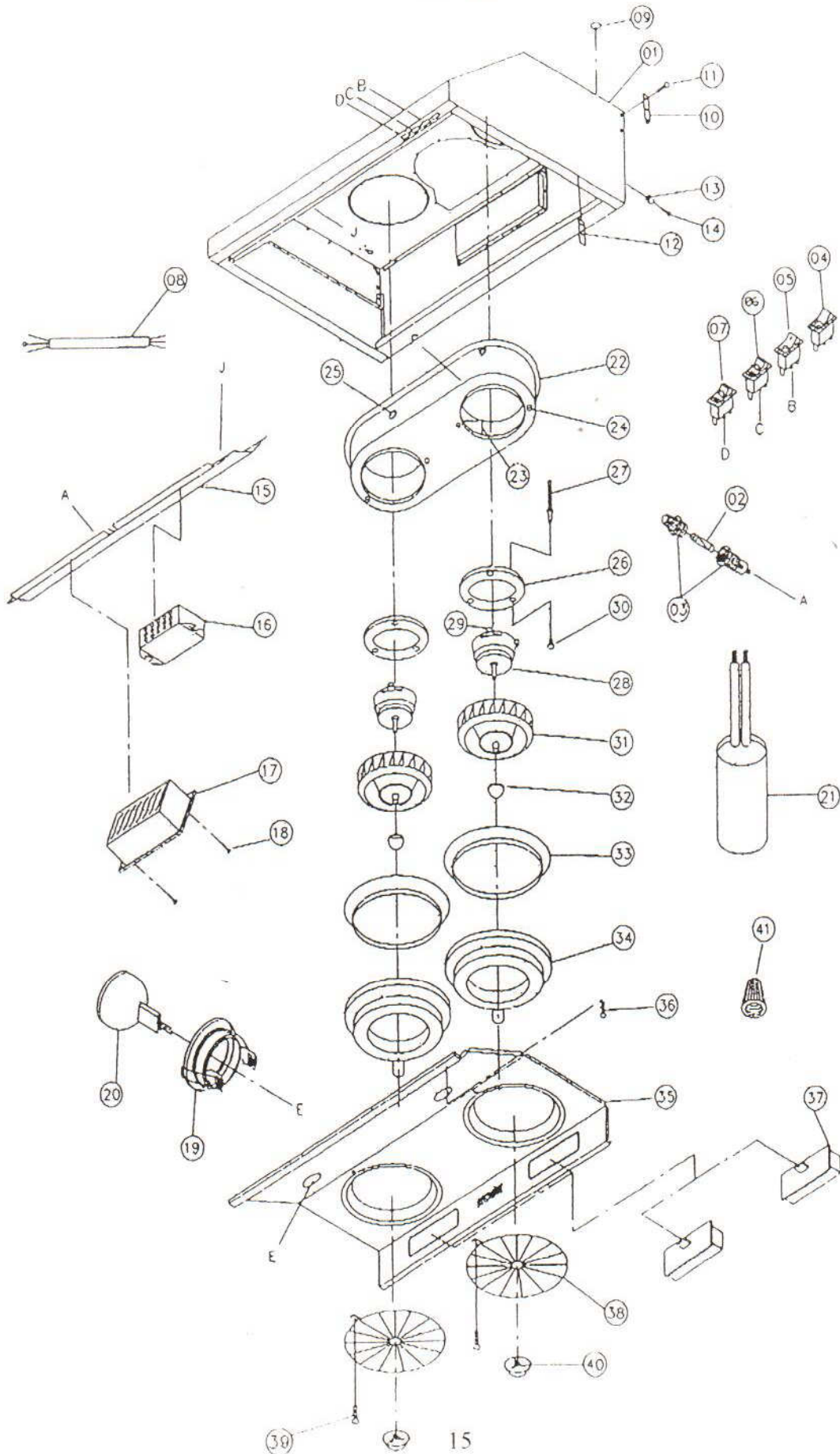
- Circuit Diagram -

Model CH -178 (48")



Y - YELLOW	R - RED
B - BLUE	BR - BROWN
G - GREY	GR - GREEN
W - WHITE	BK - BLACK

-Parts List-



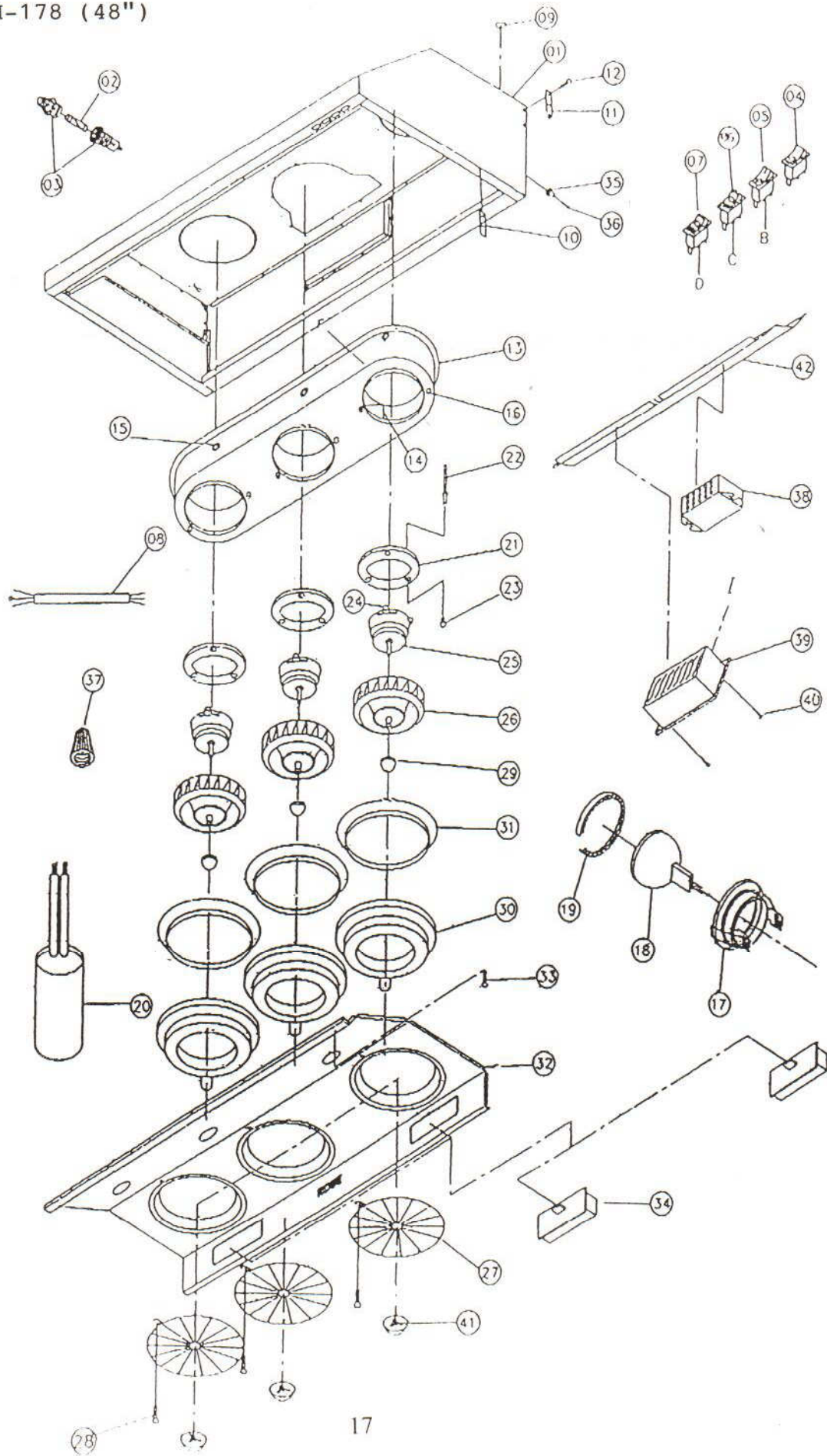
-Parts List-

Model CH -178 (30'' 36'' 42'')

1	Casing	22	Wind Box
2	Fuse	23	Exhaust Wind Tunnel Separate Stand
3	Fuse Housing	24	Oil Tunnel Piece
4	Quiet Mode Switch	25	Line Circle
5	Light Switch	26	Motor Stand
6	Right Control Motor Switch	27	Motor Stand Worn Pin
7	Left Control Motor Switch	28	Motor
8	Input Wire	29	Motor Vibration Seal
9	Wire Hole Rubber	30	Motor Position Screw
10	Hanger	31	Impeller
11	Hanger Screw	32	Impeller Plastic Cover
12	Hanger Ring	33	Oil Tunnel Ring
13	Rubber Stand	34	Oil Tunnel
14	Rubber Position Screw	35	Casing Cover
15	Switch Separate Stand	36	Button Casing Position Screw
16	Transformer	37	Oil Container
17	Quiet Mode PCB Set	38	Impeller Cover
18	Quiet Mode Set Position Screw	39	Impeller Cover Screw
19	Halogen Light Stand	40	Oil Cup for Safety Net
20	Halogen Light	41	Wire Connector
21	Capacitor		

-Parts List-

CH-178 (48")



-Parts List-

Model CH -178(48")

1	Casing	22	Motor Stand Worn Pin
2	Fuse	23	Motor Position Screw
3	Fuse Housing	24	Motor Vibration Seal
4	Quiet Mode Switch	25	Motor
5	Light Switch	26	Impeller
6	Right Control Motor Switch	27	Impeller Cover
7	Left Control Motor Switch	28	Impeller Cover Screw
8	Input Wire	29	Impeller Plastic Cover
9	Wire Hole Rubber	30	Oil Tunnel
10	Hanger	31	Oil Tunnel Ring
11	Hanger Screw	32	Casing Cover
12	Hanger Ring	33	Button Casing Position Screw
13	Wind Box	34	Oil Container
14	Exhaust Wind Tunnel Separate Stand	35	Rubber Stand
15	Line Circle	36	Rubber Position Screw
16	Oil Tunnel Piece	37	Wire Connector
17	Halogen Light Stand	38	Transformer
18	Halogen Light	39	Quiet Mode PCB Set
19	Halogen Light Support Ring	40	Quiet Mode Set Position Screw
20	Capacitor	41	Oil Cup for Safety Net
21	Motor Stand		

- Specification -

Model	:	CH7830, CH7836, CH7842SQ, CH7848SQ
Size	:	30"/ 36"/ 42"/ 48"
Color	:	304 Commercial Grade Stainless Steel (all sizes), White (30"/36), Charcoal Black (30"/36)
Voltage	:	120V 60Hz
Consumption	:	CH7830 - 202W CH7842 - 237W CH7836 - 202W CH7848 - 348W
CFM	:	760 cfm (twin motors) 1,380 cfm (triple motors) (48" only)
Transmit	:	Twin Turbine / Triple Turbine (48" only)
Quiet Mode	:	330 cfm = 1 Sone (38 decibels)
Ducting rear)	:	Patented multiple duct opening – 6", 7", and 3 ¼" x 10" (top and rear) For (48") has two top ducts of 6", 7", and 3 ¼" x 10"
Light	:	Halogen Light - 12V 20Watts
Body Dimension (WxDxH)	:	29 ¾" x 21" x 9" (30") / 35 ¾" x 21" x 9" (36") 41 ¾" x 21" x 9" (42") / 47 ¾" x 21" x 9" (48")
Packing Dimension (WxDxH)	:	32 ½" x 24 ½" x 11 5/8" (30") / 38 ½" x 24 ½" x 11 5/8" (36") 44 ¼" x 24 ½" x 11 5/8" (42") / 50 ¼" x 24 ½" x 11 5/8" (48")
Net Weight	:	33.0 lbs (30") / 36.0 lbs (36") 39.6 lbs (42") / 42.9 lbs (48")
Gross Weight	:	40.0 lbs (30") / 43.3 lbs (36") 45.1 lbs (42") / 48.4 lbs (48")

WARRANTY CERTIFICATE

KOBE Range Hoods warrants all products manufactured or supplied by it to be free from defects in workmanship and materials. Its obligations pursuant to this warranty are limited to a period of two years from the date of purchase and to the repair or replacement at its option and subject to the terms and conditions stated below, of any component part which its examination shall disclose to be so defective.

TWO YEAR WARRANTY SERVICE PERIOD

Any covered failure occurring within two years of original purchase arising from defective workmanship or material in manufacture will be repaired (or at our option the unit will be replaced) free of charge by an authorized KOBE Range Hoods Agent or KOBE Range Hoods as applicable. Keep proof of purchase or original invoice handy for inspection.

If the range hood is sold by the original purchaser during the warranty period the new owner is protected until expiration of the original purchaser's warranty.

CONDITIONS

The following conditions apply only in relation to the warranty expressly given in this certificate.

- 1) This warranty applies only:-
 - a) Within U.S.A. and Canada
 - b) To range hoods used for PRIVATE SINGLE FAMILY USE (if used for COMMERCIAL or MULTIPLE FAMILY USE or other purposes, warranty is void).
- 2) Repair of any fault to be provided under this warranty shall not be provided:-
 - a) If the identification number attached to the range hood has been altered, rendered illegible or removed;
 - b) If notice of the defect has not been given within the period applicable;
 - c) For failure of light bulbs or blown fuse;
 - d) For physical damage;
 - e) For surfaces damaged by use of improper chemical cleaning agents;
 - f) If the range hood has been:-
 - i) subject to misuse, abuse, negligence, accident, incorrect installation or failure to follow the operating instructions;
 - ii) connected to improper, inadequate or faulty electricity service or exhaust ducts or flues or operated using incorrect or contaminated lubricants;
 - iii) installed, maintained or operated otherwise than in accordance with the instructions furnished by KOBE Range Hoods including the improper use of detergents, bleaches, cleaners or other additives;
 - g) For damage to the range hood during transit, delivery, installation or removal;
 - h) For damage by or resulting from attempted repairs conducted by anyone other than our Authorized Service Agent.
- 3) The purchaser shall be responsible for any expenses involved in making the range hood readily accessible for servicing and where the range hood is installed outside the main sales territory of the retailer or service territory of the nearest approved KOBE Range Hoods Agent, as applicable, for any traveling expenses and any costs of transporting the range hood or parts thereof to and from the dealer or Service Agent

- 4) The purchaser must produce proof of purchase together with this warranty certificate when making the claim.

DISCLAIMER

- 1) **CAREFULLY INSPECT ALL ITEMS FOR DAMAGES BEFORE ACCEPTING DELIVERY. NOTE ANY DAMAGES ON THE FREIGHT BILL OR EXPRESS RECEIPT, REQUEST SIGNATURE OF THE CARRIER'S AGENT AND KEEP COPY TO SUPPORT YOUR CLAIM.** Upon acceptance by the carrier he/she assumes responsibility for its safe arrival. Damages should be reported to carrier and a claim filed. Failure to do this could result in the carrier refusing to honor your claim. The carrier will furnish you with necessary forms for filing a claim.

DAMAGES CAUSED DURING TRANSIT ARE NOT COVERED UNDER OUR WARRANTY.

- 2) **PLEASE INSPECT CONTENTS OF PACKAGE(S) CAREFULLY UPON RECEIVING!** We must be notified in writing of any damages and/or missing parts within the allocated days upon receipt of package(s). Contact your local KOBE dealer or distributor or call KOBE for the time limit.

CLAIMS WILL NOT BE ACCEPTED AFTER THE ALLOCATED DAYS.

NOTE: This item was thoroughly tested and carefully packed in our factory.

- 3) Products must be returned in good working condition with ALL original parts & documentation packed in ALL original cartons, fillers & shipping cartons. A restocking fee of 25% (may be different at time of return) will be charged for all returned items with any missing parts or documentation.

EXCHANGES OR RETURNS MAY NOT BE ACCEPTED IF ANY PACKAGING IS MISSING.

- 4) **BE SURE TO INSPECT THE HOOD FOR DAMAGES AND DEFECTS BEFORE INSTALLATION.** Appearance flaws of the hood found after installation and not affecting hood performance is not covered under our warranty for returns or exchanges. Service visits not covered under warranty will carry a service charge.

YOUR CLAIM FOR CONCEALED DAMAGE MUST BE REPORTED WITHIN FIFTEEN (15) DAYS OF DELIVERY. YOU MUST BE ABLE TO PROVE UNIT WAS DAMAGED WHEN YOU RECEIVED IT.

A) Before Installation: Return for exchange or refund (please see above for acceptable returns).

B) After Installation: **NO** exchange or refund.

CONSEQUENTIAL DAMAGE

The warrantor is not responsible for any consequential damage. SOME STATES DO NOT ALLOW THE EXCLUSION OF CONSEQUENTIAL DAMAGE SO THE ABOVE EXCLUSION MAY NOT APPLY TO YOU.

IMPLIED WARRANTIES/STATE LAW

Any implied warranties, including the implied warranty of merchantability and fitness for purpose, imposed on the sale by the laws of the state of sale are limited to two years from the date of original purchase. Some states do not allow limitations on the duration of implied warranties. This warranty gives you specific legal rights, and may also have rights which vary from state to state.


SERVICE

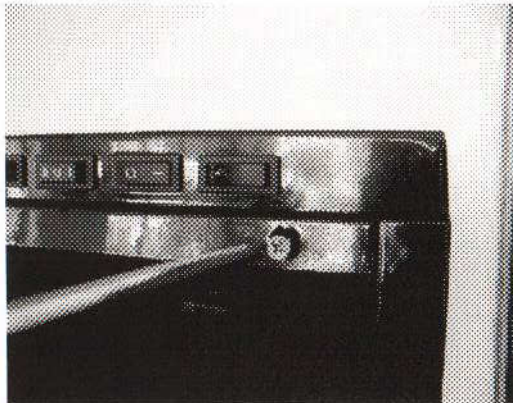
For service contact:

KOBE Range Hoods
1039 South San Gabriel Blvd.,
San Gabriel, CA 91776
Call Toll Free 1-877-BUY-KOBE (1-877-289-5623)
Email: info@koberangehoods.com
www.koberangehoods.com

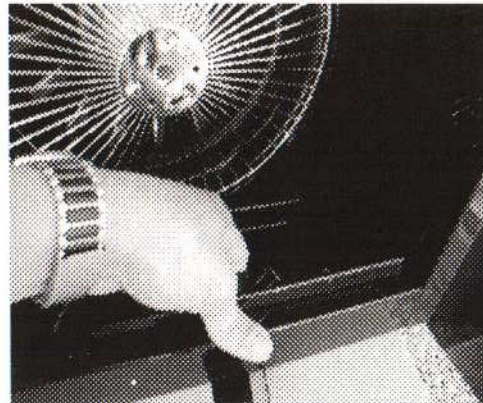
KOBE Range Hoods

HOW TO CHANGE FUSE FOR CH-178 SERIES

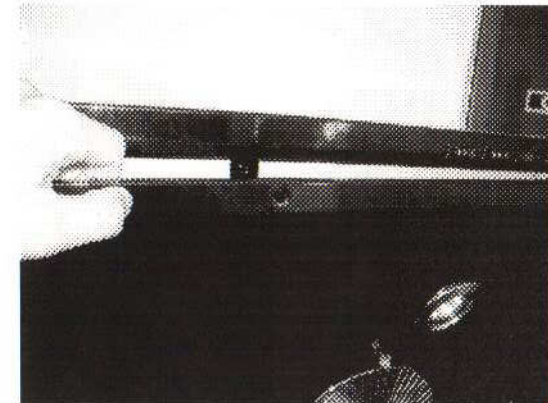
 Caution: To avoid electrical shock unplug range hood first.



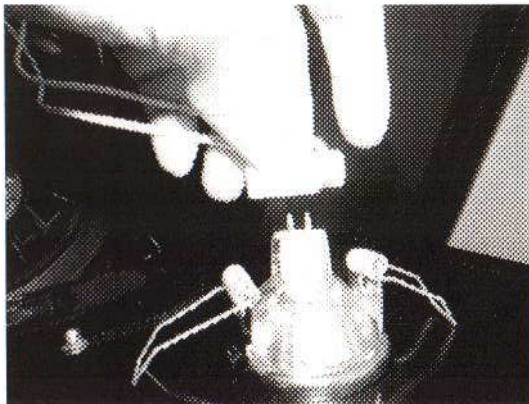
STEP 1: Remove rear oil cups. Unscrew bottom panel



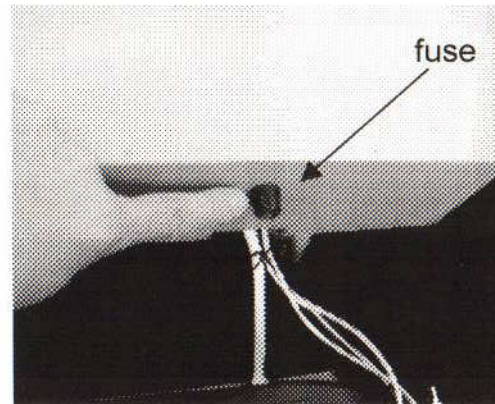
Ste 2: Hold bottom panel while undoing middle screw



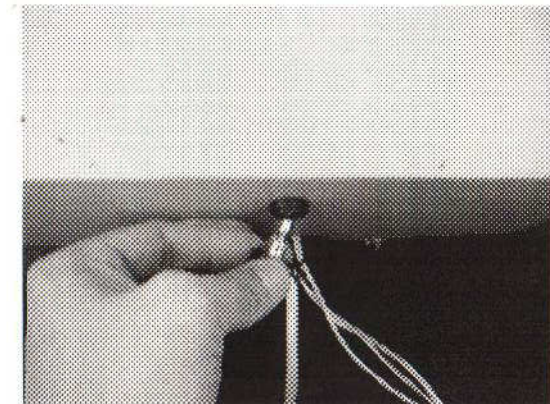
Step 3: Gently pull bottom panel towards you



Step 4: Unplug halogen lights



Step 5: Black knob holding fuse is located



Step 6: Gently turn knob counter clockwise. Discard old fuse, replace with new.

How To Replace Quiet Mode On CH-178 Model

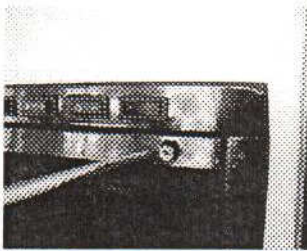


Fig 1: Remove rear oil cups.
Unscrew the bottom casing

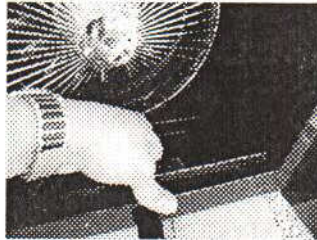


Fig.2: Slightly pull the bottom
panel by holding on rear oil casing.

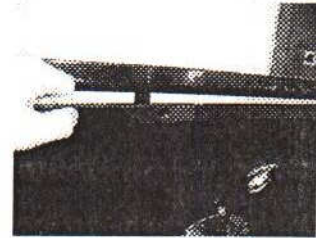


Fig 3: Be careful while
lowering the bottom casing,
edges maybe sharp.

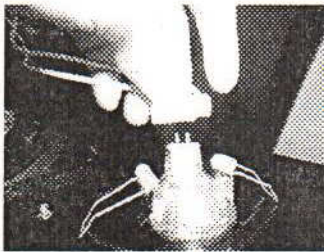


Fig.4: Remove halogen
light bulbs. It may damage
halogen socket during process.

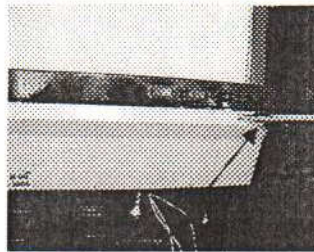


Fig.5: Unscrew steel casing
that holds Quiet Mode Unit.

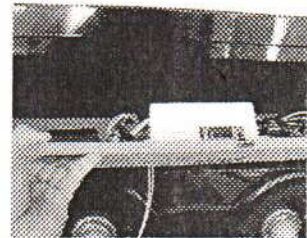


Fig.6: Carefully lower it until
you have a complete access to
Quiet Mode.

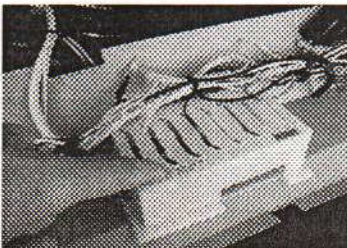


Fig.7: Quiet Mode Unit.

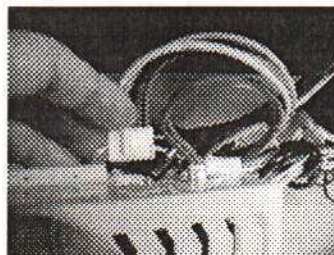
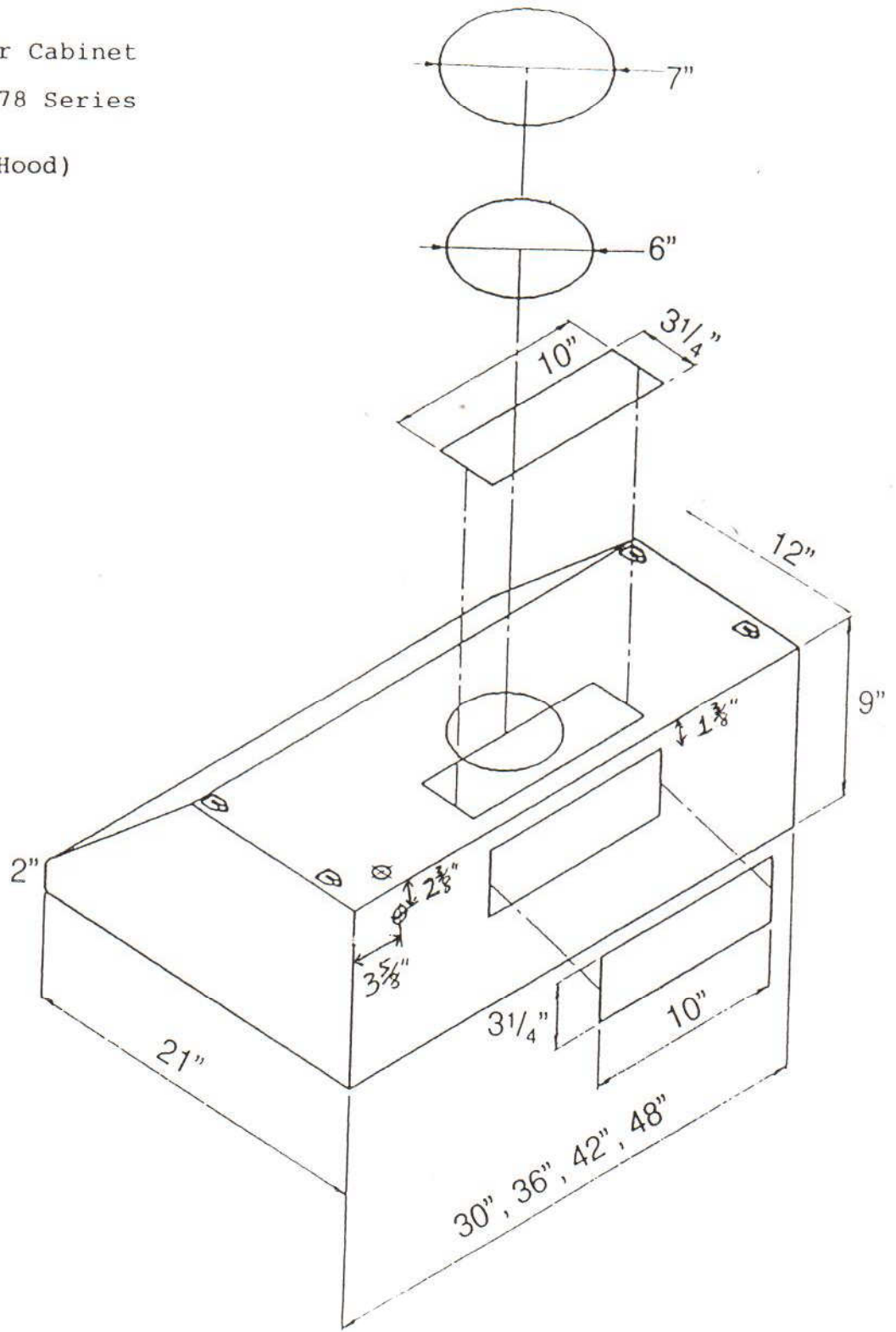


Fig.8: Unplug two wirings attached
to Quiet Mode. Plug wires to the New
unit (Do Not Replace Steel Casing Yet)
and try all switches and settings.
When everything is working you can reattach
Quiet Mode and replace casing and halogen light.

Under Cabinet

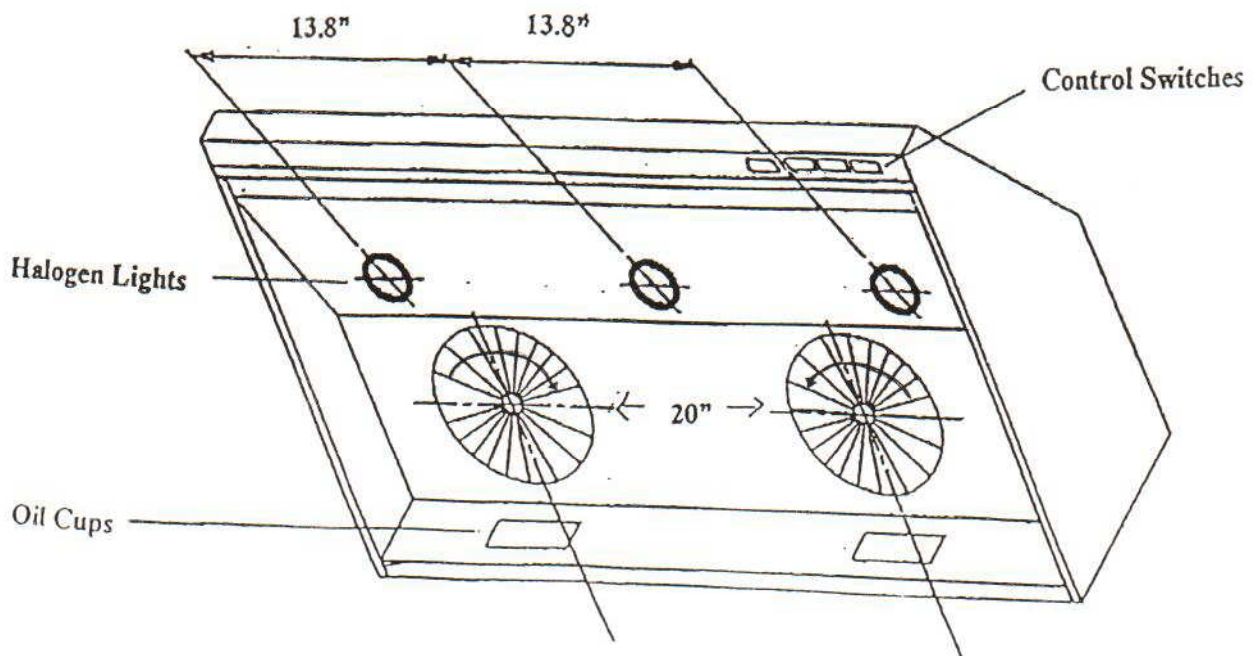
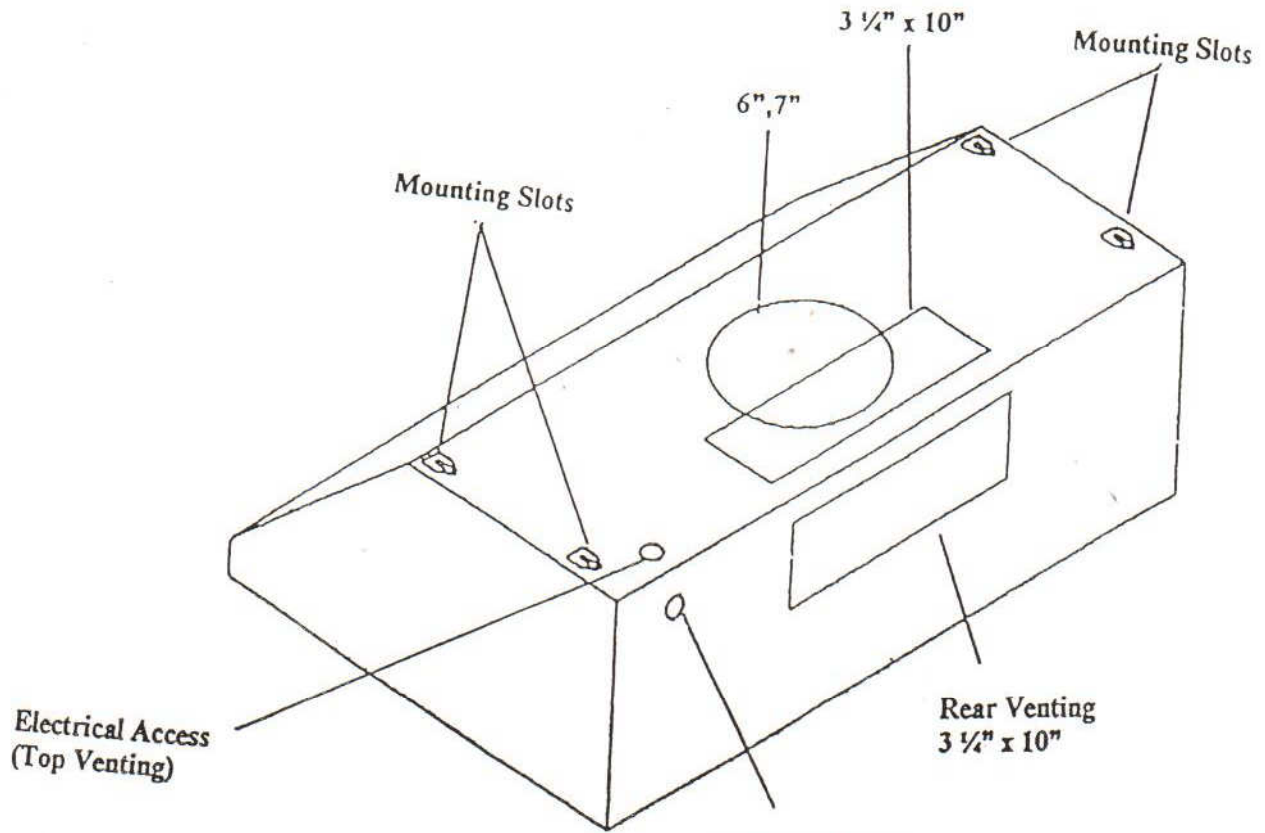
CH-178 Series

(9" Hood)



KOBE Range Hoods

Model: CH-178 Series (9" Hood)
Wall Mount Hood
42" Size



KOBE Range Hoods

Model: CH-178 Series (9" Hood)
Wall Mount Hood
48" Size

